





THE OUTSIDE COMPANY™



Get outside and live your best life

We realize that inside each of us, there is an Outside Side™ — a side begging to get out there, to be outgoing, to break out of our same old inside routines and to outdo ourselves with our outdoor space. At Barrette Outdoor Living, we help your Outside Side run free with products that constantly beckon you out there. We know there is an Outside Side in everyone and we're firm believers that it's our best side because we're The Outside Company™.

Your vision

Your home is more than just a space. It's where you raise a family. It's where friends gather, and seasons come and go. It is a living, breathing picture of your life. With our diverse and flexible range of outdoor living solutions, Barrette Outdoor Living can help you bring any vision to life.

Our mission

Barrette Outdoor Living strives to be the best in product design and innovation, inspired by those who work with and for us to create superior outdoor living solutions both professionals and homeowners demand. At the core of our business is a place where integrity, ingenuity and skill meet.



Our promise to you

At Barrette Outdoor Living, we believe in making things right. We proudly stand behind our products by providing dedicated support, superior customer service and product warranties that feature some of the most comprehensive coverage in the industry. With decades of experience behind us, we are quite confident in the craftsmanship and quality of our products, but we also realize things happen. If that thing happens, we promise to make it right within the constraints of our warranties.



Leading the way



Crafting quality



Making it right



Being responsible

As a leading provider of outdoor living products to the residential market, Barrette Outdoor Living manufactures vinyl, aluminum, steel and composite fencing and railing; composite decking; and other complementary outdoor products. **To learn more, visit us at barretteoutdoorliving.com/warranty.**

VINYL FENCING

Barrette Outdoor Living offers vinyl fencing to meet your every need. With a variety of styles, sizes, colors and accessories — we are sure to have a fence for you. Extremely durable, Barrette Outdoor Living Vinyl Fencing will keep its looks for years to come.



The StaySquare patented gate design with internal gate pockets, provides structural integrity that decreases sagging and bending over the years.



SolarGuard is a material composition that provides fade resistance* so that your outdoor living products will look good for years to come.

**Does not apply to white vinyl products*



StayStraight is a unique material composition within vinyl fence rails that provides structural durability helping to decrease bending or sagging over time*.

**Does not apply to all products.*



Table of Contents

VINYL FENCING

| | |
|---------------------|----|
| SOLID PRIVACY | 10 |
| HORIZONTAL PRIVACY | 26 |
| LOUVERED PRIVACY | 30 |
| MIXED MATERIAL | 31 |
| LATTICE TOP PRIVACY | 33 |
| SPINDLE TOP PRIVACY | 37 |
| SEMI-PRIVACY | 41 |
| PICKET | 58 |
| RANCH RAIL | 72 |

HARDWARE & ACCESSORIES

| | |
|-----------------|----|
| GATE HARDWARE | 78 |
| POSTS & INSERTS | 80 |
| POST CAPS | 81 |
| DROP RODS | 82 |
| LATCHES | 83 |

PRIVACY



Solid Privacy

Decorative 2" x 7" Rail

- 6' x 8' (72" H) 10
- 6' x 8' (70" H) 11
- 6' x 6' (70" H) 12

Solid Privacy

1 3/4" x 7" Rail

- 6' x 8' (72" H) 13
- 5' x 8' 14
- 4' x 8' 15

Solid Privacy

1 3/4" x 5 1/2" Rail

- 6' x 8' (72" H) 16
- 6' x 8' (72" H) Wood Grain 17
- 6' x 8' (70" H) 18
- 5' x 8' 19
- 4' x 8' 20
- 8' x 6' 21
- 6' x 6' (70" H) 22
- 6' x 6' (70" H) Wood Grain 23
- 4' x 6' 24

1 1/2" x 5 1/2" Rail

- 6' x 8' (70" H) Wood Grain 25



Horizontal Privacy

1 3/4" x 7" Rail

- 6' x 6' (70" H) 26
- 6' x 6' (70" H) Wood Grain 27



Horizontal Privacy with DSP

1 3/4" x 7" Rail

- 6' x 6' (70" H) 28
- 6' x 8' (70" H) 29



Louvered Privacy

- 6' x 6' (70" H) 30



Mixed Material Privacy

- 6' x 6' (70" H) 31



Lattice Top Privacy

1 3/4" x 7" Rail

- 6' x 8' (72" H) 33
- 6' x 8' (70" H) 34

Lattice Top Privacy

1 3/4" x 5 1/2" Rail

- 6' x 8' (72" H) 35
- 6' x 6' (70" H) 36



Closed Spindle Top Privacy

1 3/4" x 7" Rail

- 6' x 8' (72" H) 37

Closed Spindle Top Privacy

1 3/4" x 5 1/2" Rail

- 6' x 6' (70" H) 38



Open Spindle Top Privacy

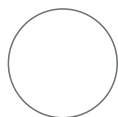
Decorative 2" x 7" Rail

- 6' x 8' (72" H) 39

Open Spindle Top Privacy

1 3/4" x 7" Rail

- 6' x 8' (72" H) 40



White



Sand



Clay



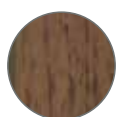
Gray



Cypress



Driftwood



Saddlewood



Redwood



Mesquite



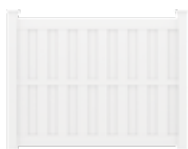
Weathered Aspen



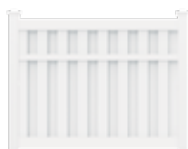
Coastal Cedar

*Not all sizes and styles available in all colors.

SEMI-PRIVACY



Shadowbox with Mid-Rail



Shadowbox Pool Compliant

Shadowbox Semi-Privacy

- 6' x 8' (72" H) 41
- 6' x 8' Pool Code (72" H) 42
- 6' x 6' (70" H) 43
- 6' x 6' Pool Code (70" H) 44
- 4' x 6' (48" H)..... 45



3" Semi-Privacy

- 6' x 8' (72" H) 46
- 4' x 8' 47



6" Semi-Privacy

- 6' x 8' (72" H) 48
- 5' x 8' 49
- 4' x 8' 50
- 6' x 6' (72" H) 51



6" Dog-Ear

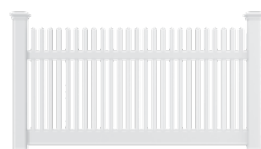
- 6' x 8' (72" H) 52
- 5' x 8' 53
- 4' x 8' 54



6" Dog-Ear Scallop

- 6' x 8' (72" H) 55
- 5' x 8' 56
- 4' x 8' 57

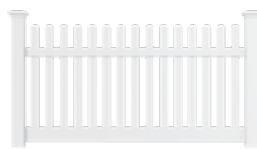
8 FOOT PICKET



Classic Straight Picket

2" x 6" Bottom Rail — 1½" Sq. Pickets

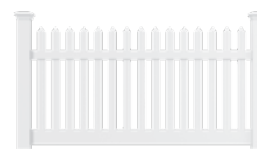
- 6' x 8' (72" H)..... 58
- 5' x 8' 59
- 4' x 8' 60



Dog-Ear Straight Picket

2" x 6" Bottom Rail — 3" Pickets

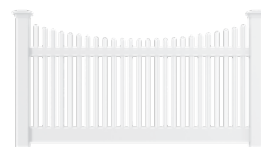
- 5' x 8' 62
- 4' x 8' 63



Spade Straight Picket

2" x 6" Bottom Rail — 3" Pickets

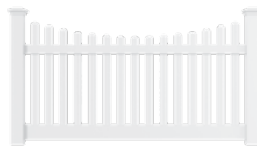
- 4' x 8' 66



Classic Scallop Picket

2" x 6" Bottom Rail — 1½" Sq. Pickets

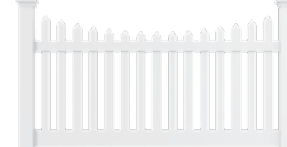
- 4' x 8' 61



Dog-Ear Scallop Picket

2" x 6" Bottom Rail — 3" Pickets

- 5' x 8' 64
- 4' x 8' 65



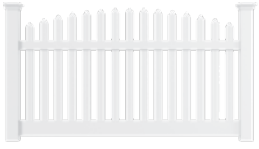
Spade Scallop Picket

2" x 6" Bottom Rail — 3" Pickets

- 4' x 8' 67

TABLE OF CONTENTS

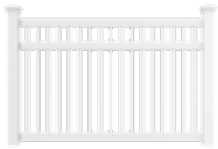
8 FOOT PICKET (continued)



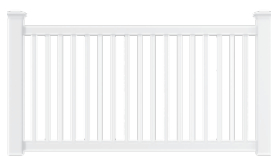
Spade Arched Picket
2" x 6" Bottom Rail — 3" Sq. Pickets
 • 4' x 8' 68



Closed Picket 2 Rail
2" x 3½" Rails — 7/8" x 1½" Pickets
 • 4' x 8' 70



Closed Picket 3 Rail
2" x 3½" Rails — 7/8" x 1½" Pickets
 • 5' x 8' 69



Closed Picket
2" x 3½" Rails — 3" Pickets
 • 4' x 8' 71

RANCH RAIL



2 Rail Ranch Rail
1½" x 5½" Rails 72



4 Rail Ranch Rail
1½" x 5½" Rails 74



2 Rail Diamond Post and Rail
¾" x ¾" Rails 76



3 Rail Ranch Rail
1½" x 5½" Rails 73



Crossbuck Ranch Rail
1½" x 5½" Rails 75



3 Rail Diamond Post and Rail
¾" x ¾" Rails 77

ADDITIONAL ITEMS

4" and 5" Posts 80
 Gate Post Inserts 80
 Rail Inserts 80
 Post Caps 81
 Drop Rods 82

Hinges 82
 Handles 82
 Latches 83
 Fence Warranty 84
 Hardware Warranty 85

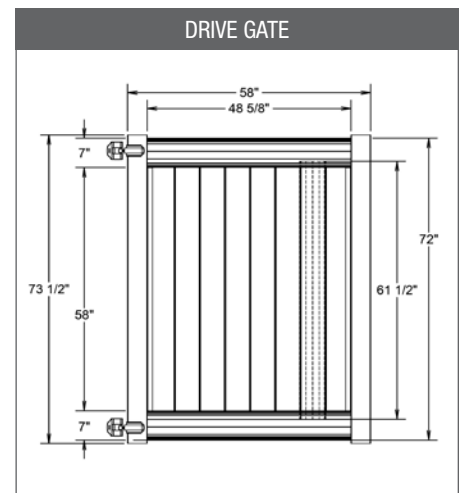
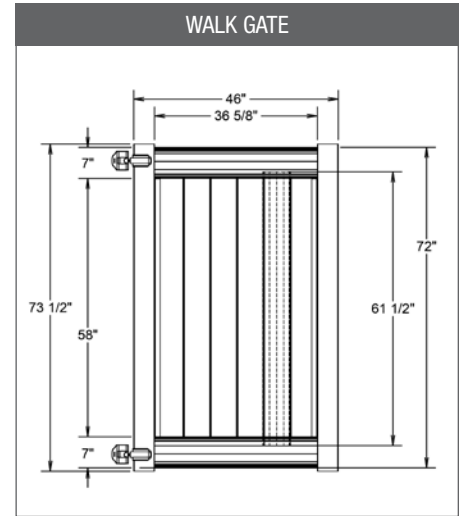
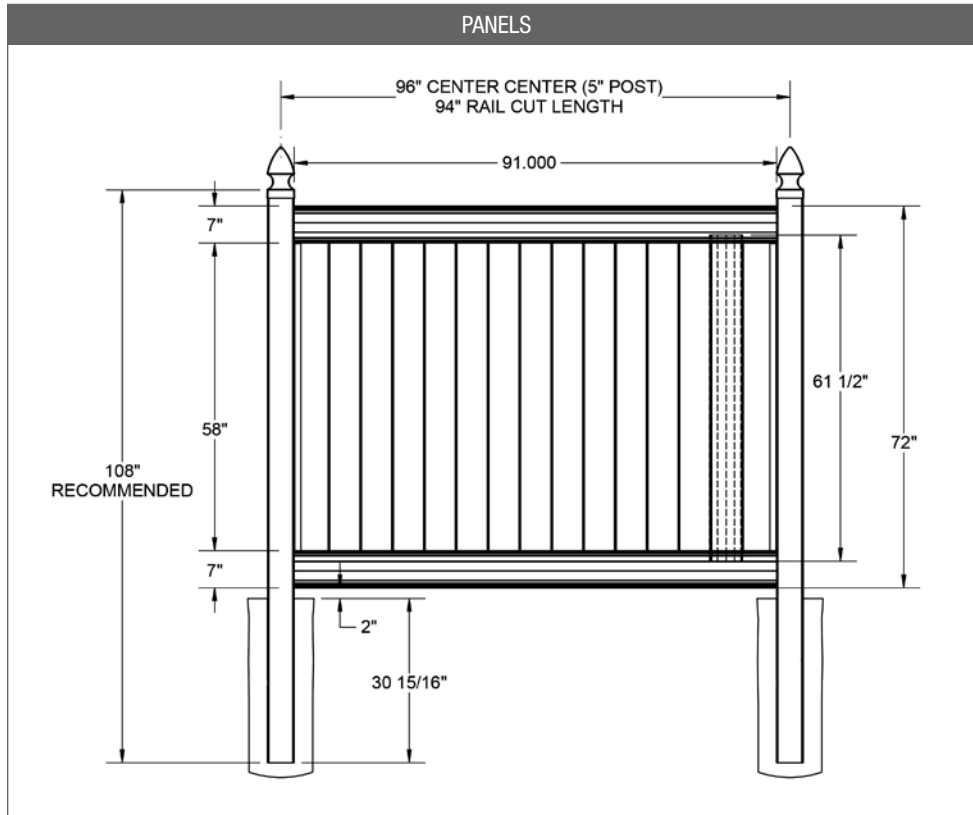
Ordering + Payment 86
 Terms + Conditions 87
 User Guide 88



SOLID PRIVACY

6' H x 8' W • 2" x 7" DECORATIVE RAIL (72" HIGH)

| DESCRIPTION | White | | Sand | | Clay | |
|---|----------|-----|----------|-----|----------|-----|
| | MFG# | QTY | MFG# | QTY | MFG# | QTY |
| 6' x 8' Solid Privacy Panel (72") | 73040003 | | 73040009 | | 73053820 | |
| 5" x 5" x 108" Line Post | 73025999 | | 73028002 | | 73053887 | |
| 5" x 5" x 108" Corner Post | 73028000 | | 73028003 | | 73053885 | |
| 5" x 5" x 108" End Post | 73028001 | | 73028004 | | 73053886 | |
| 5" x 5" x 80" Short Bottom Line Post | 73047063 | | 73047064 | | 73047065 | |
| 5" x 5" Pyramid Post Cap | 73003093 | | 73003769 | | 73054107 | |
| 5" x 5" Internal Post Cap | 73007092 | | 73007093 | | 73024884 | |
| 5" x 5" New England Post Cap | 73045003 | | 73045004 | | 73054108 | |
| 6' x 46" Solid Privacy Walk Gate (72") | 73040007 | | 73040023 | | 73053817 | |
| 6' x 58" Solid Privacy Drive Gate (72") | 73040008 | | 73040024 | | 73053818 | |



| FENCE PANEL COMPONENTS | |
|-------------------------------------|-----|
| DESCRIPTION | QTY |
| 2" x 7" x 94" Rails | 2 |
| 7/8" x 6' x 61 1/2" Boards T&G | 15 |
| 1.02" x 1.379" x 58 1/4" U-Channels | 2 |

| HARDWARE | Black |
|--|----------|
| | SKU |
| Heavy-Duty Contemporary Wrap Hinge | 73014300 |
| Gate Handle | 73014320 |
| Gate Stop | 73014321 |
| 24" Heavy-Duty Drop Rod | 73014305 |
| Locking Gravity Latch 2-Sided Key Access | 73050187 |
| 5" x 5" x 106" Gate Post Insert | 73003463 |

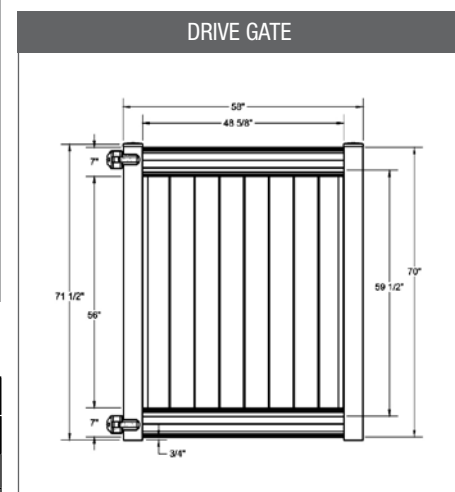
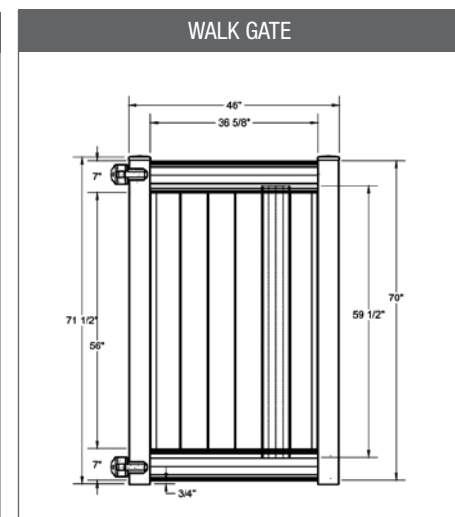
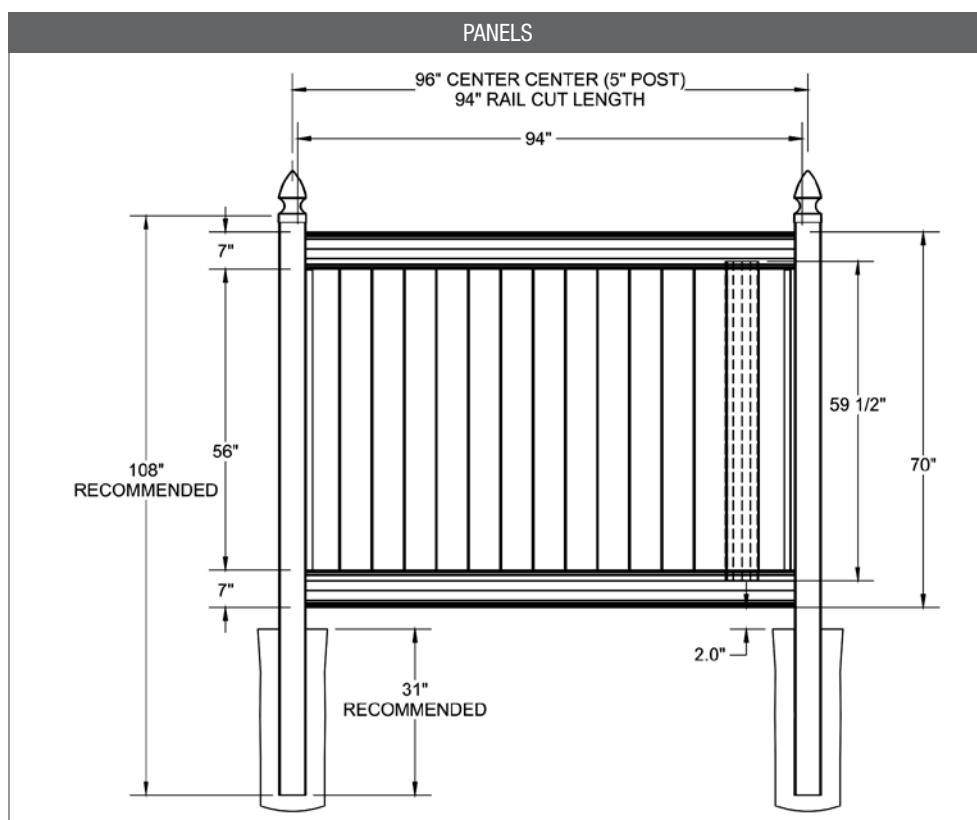


Rail Profile



6' H x 8' W • 2" x 7" DECORATIVE RAIL (70" HIGH)

| DESCRIPTION | White | | Sand | | Clay | |
|---|----------|-----|----------|-----|----------|-----|
| | MFG# | QTY | MFG# | QTY | MFG# | QTY |
| 6' x 8' Solid Privacy Panel (70") | 73025329 | | 73025330 | | 73053948 | |
| 5" x 5" x 108" Line Post | 73025175 | | 73025193 | | 73053944 | |
| 5" x 5" x 108" Corner Post | 73025176 | | 73025195 | | 73053945 | |
| 5" x 5" x 108" End Post | 73025177 | | 73025194 | | 73053946 | |
| 5" x 5" Pyramid Post Cap | 73003093 | | 73003769 | | 73054107 | |
| 5" x 5" Internal Post Cap | 73007092 | | 73007093 | | 73024884 | |
| 5" x 5" New England Post Cap | 73045003 | | 73045004 | | 73054108 | |
| 6' x 46" Solid Privacy Walk Gate (70") | 73025332 | | 73025333 | | 73053942 | |
| 6' x 58" Solid Privacy Drive Gate (70") | 73025335 | | 73025336 | | 73053943 | |



| FENCE PANEL COMPONENTS | |
|-------------------------------------|-----|
| DESCRIPTION | QTY |
| 2" x 7" x 94" Rails | 2 |
| 7/8" x 6' x 59 1/2" Boards T&G | 15 |
| 1.02" x 1.379" x 56 1/4" U-Channels | 2 |

| HARDWARE | Black |
|--|----------|
| | SKU |
| Heavy-Duty Contemporary Wrap Hinge | 73014300 |
| Gate Handle | 73014320 |
| Gate Stop | 73014321 |
| 24" Heavy-Duty Drop Rod | 73014305 |
| Locking Gravity Latch 2-Sided Key Access | 73050187 |
| 5" x 5" x 106" Gate Post Insert | 73003463 |



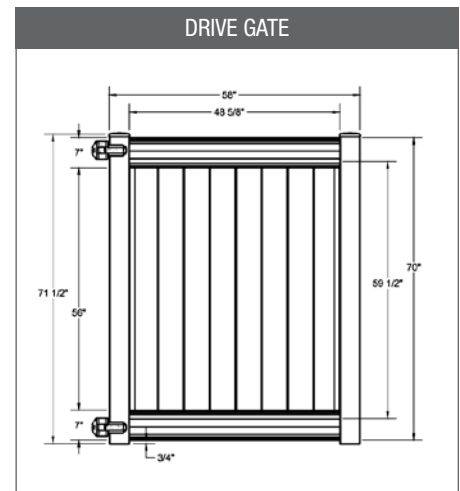
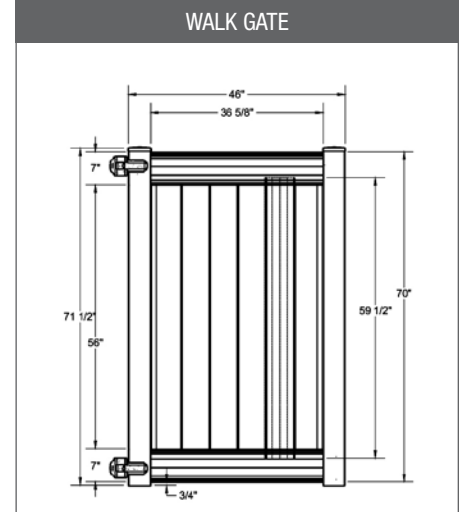
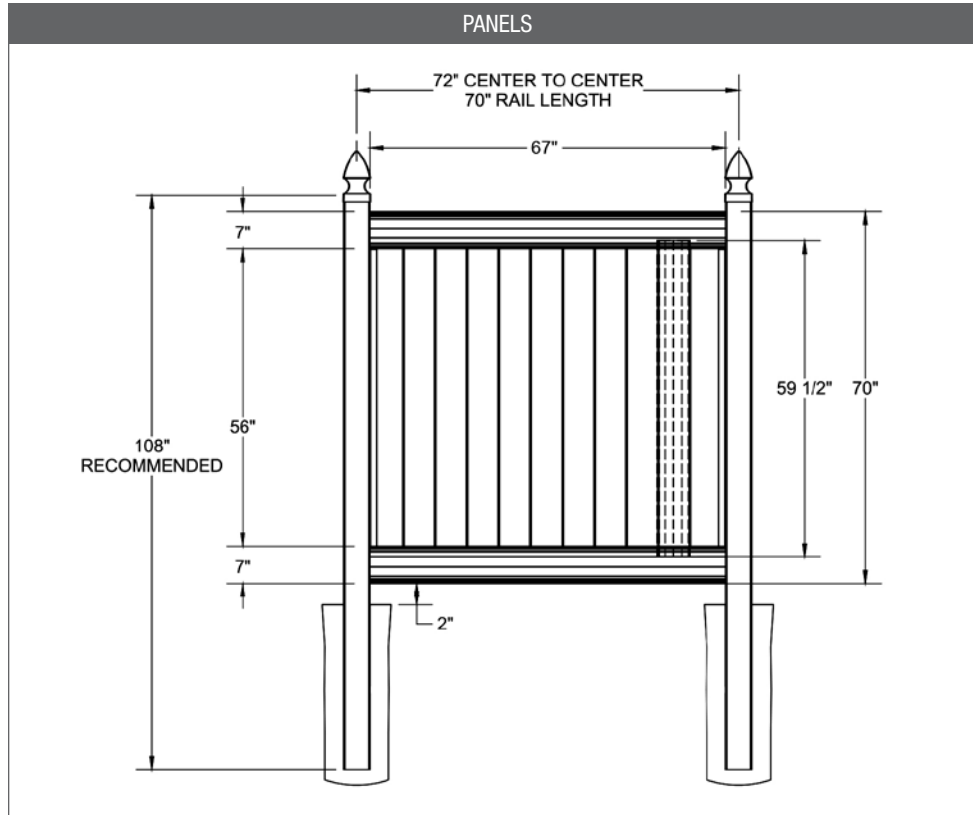
Rail Profile



SOLID PRIVACY

6' H x 6' W • 2" x 7" DECORATIVE RAIL (70" HIGH)

| DESCRIPTION | White | | Sand | | Clay | |
|---|----------|-----|----------|-----|----------|-----|
| | MFG# | QTY | MFG# | QTY | MFG# | QTY |
| 6' x 6' Solid Privacy Panel (70") | 73025326 | | 73025327 | | 73053949 | |
| 5" x 5" x 108" Line Post | 73025175 | | 73025193 | | 73053944 | |
| 5" x 5" x 108" Corner Post | 73025176 | | 73025195 | | 73053945 | |
| 5" x 5" x 108" End Post | 73025177 | | 73025194 | | 73053946 | |
| 5" x 5" Pyramid Post Cap | 73003093 | | 73003769 | | 73054107 | |
| 5" x 5" Internal Post Cap | 73007092 | | 73007093 | | 73024884 | |
| 5" x 5" New England Post Cap | 73045003 | | 73045004 | | 73054108 | |
| 6' x 46" Solid Privacy Walk Gate (70") | 73025332 | | 73025333 | | 73053942 | |
| 6' x 58" Solid Privacy Drive Gate (70") | 73025335 | | 73025336 | | 73053943 | |



| FENCE PANEL COMPONENTS | |
|-------------------------------------|-----|
| DESCRIPTION | QTY |
| 2" x 7" x 70" Rails | 2 |
| 7/8" x 6' x 59 1/2" Boards T&G | 15 |
| 1.02" x 1.379" x 56 1/4" U-Channels | 2 |

| HARDWARE | Black |
|--|----------|
| | SKU |
| Heavy-Duty Contemporary Wrap Hinge | 73014300 |
| Gate Handle | 73014320 |
| Gate Stop | 73014321 |
| 24" Heavy-Duty Drop Rod | 73014305 |
| Locking Gravity Latch 2-Sided Key Access | 73050187 |
| 5" x 5" x 106" Gate Post Insert | 73003463 |

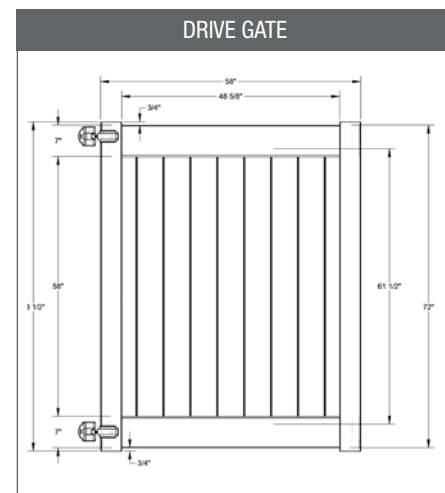
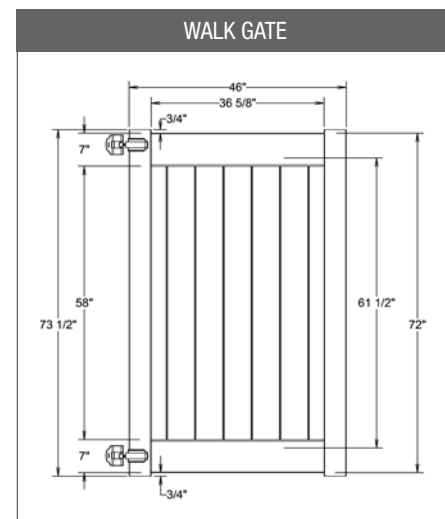
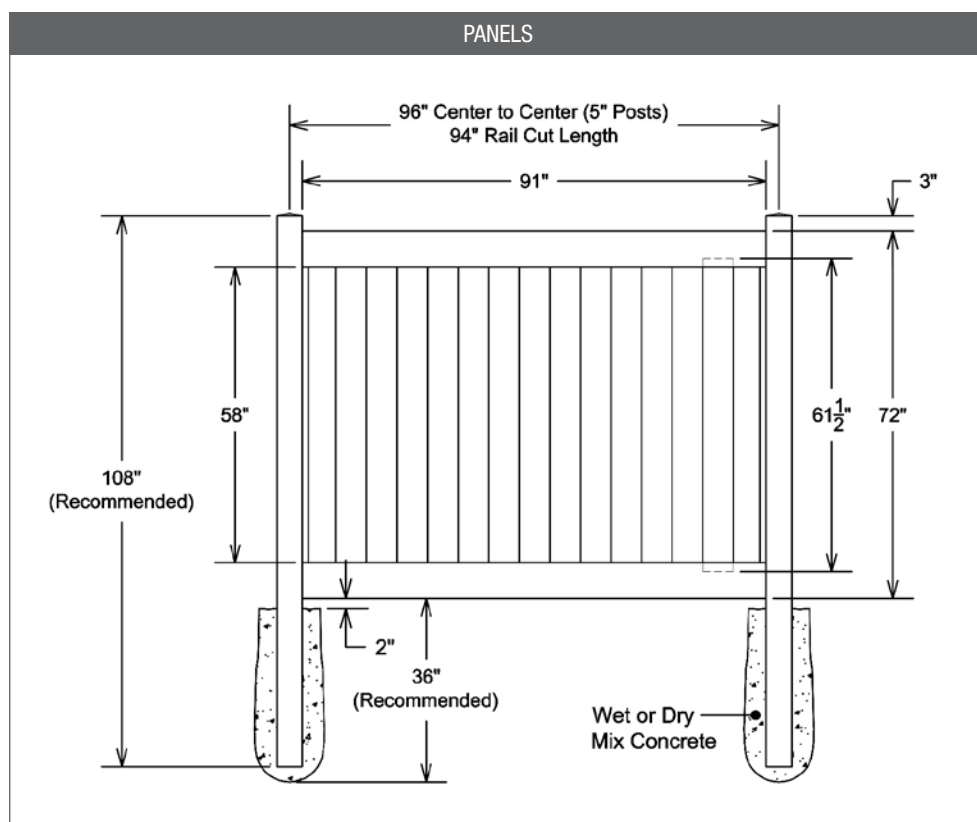


Rail Profile



6' H x 8' W • 1 3/4" x 7" RAIL (72" HIGH)

| DESCRIPTION | White | | Sand | | Clay | |
|---|----------|-----|----------|-----|----------|-----|
| | MFG# | QTY | MFG# | QTY | MFG# | QTY |
| 6' x 8' Solid Privacy Panel (72") | 73013794 | | 73014127 | | 73054022 | |
| 5" x 5" x 108" Line Post | 73013726 | | 73014133 | | 73054016 | |
| 5" x 5" x 108" Corner Post | 73013724 | | 73014131 | | 73054019 | |
| 5" x 5" x 108" End Post | 73013725 | | 73014132 | | 73054015 | |
| 5" x 5" x 80" Short Bottom Line Post | 73047060 | | 73047061 | | 73054018 | |
| 5" x 5" Pyramid Post Cap | 73003093 | | 73003769 | | 73054107 | |
| 5" x 5" Internal Post Cap | 73007092 | | 73007093 | | 73024884 | |
| 5" x 5" New England Post Cap | 73045003 | | 73045004 | | 73054108 | |
| 6' x 46" Solid Privacy Walk Gate (72") | 73014797 | | 73014799 | | 73054331 | |
| 6' x 58" Solid Privacy Drive Gate (72") | 73014798 | | 73014832 | | 73054332 | |



| FENCE PANEL COMPONENTS | |
|--------------------------------|-----|
| DESCRIPTION | QTY |
| 1 3/4" x 7" x 94" Rails | 2 |
| 7/8" x 6' x 61 1/2" Boards T&G | 15 |
| 57/8" U-Channels | 2 |

| Also Available With White Rails and Sand Infill | MFG# |
|--|----------|
| 6' x 8' White with Sand Infill Panel (72"), | 73024519 |
| 6' x 46" White with Sand Infill Walk Gate (72") | 73025002 |
| 6' x 58" White with Sand Infill Drive Gate (72") | 73025003 |

| HARDWARE | Black |
|--|----------|
| | SKU |
| Heavy-Duty Contemporary Wrap Hinge | 73014300 |
| Gate Handle | 73014320 |
| Gate Stop | 73014321 |
| 24" Heavy-Duty Drop Rod | 73014305 |
| Locking Gravity Latch 2-Sided Key Access | 73050187 |
| 5" x 5" x 106" Gate Post Insert | 73003463 |



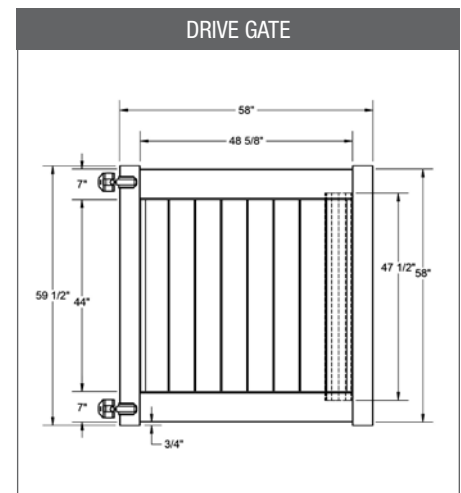
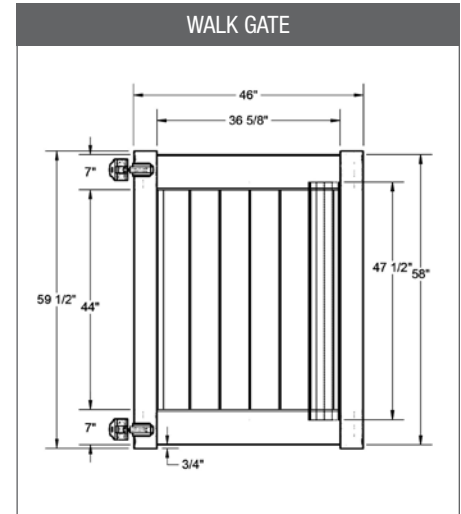
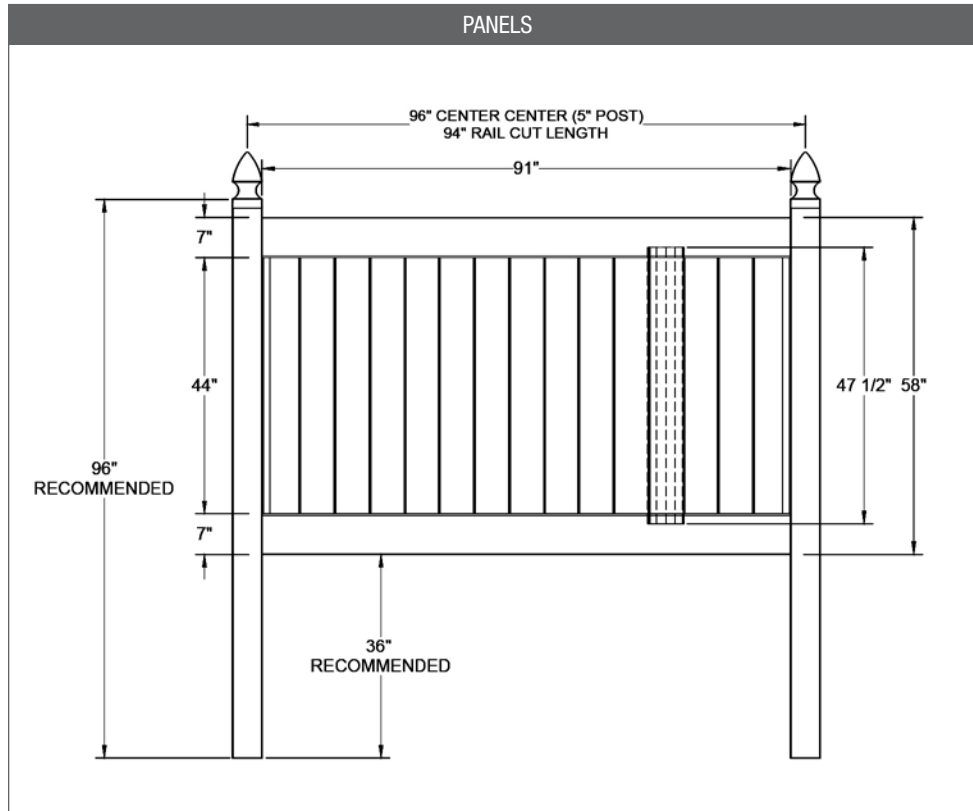
Rail Profile



SOLID PRIVACY

5' H x 8' W • 1 3/4" x 7" RAIL

| DESCRIPTION | White | | Sand | | Clay | |
|-----------------------------------|----------|-----|----------|-----|----------|-----|
| | MFG# | QTY | MFG# | QTY | MFG# | QTY |
| 5' x 8' Solid Privacy Panel | 73014721 | | 73014722 | | 73054030 | |
| 5" x 5" x 96" Line Post | 73024002 | | 73024005 | | 73054027 | |
| 5" x 5" x 96" Corner Post | 73024004 | | 73024007 | | 73054028 | |
| 5" x 5" x 96" End Post | 73024003 | | 73024006 | | 73054029 | |
| 5" x 5" Pyramid Post Cap | 73003093 | | 73003769 | | 73054107 | |
| 5" x 5" Internal Post Cap | 73007092 | | 73007093 | | 73024884 | |
| 5" x 5" New England Post Cap | 73045003 | | 73045004 | | 73054108 | |
| 5' x 46" Solid Privacy Walk Gate | 73025004 | | 73025010 | | 73054025 | |
| 5' x 58" Solid Privacy Drive Gate | 73025005 | | 73025011 | | 73054026 | |



| FENCE PANEL COMPONENTS | |
|--------------------------------|-----|
| DESCRIPTION | QTY |
| 1 3/4" x 7" x 94" Rails | 2 |
| 7/8" x 6' x 47 1/2" Boards T&G | 15 |
| 44 7/8" U-Channels | 2 |

| HARDWARE | Black |
|--|----------|
| | SKU |
| Heavy-Duty Contemporary Wrap Hinge | 73014300 |
| Gate Handle | 73014320 |
| Gate Stop | 73014321 |
| 24" Heavy-Duty Drop Rod | 73014305 |
| Locking Gravity Latch 2-Sided Key Access | 73050187 |
| 5" x 5" x 94" Gate Post Insert | 73012353 |

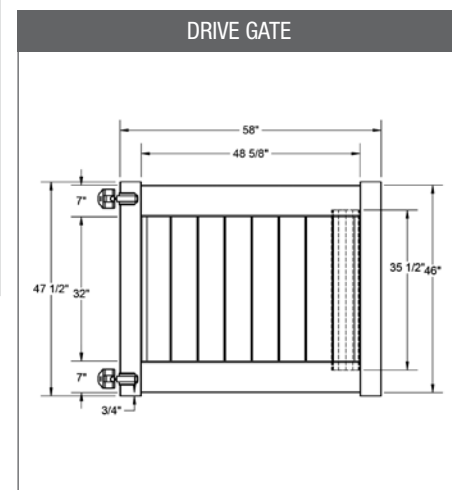
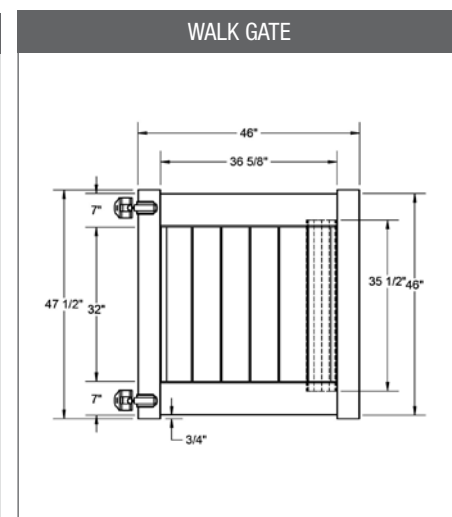
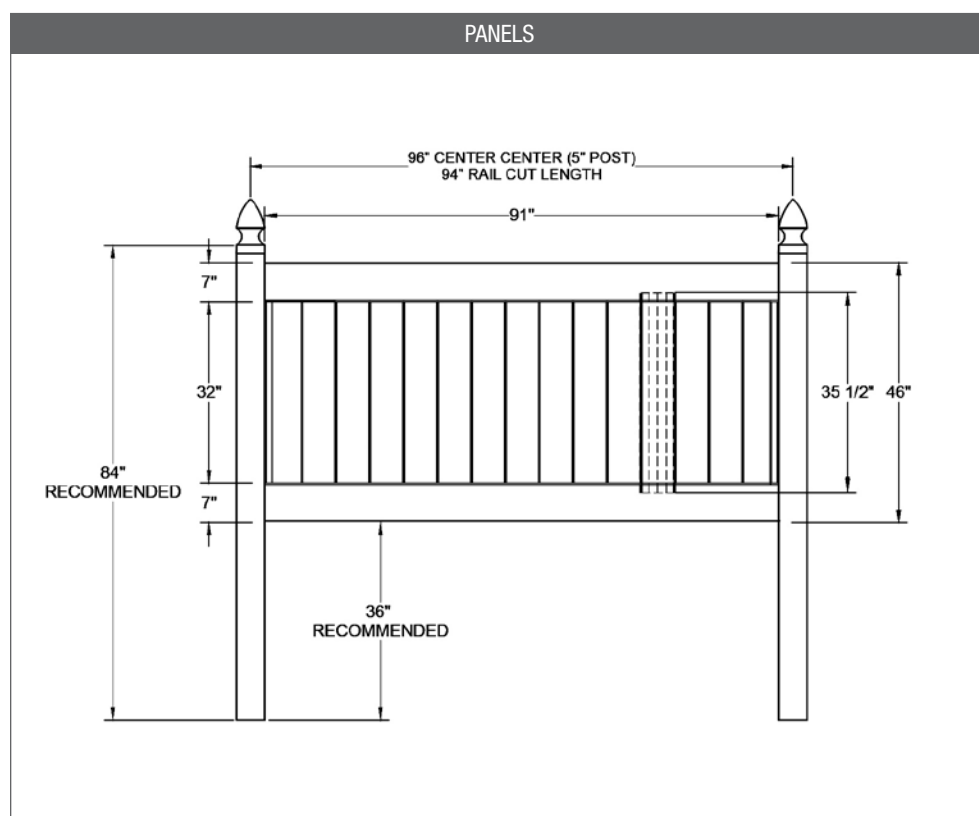


Rail Profile



4' H x 8' W • 1 3/4" x 7" RAIL

| DESCRIPTION | White | | Sand | | Clay | |
|-----------------------------------|----------|-----|----------|-----|----------|-----|
| | MFG# | QTY | MFG# | QTY | MFG# | QTY |
| 4' x 8' Solid Privacy Panel | 73014719 | | 73014720 | | 73054040 | |
| 5" x 5" x 84" Line Post | 73014896 | | 73014899 | | 73054036 | |
| 5" x 5" x 84" Corner Post | 73014898 | | 73024001 | | 73054038 | |
| 5" x 5" x 84" End Post | 73014897 | | 73024000 | | 73054037 | |
| 5" x 5" Pyramid Post Cap | 73003093 | | 73003769 | | 73054107 | |
| 5" x 5" Internal Post Cap | 73007092 | | 73007093 | | 73024884 | |
| 5" x 5" New England Post Cap | 73045003 | | 73045004 | | 73054108 | |
| 4' x 46" Solid Privacy Walk Gate | 73025006 | | 73025012 | | 73054035 | |
| 4' x 58" Solid Privacy Drive Gate | 73025007 | | 73025013 | | 73054034 | |



| FENCE PANEL COMPONENTS | |
|----------------------------|-----|
| DESCRIPTION | QTY |
| 1 3/4" x 7" x 94" Rail | 2 |
| 7/8" x 6' x 38" Boards T&G | 15 |
| 35 7/8" U-Channels | 2 |

| HARDWARE | Black |
|--|----------|
| | SKU |
| Heavy-Duty Contemporary Wrap Hinge | 73014300 |
| Gate Handle | 73014320 |
| Gate Stop | 73014321 |
| 24" Heavy-Duty Drop Rod | 73014305 |
| Locking Gravity Latch 2-Sided Key Access | 73050187 |
| 5" x 5" x 82" Gate Post Insert | 73003718 |



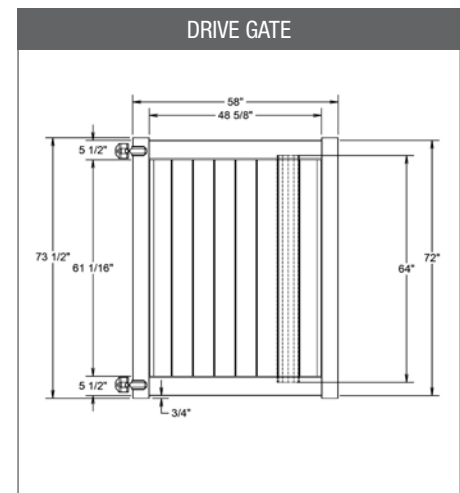
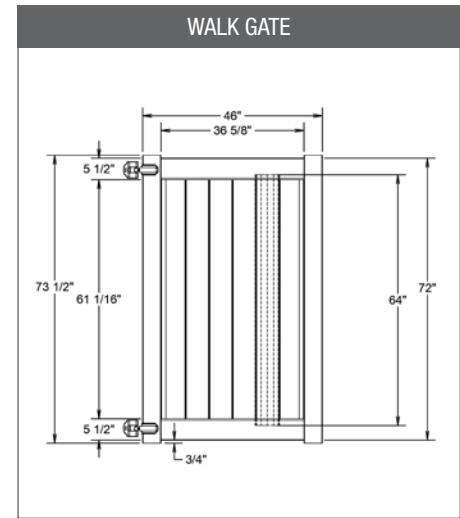
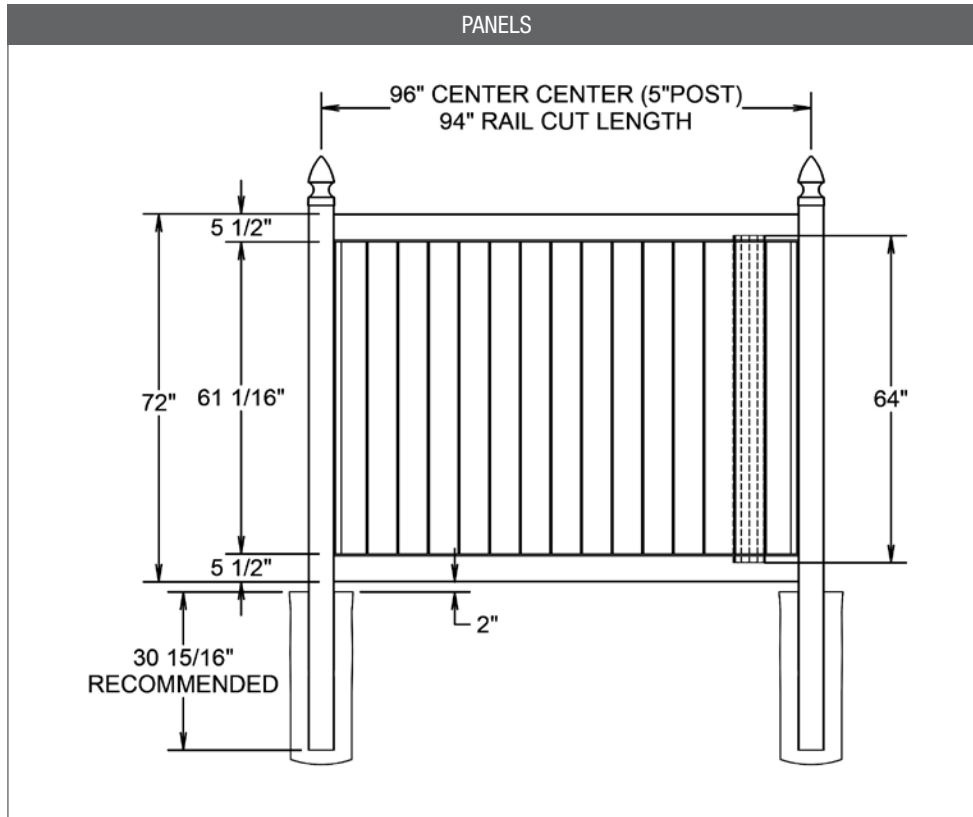
Rail Profile



SOLID PRIVACY

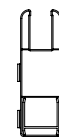
6' H x 8' W • 1 3/4" x 5 1/2" RAIL (72" HIGH)

| DESCRIPTION | White | | Sand | | Clay | | Gray | |
|--------------------------------------|----------|-----|----------|-----|----------|-----|----------|-----|
| | MFG# | QTY | MFG# | QTY | MFG# | QTY | MFG# | QTY |
| 6' x 8' Solid Privacy Panel (72") | 73040194 | | 73040200 | | 73053853 | | 73055109 | |
| 5" x 5" x 108" Line Post | 73040195 | | 73040201 | | 73053848 | | 73055110 | |
| 5" x 5" x 108" Corner Post | 73040196 | | 73040203 | | 73053849 | | 73055111 | |
| 5" x 5" x 108" End Post | 73040197 | | 73040202 | | 73053850 | | 73055112 | |
| 5" x 5" x 80" Short Bottom Line Post | 73047055 | | 73047056 | | 73047057 | | N/A | |
| 5" x 5" Pyramid Post Cap | 73003093 | | 73003769 | | 73054107 | | 73053068 | |
| 5" x 5" Internal Post Cap | 73007092 | | 73007093 | | 73024884 | | N/A | |
| 5" x 5" New England Post Cap | 73045003 | | 73045004 | | 73054108 | | 73053093 | |
| 6' x 46" Solid Privacy Walk Gate | 73040198 | | 73040204 | | 73053815 | | 73055113 | |
| 6' x 58" Solid Privacy Drive Gate | 73040199 | | 73040205 | | 73053816 | | 73055114 | |



| FENCE PANEL COMPONENTS | |
|-------------------------------------|-----|
| DESCRIPTION | QTY |
| 1 3/4" x 5 1/2" x 94" Rails | 2 |
| 7/8" x 6' x 64" Boards T&G | 15 |
| 1.02" x 1.379" x 61 1/2" U-Channels | 2 |

| HARDWARE | Black |
|--|----------|
| | SKU |
| Heavy-Duty Contemporary Wrap Hinge | 73014300 |
| Gate Handle | 73014320 |
| Gate Stop | 73014321 |
| 24" Heavy-Duty Drop Rod | 73014305 |
| Locking Gravity Latch 2-Sided Key Access | 73050187 |
| 5" x 5" x 106" Gate Post Insert | 73003463 |

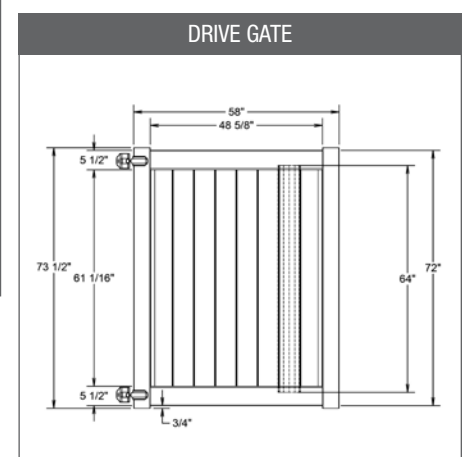
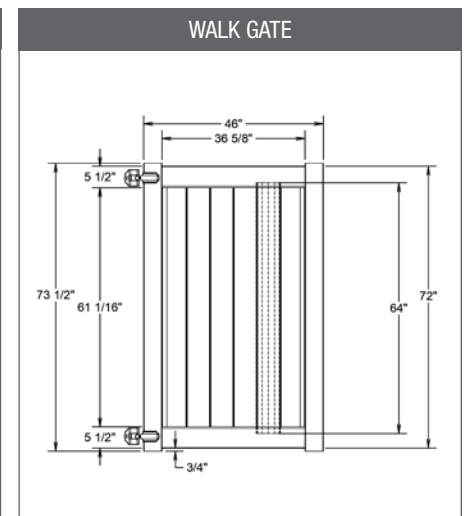
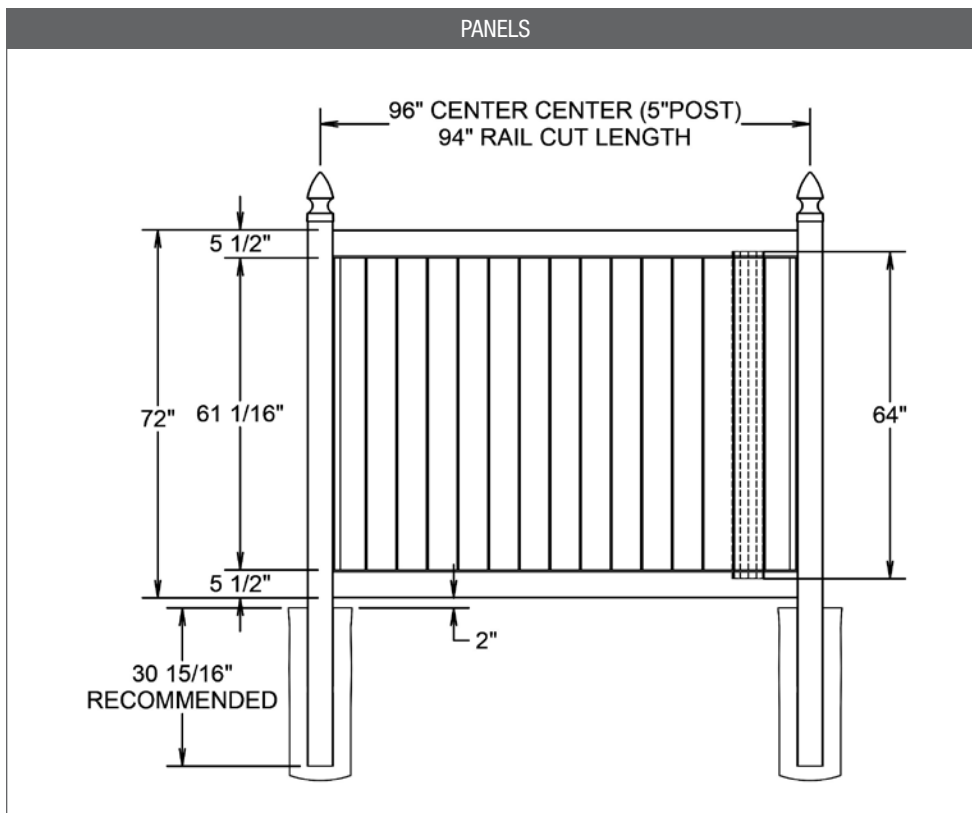


Rail Profile



6' H x 8' W • 1 3/4" x 5 1/2" RAIL • WOOD GRAIN (72" HIGH)

| DESCRIPTION | Cypress | | Driftwood | |
|--|----------|-----|-----------|-----|
| | MFG# | QTY | MFG# | QTY |
| 6' x 8' Solid Privacy Wood Grain Panel (72") | 73043089 | | 73025733 | |
| 5" x 5" x 108" Line Post | 73043900 | | 73025740 | |
| 5" x 5" x 108" Corner Post | 73043901 | | 73025736 | |
| 5" x 5" x 108" End Post | 73043902 | | 73025738 | |
| 5" x 5" x 108" Blank Post | 73013858 | | 73042814 | |
| 5" x 5" x 80" Short Bottom Line Post | 73047058 | | 73047059 | |
| 5" x 5" Pyramid Post Cap | 73013829 | | 73042811 | |
| 5" x 5" Internal Post Cap | 73013827 | | 73042812 | |
| 5" x 5" New England Post Cap | 73045007 | | 73045008 | |
| 6' x 46" Solid Privacy Wood Grain Walk Gate | 73043903 | | 73025734 | |
| 6' x 58" Solid Privacy Wood Grain Drive Gate | 73043904 | | 73025730 | |



| FENCE PANEL COMPONENTS | |
|-------------------------------------|-----|
| DESCRIPTION | QTY |
| 1 3/4" x 5 1/2" x 94" Rail | 2 |
| 7/8" x 6' x 64" Boards T&G | 15 |
| 1.02" x 1.379" x 61 1/2" U-Channels | 2 |

| HARDWARE | Black |
|--|----------|
| | SKU |
| Heavy-Duty Contemporary Wrap Hinge | 73014300 |
| Gate Handle | 73014320 |
| Gate Stop | 73014321 |
| 24" Heavy-Duty Drop Rod | 73014305 |
| Locking Gravity Latch 2-Sided Key Access | 73050187 |
| 5" x 5" x 106" Gate Post Insert | 73003463 |



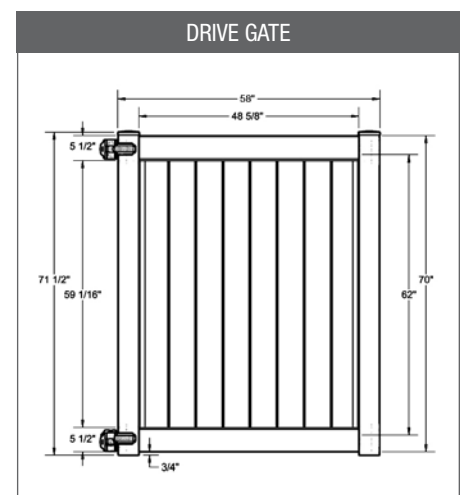
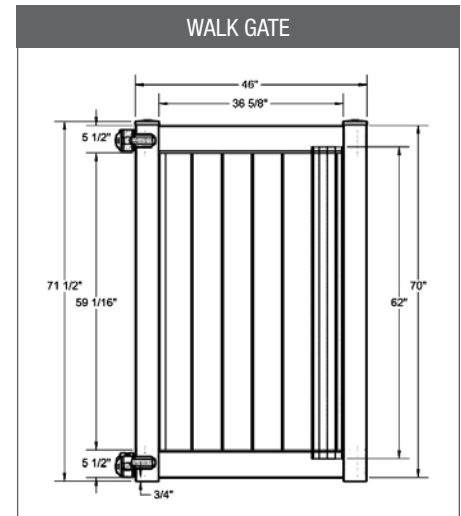
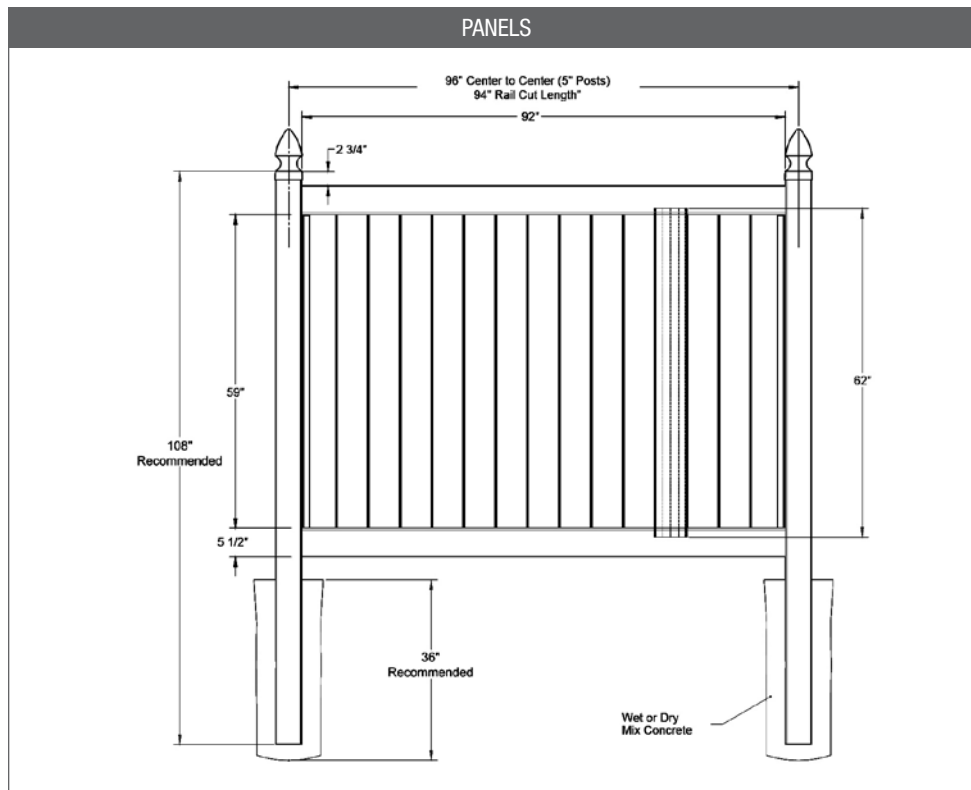
Rail Profile



SOLID PRIVACY

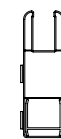
6' H x 8' W • 1 3/4" x 5 1/2" RAIL (70" HIGH)

| DESCRIPTION | White | | Sand | | Clay | |
|--|----------|-----|----------|-----|----------|-----|
| | MFG# | QTY | MFG# | QTY | MFG# | QTY |
| 6' x 8' Solid Privacy Panel (70") | 73014727 | | 73014728 | | 73053814 | |
| 5" x 5" x 108" Line Post | 73024020 | | 73024023 | | 73053811 | |
| 5" x 5" x 108" Corner Post | 73024022 | | 73024025 | | 73053813 | |
| 5" x 5" x 108" End Post | 73024021 | | 73024024 | | 73053812 | |
| 5" x 5" x 78" Short Bottom Line Post | 73045792 | | 73045795 | | 73053808 | |
| 5" x 5" x 78" Short Bottom Corner Post | 73045793 | | 73045796 | | 73053807 | |
| 5" x 5" x 78" Short Bottom End Post | 73045794 | | 73045797 | | 73053806 | |
| 5" x 5" Pyramid Post Cap | 73003093 | | 73003769 | | 73054107 | |
| 5" x 5" Internal Post Cap | 73007092 | | 73007093 | | 73024884 | |
| 5" x 5" New England Post Cap | 73045003 | | 73045004 | | 73054108 | |
| 6' x 46" Solid Privacy Walk Gate | 73025125 | | 73025131 | | 73053809 | |
| 6' x 58" Solid Privacy Drive Gate | 73025126 | | 73025132 | | 73053810 | |



| FENCE PANEL COMPONENTS | |
|-------------------------------------|-----|
| DESCRIPTION | QTY |
| 1 3/4" x 7" x 94" Rails | 2 |
| 7/8" x 6' x 62" Boards T&G | 15 |
| 1.02" x 1.379" x 59 1/2" U-Channels | 2 |

| HARDWARE | Black |
|--|----------|
| | SKU |
| Heavy-Duty Contemporary Wrap Hinge | 73014300 |
| Gate Handle | 73014320 |
| Gate Stop | 73014321 |
| 24" Heavy-Duty Drop Rod | 73014305 |
| Locking Gravity Latch 2-Sided Key Access | 73050187 |
| 5" x 5" x 100" Gate Post Insert | 73040719 |
| 5" x 5" x 106" Gate Post Insert | 73003463 |

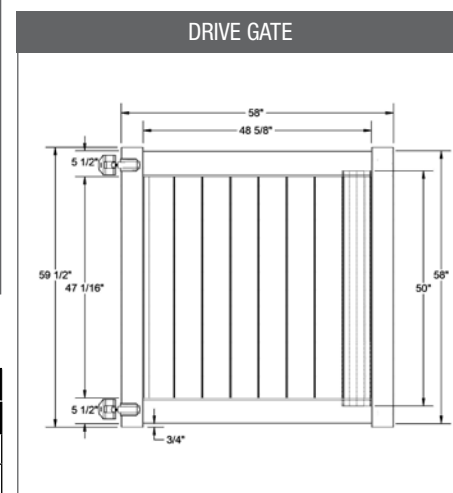
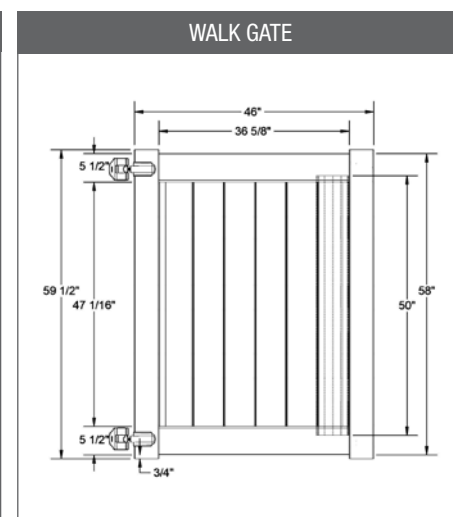
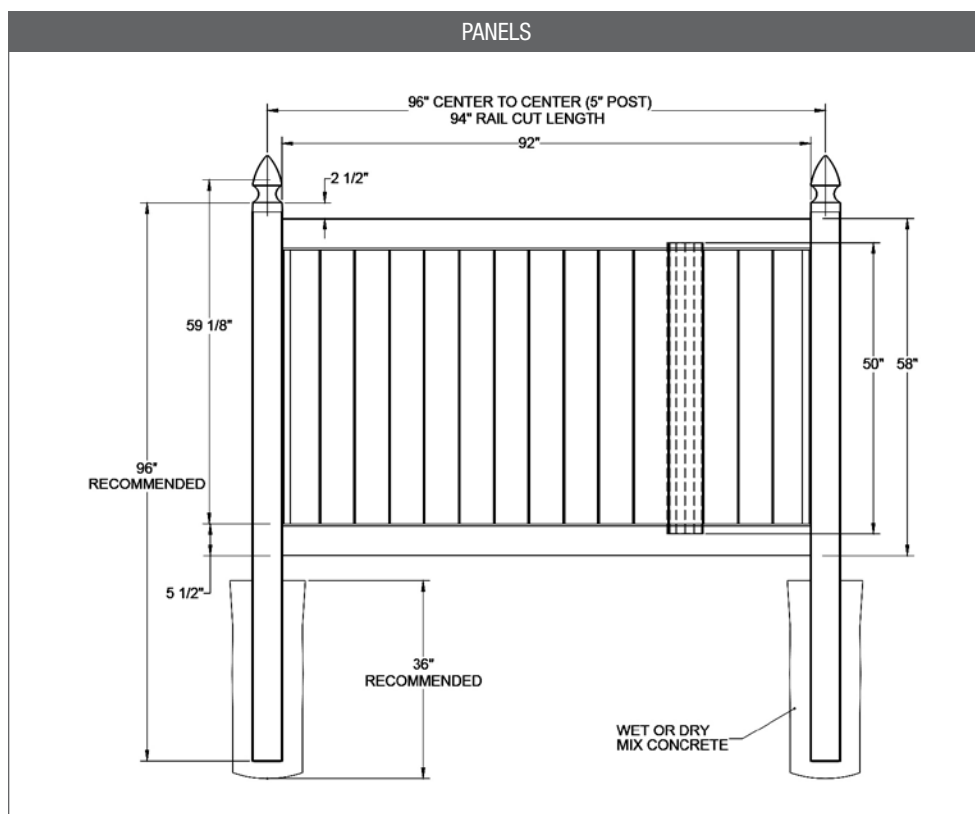


Rail Profile



5' H x 8' W • 1 3/4" x 5 1/2" RAIL

| DESCRIPTION | White | |
|-----------------------------------|----------|-----|
| | MFG# | QTY |
| 5' x 8' Solid Privacy Panel | 73014725 | |
| 5" x 5" x 96" Line Post | 73014890 | |
| 5" x 5" x 96" Corner Post | 73014892 | |
| 5" x 5" x 96" End Post | 73014891 | |
| 5" x 5" Pyramid Post Cap | 73003093 | |
| 5" x 5" Internal Post Cap | 73007092 | |
| 5" x 5" New England Post Cap | 73045003 | |
| 5' x 46" Solid Privacy Walk Gate | 73025127 | |
| 5' x 58" Solid Privacy Drive Gate | 73025128 | |



| FENCE PANEL COMPONENTS | |
|----------------------------|-----|
| DESCRIPTION | QTY |
| 1 3/4" x 5.47" x 70" Rail | 2 |
| 7/8" x 6' x 50" Boards T&G | 15 |
| 47 7/8" U-Channels | 2 |

| HARDWARE | Black |
|--|----------|
| | SKU |
| Heavy-Duty Contemporary Wrap Hinge | 73014300 |
| Gate Handle | 73014320 |
| Gate Stop | 73014321 |
| 24" Heavy-Duty Drop Rod | 73014305 |
| Locking Gravity Latch 2-Sided Key Access | 73050187 |
| 5" x 5" x 94" Gate Post Insert | 73012353 |



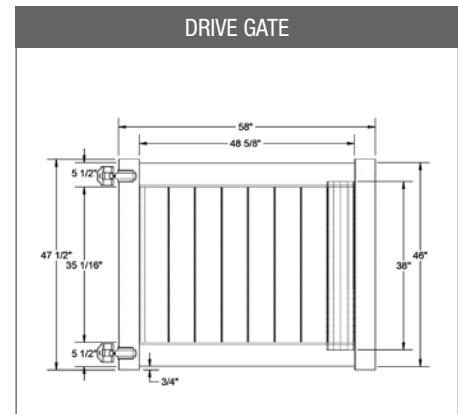
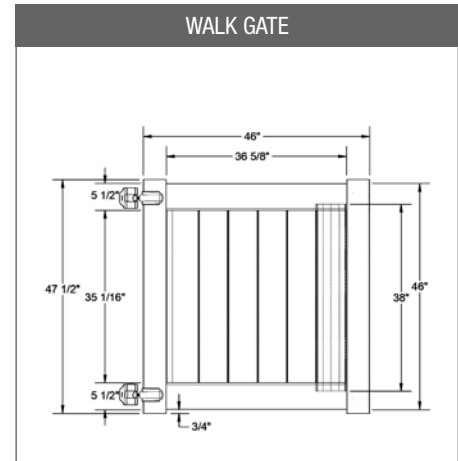
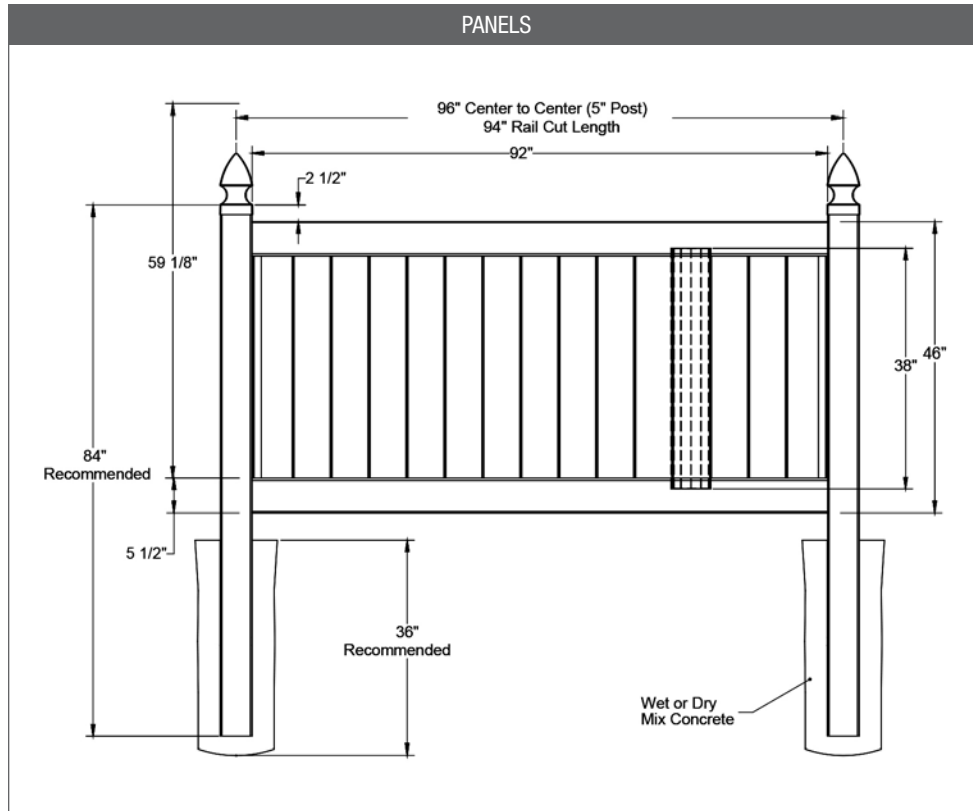
Rail Profile



SOLID PRIVACY

4' H x 8' W • 1 3/4" x 5 1/2" RAIL

| DESCRIPTION | White | |
|-----------------------------------|----------|-----|
| | MFG# | QTY |
| 4' x 8' Solid Privacy Panel | 73014723 | |
| 5" x 5" x 84" Line Post | 73014884 | |
| 5" x 5" x 84" Corner Post | 73014886 | |
| 5" x 5" x 84" End Post | 73014885 | |
| 5" x 5" Pyramid Post Cap | 73003093 | |
| 5" x 5" Internal Post Cap | 73007092 | |
| 5" x 5" New England Post Cap | 73045003 | |
| 4' x 46" Solid Privacy Walk Gate | 73025129 | |
| 4' x 58" Solid Privacy Drive Gate | 73025130 | |



| FENCE PANEL COMPONENTS | |
|------------------------------------|-----|
| DESCRIPTION | QTY |
| 1 3/4" x 7" x 94" Decorative Rails | 2 |
| 7/8" x 6' x 38" Boards T&G | 15 |
| 36 3/8" U-Channels | 2 |

| HARDWARE | Black |
|--|----------|
| | SKU |
| Heavy-Duty Contemporary Wrap Hinge | 73014300 |
| Gate Handle | 73014320 |
| Gate Stop | 73014321 |
| 24" Heavy-Duty Drop Rod | 73014305 |
| Locking Gravity Latch 2-Sided Key Access | 73050187 |
| 5" x 5" x 82" Gate Post Insert | 73003718 |

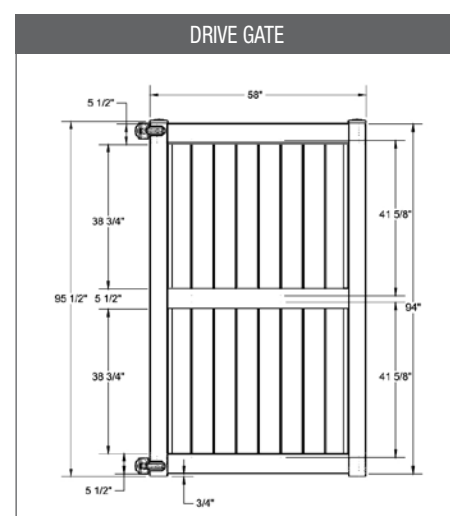
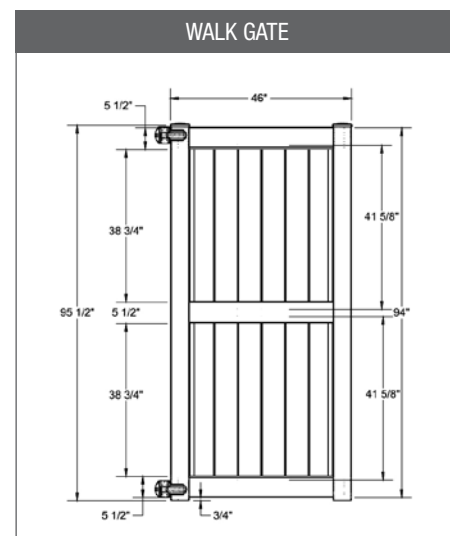
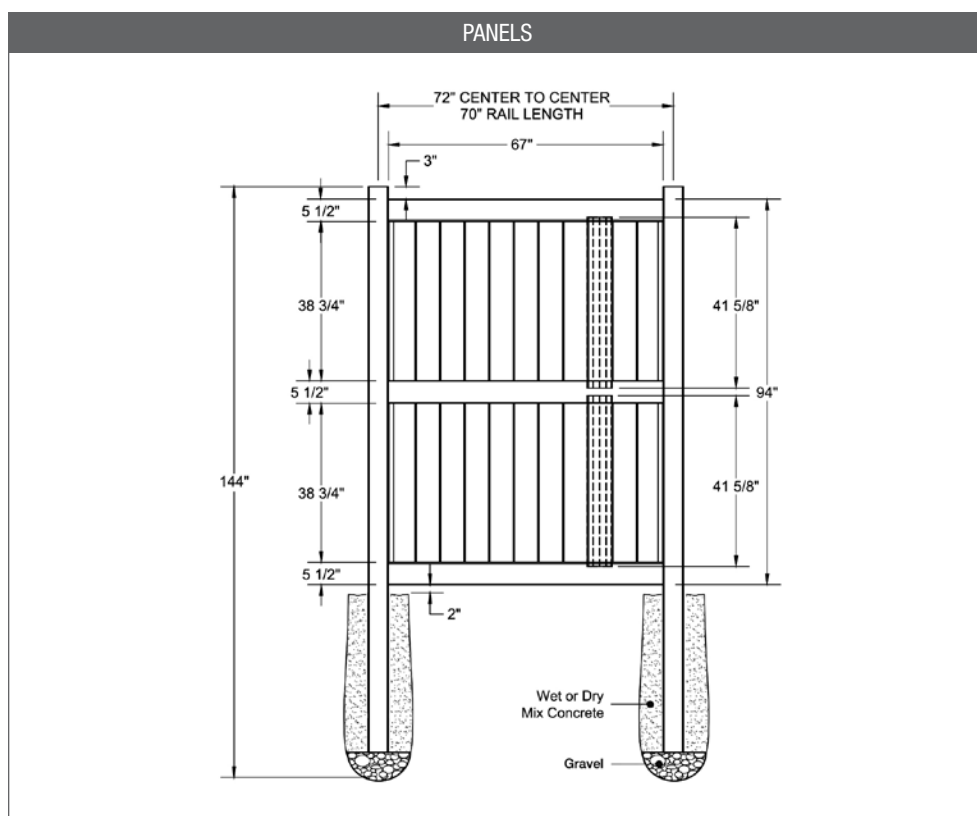


Rail Profile



8' H x 6' W • 1 3/4" x 5 1/2" RAIL

| DESCRIPTION | White | | Sand | | Cypress | | Driftwood | |
|-----------------------------------|----------|-----|----------|-----|----------|-----|-----------|-----|
| | MFG# | QTY | MFG# | QTY | MFG# | QTY | MFG# | QTY |
| 8' x 6' Solid Privacy Panel | 73025302 | | 73024961 | | 73055351 | | 73055357 | |
| 5" x 5" x 144" Line Post | 73025303 | | 73024962 | | 73055352 | | 73055358 | |
| 5" x 5" x 144" Corner Post | 73025304 | | 73024963 | | 73055353 | | 73055359 | |
| 5" x 5" x 144" End Post | 73025305 | | 73024964 | | 73055354 | | 73055360 | |
| 5" x 5" Pyramid Post Cap | 73003093 | | 73003769 | | 73013829 | | 73042814 | |
| 5" x 5" Internal Post Cap | 73007092 | | 73007093 | | 73013827 | | 73042811 | |
| 5" x 5" New England Post Cap | 73045003 | | 73045004 | | 73045007 | | 73045008 | |
| 8' x 46" Solid Privacy Walk Gate | 73025306 | | 73024965 | | 73055355 | | 73055361 | |
| 8' x 58" Solid Privacy Drive Gate | 73025307 | | 73024966 | | 73055356 | | 73055362 | |



| FENCE PANEL COMPONENTS | |
|--|-----|
| DESCRIPTION | QTY |
| 1 3/4" x 5.47" x 70" Rail | 2 |
| 1 1/2" x 5 1/2" x 70" Double Slit 7/8" | 1 |
| 7/8" x 6' x 41 5/8" Boards T&G | 22 |
| 39 5/8" U-Channels | 4 |

| HARDWARE | Black |
|--|----------|
| | SKU |
| Heavy-Duty Contemporary Wrap Hinge | 73014300 |
| Gate Handle | 73014320 |
| Gate Stop | 73014321 |
| 24" Heavy-Duty Drop Rod | 73014305 |
| Locking Gravity Latch 2-Sided Key Access | 73050187 |
| 5" x 5" x 106" Gate Post Insert | 73003463 |



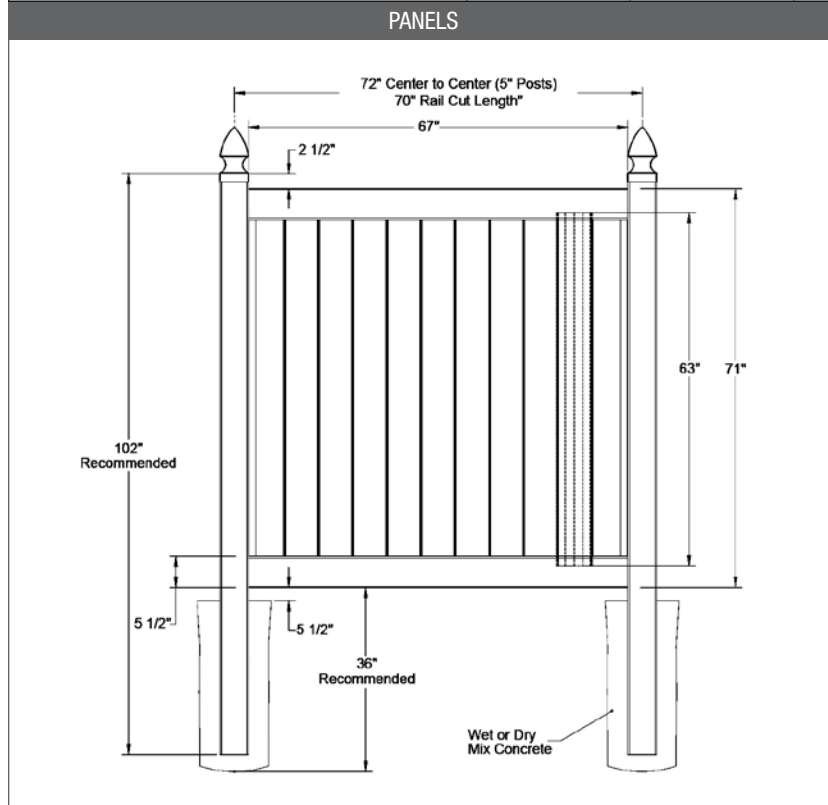
Rail Profile



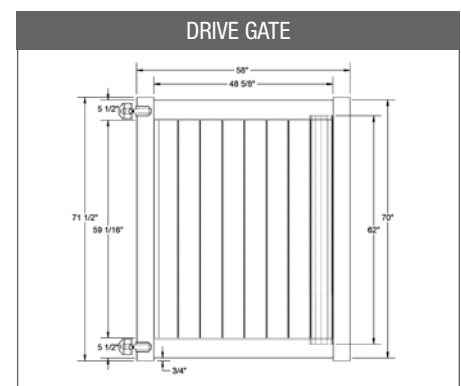
SOLID PRIVACY

6' H x 6' W • 1 3/4" x 5 1/2" RAIL (70" HIGH)

| DESCRIPTION | White | | Sand | | Gray | |
|--|----------|-----|----------|-----|----------|-----|
| | MFG# | QTY | MFG# | QTY | MFG# | QTY |
| 6' x 6' Solid Privacy Panel (70") | 73014393 | | 73014396 | | 73053756 | |
| 5" x 5" x 102" Line Post (.135 wall) | 73014147 | | 73014151 | | 73053753 | |
| 5" x 5" x 102" Corner Post (.135 wall) | 73014145 | | 73014149 | | 73053754 | |
| 5" x 5" x 102" End Post (.135 wall) | 73014146 | | 73014150 | | 73053755 | |
| 5" x 5" x 96" Line Post (.160 wall) | 73025485 | | 73025488 | | N/A | |
| 5" x 5" x 96" Corner Post (.160 wall) | 73025486 | | 73025489 | | N/A | |
| 5" x 5" x 96" End Post (.160 wall) | 73025487 | | 73025490 | | N/A | |
| 5" x 5" Pyramid Post Cap | 73003093 | | 73003769 | | 73054107 | |
| 5" x 5" Internal Post Cap | 73007092 | | 73007093 | | N/A | |
| 5" x 5" New England Post Cap | 73045003 | | 73045004 | | 73053093 | |
| 6' x 46" Solid Privacy Walk Gate | 73025125 | | 73025131 | | 73053809 | |
| 6' x 58" Solid Privacy Drive Gate | 73025126 | | 73025132 | | 73053810 | |



| Also Available With White Rails and Sand or Khaki Infills | | Sand Infill |
|---|----------------------|-------------|
| 6' x 8' White with Color Infill Panel (70") | 1 3/4" x 5 1/2" Rail | 73040916 |
| 6' x 46" White with Color Infill Walk Gate (70") | | 73040917 |
| 6' x 58" White with Color Infill Drive Gate (70") | | 73040918 |



| FENCE PANEL COMPONENTS | |
|------------------------------------|-----|
| DESCRIPTION | QTY |
| 1 3/4" x 5" x 70" Decorative Rails | 2 |
| 7/8" x 6' x 62" Boards T&G | 11 |
| 59" U-Channels | 2 |

| HARDWARE | Black |
|--|----------|
| | SKU |
| Heavy-Duty Contemporary Wrap Hinge | 73014300 |
| Gate Handle | 73014320 |
| Gate Stop | 73014321 |
| 24" Heavy-Duty Drop Rod | 73014305 |
| Locking Gravity Latch 2-Sided Key Access | 73050187 |
| 5" x 5" x 100" Gate Post Insert | 73040719 |
| 5" x 5" x 94" Gate Post Insert | 73012353 |

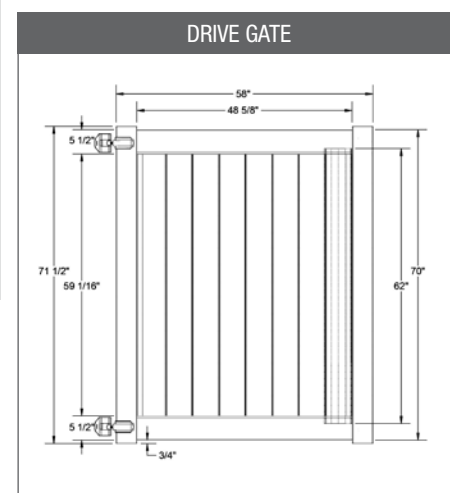
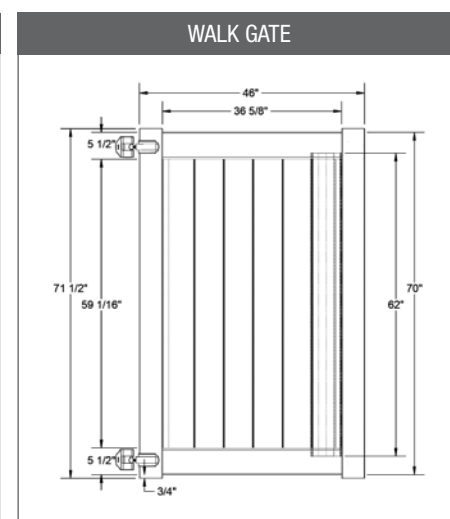
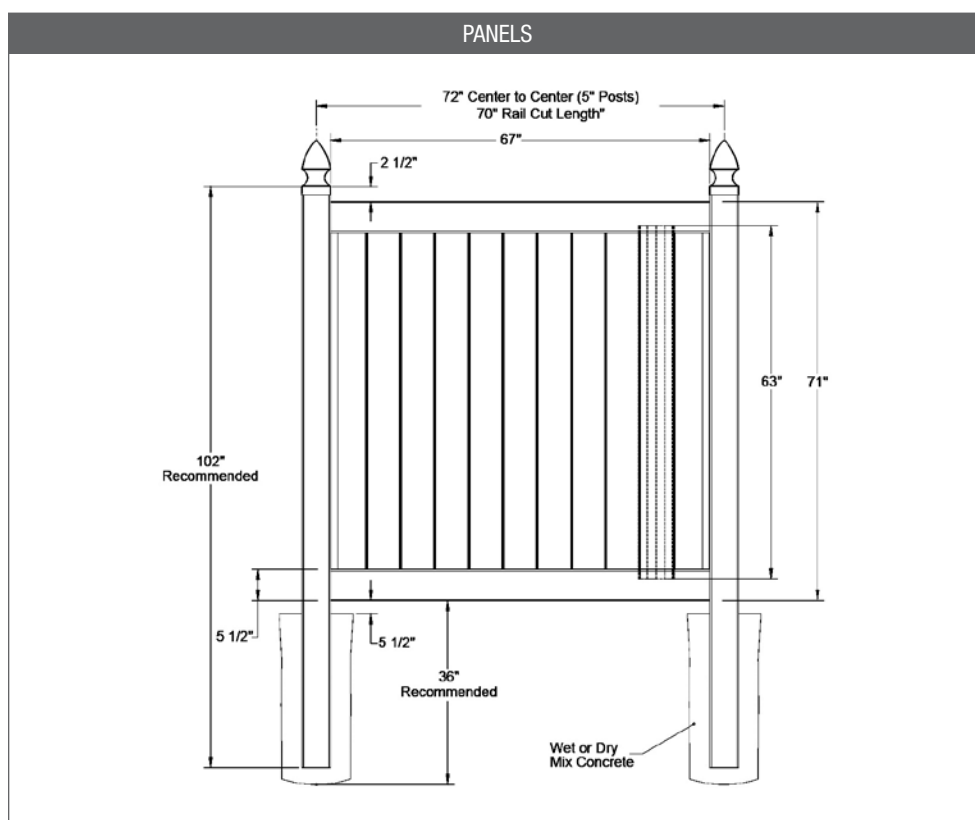


Rail Profile



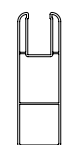
6' H x 6' W • 1 3/4" x 5 1/2" RAIL • WOOD GRAIN (70" HIGH)

| DESCRIPTION | Cypress | | Driftwood | |
|--|----------|-----|-----------|-----|
| | MFG# | QTY | MFG# | QTY |
| 6' x 6' Solid Privacy Wood Grain Panel (70") | 73014399 | | 73025732 | |
| 5" x 5" x 102" Line Post | 73014400 | | 73025741 | |
| 5" x 5" x 102" Corner Post | 73014401 | | 73025737 | |
| 5" x 5" x 102" End Post | 73014402 | | 73025739 | |
| 5" x 5" x 108" Blank Post | 73013858 | | 73042814 | |
| 5" x 5" Pyramid Post Cap | 73013829 | | 73042811 | |
| 5" x 5" Internal Post Cap | 73013827 | | 73045008 | |
| 5" x 5" New England Post Cap | 73045007 | | N/A | |
| 6' x 46" Solid Privacy Wood Grain Walk Gate | 73025375 | | 73025735 | |
| 6' x 58" Solid Privacy Wood Grain Drive Gate | 73025376 | | 73025731 | |



| FENCE PANEL COMPONENTS | |
|--------------------------------------|-----|
| DESCRIPTION | QTY |
| 1 3/4" x 5.47" x 70" Decorative Rail | 2 |
| 7/8" x 6' x 62" Boards T&G | 15 |
| 59 1/2" U-Channels | 2 |

| HARDWARE | Black |
|--|----------|
| | SKU |
| Heavy-Duty Contemporary Wrap Hinge | 73014300 |
| Gate Handle | 73014320 |
| Gate Stop | 73014321 |
| 24" Heavy-Duty Drop Rod | 73014305 |
| Locking Gravity Latch 2-Sided Key Access | 73050187 |
| 5" x 5" x 100" Gate Post Insert | 73040719 |



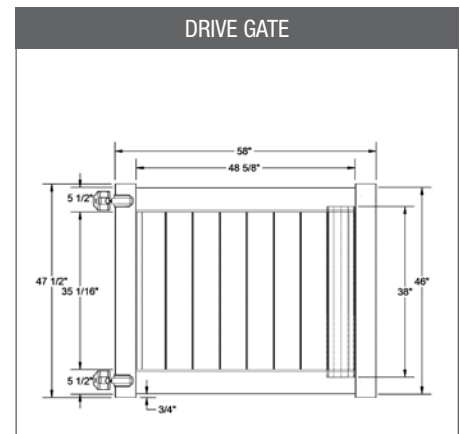
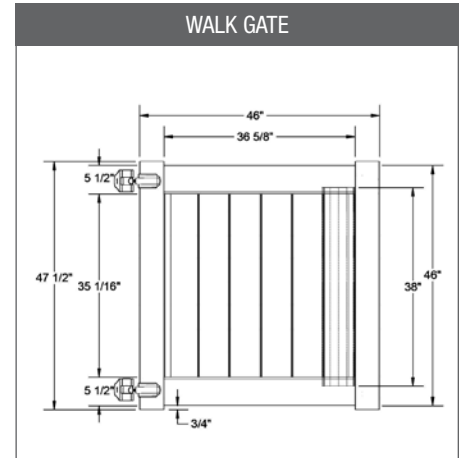
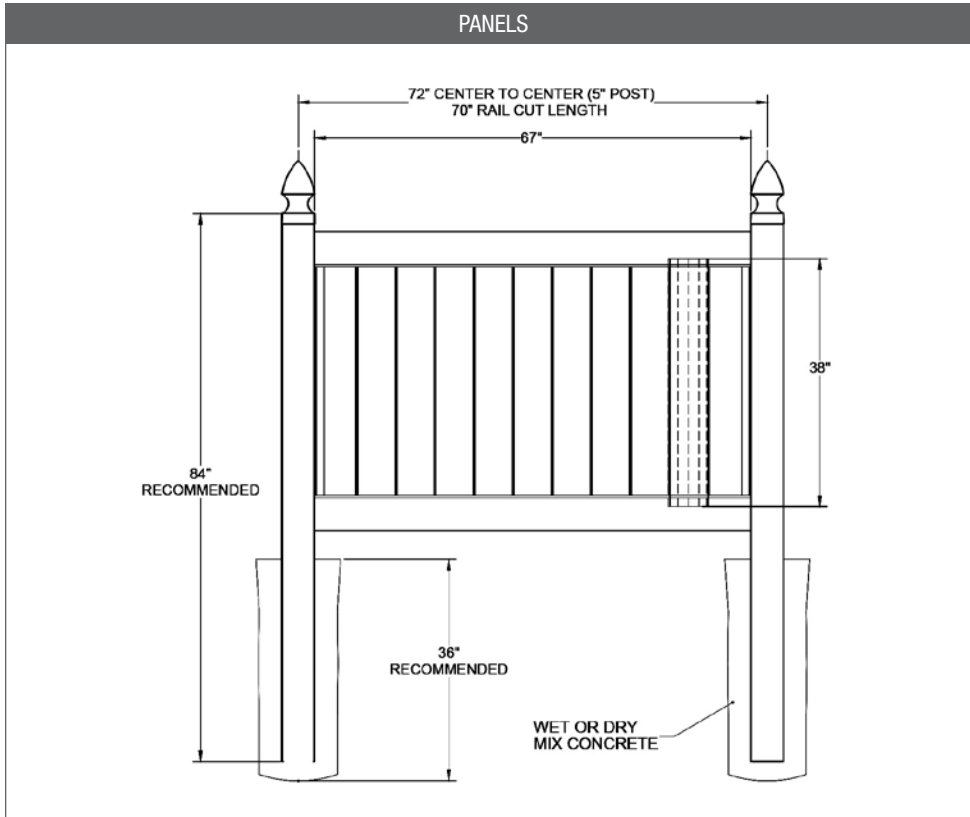
Rail Profile



SOLID PRIVACY

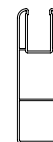
4' H x 6' W • 1 3/4" x 5 1/2" RAIL

| DESCRIPTION | White | |
|------------------------------|----------|--|
| | MFG# | |
| 4' x 6' Solid Privacy Panel | 73014715 | |
| 5" x 5" x 84" Line Post | 73014884 | |
| 5" x 5" x 84" Corner Post | 73014886 | |
| 5" x 5" x 84" End Post | 73014885 | |
| 5" x 5" Pyramid Post Cap | 73003093 | |
| 5" x 5" Internal Post Cap | 73007092 | |
| 5" x 5" New England Post Cap | 73045003 | |
| 4' x 46" Solid Walk Gate | 73025129 | |
| 4' x 58" Solid Drive Gate | 73025130 | |



| FENCE PANEL COMPONENTS | |
|-------------------------------------|-----|
| DESCRIPTION | QTY |
| 1 3/4" x 5" x 70" Decorative Rails | 2 |
| 7/8" x 6' x 38" Boards T&G | 11 |
| 1.02" x 1.379" x 35 7/8" U-Channels | 2 |

| HARDWARE | Black | |
|--|----------|--|
| | SKU | |
| Heavy-Duty Contemporary Wrap Hinge | 73014300 | |
| Gate Handle | 73014320 | |
| Gate Stop | 73014321 | |
| 24" Heavy-Duty Drop Rod | 73014305 | |
| Locking Gravity Latch 2-Sided Key Access | 73050187 | |
| 5" x 5" x 82" Gate Post Insert | 73003718 | |

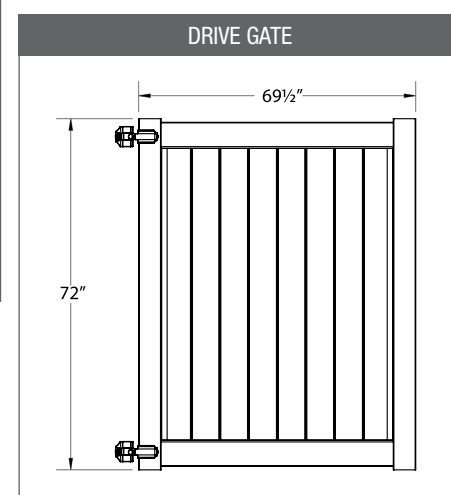
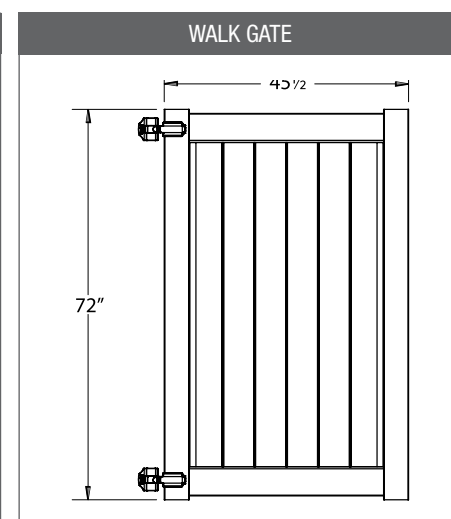
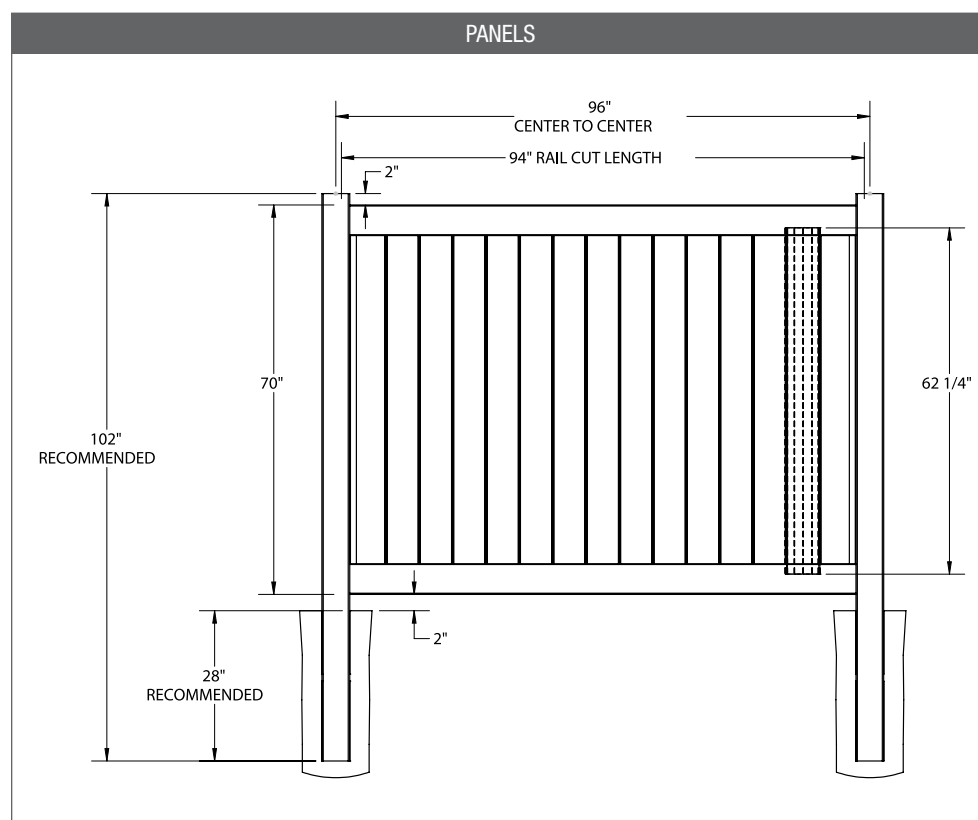


Rail Profile



6' H x 8' W • 1½" x 5½" RAIL • WOOD GRAIN (70" HIGH)

| DESCRIPTION | Mesquite | | Weathered Aspen | | Coastal Cedar | |
|--------------------------------|----------|-----|-----------------|-----|---------------|-----|
| | MFG# | QTY | MFG# | QTY | MFG# | QTY |
| 6' x 8' Solid Privacy (70"H) | 73055478 | | 73055479 | | 73055477 | |
| 5" x 5" x 96" Line Post (ZH) | 73051795 | | 73051906 | | 73051801 | |
| 5" x 5" x 96" Corner Post (ZH) | 73051793 | | 73051902 | | 73051799 | |
| 5" x 5" x 96" End Post (ZH) | 73051794 | | 73051904 | | 73051800 | |
| 5" x 5" x 108 Line Post (ZH) | 73051778 | | 73055536 | | 73051798 | |
| 5" x 5" x 108 Corner Post (ZH) | 73051776 | | 73055537 | | 73051796 | |
| 5" x 5" x 108 End Post (ZH) | 73051777 | | 73055538 | | 73051797 | |
| 5" x 5" Pyramid Post Cap | 73053065 | | 73053069 | | 73053064 | |
| 5" x 5" New England Post Cap | 73053091 | | 73053094 | | 73053088 | |
| 6' x 45½" Walk Gate* | 73055483 | | 73055484 | | 73055482 | |
| 6' x 69½" Drive Gate* | 73055486 | | 73055487 | | 73055485 | |



| FENCE PANEL COMPONENTS | |
|--|-----|
| DESCRIPTION | QTY |
| 1½" x 5½" x 95" Rails | 2 |
| 7/8" x 6" x 61½" Tongue-and GrooveBoards | 15 |
| 1.01" x 1.20" x 59"U-Channels | 2 |

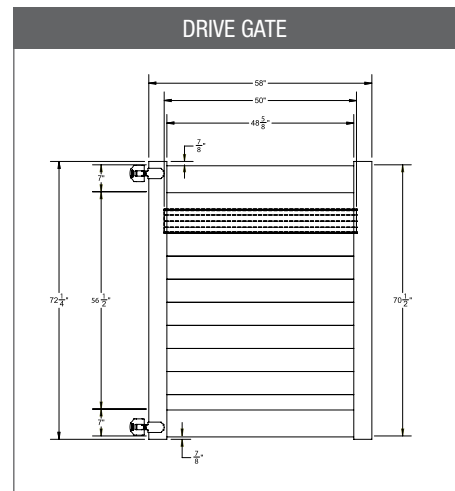
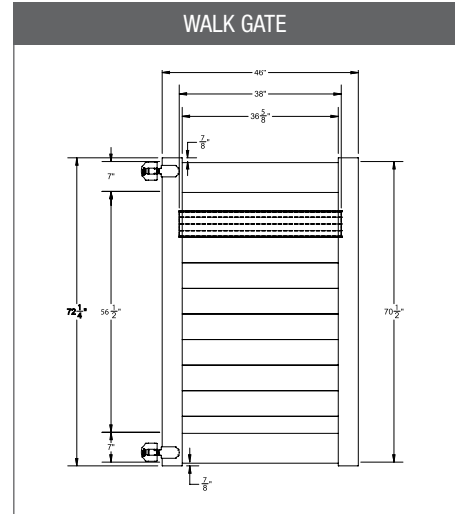
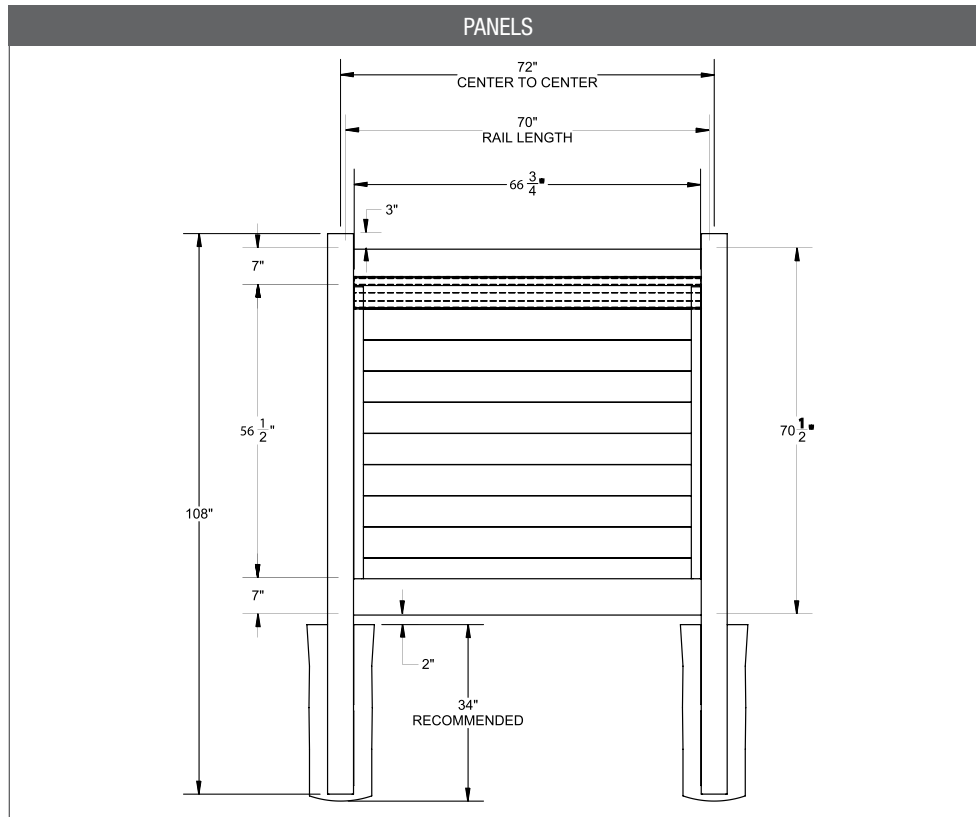
| HARDWARE | Black |
|--|----------|
| | SKU |
| Heavy-Duty Contemporary Wrap Hinge | 73014300 |
| Gate Handle | 73014320 |
| Gate Stop | 73014321 |
| 24" Heavy-Duty Drop Rod | 73014305 |
| Locking Gravity Latch 2-Sided Key Access | 73050187 |
| 5" x 5" x 100" Gate Post Insert | 73040719 |



HORIZONTAL PRIVACY

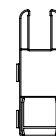
6' H x 6' W • 1¾" x 7" RAIL (70" HIGH)

| DESCRIPTION | White | | Sand | | Gray | |
|-----------------------------------|----------|-----|----------|-----|----------|-----|
| | MFG# | QTY | MFG# | QTY | MFG# | QTY |
| 6' x 6' Solid Privacy Panel | 73045598 | | 73045599 | | 73055085 | |
| 5" x 5" x 108" Line Post | 73045547 | | 73045567 | | 73055087 | |
| 5" x 5" x 108" Corner Post | 73045548 | | 73045568 | | 73055088 | |
| 5" x 5" x 108" End Post | 73045549 | | 73045569 | | 73055089 | |
| 5" x 5" Pyramid Post Cap | 73003093 | | 73003769 | | 73054107 | |
| 5" x 5" Internal Post Cap | 73007092 | | 73007093 | | N/A | |
| 5" x 5" New England Post Cap | 73045003 | | 73045004 | | 73053093 | |
| 8' x 46" Solid Privacy Walk Gate | 73045551 | | 73045571 | | 73055090 | |
| 8' x 58" Solid Privacy Drive Gate | 73045552 | | 73045572 | | 73055101 | |



| FENCE PANEL COMPONENTS | |
|--|-----|
| DESCRIPTION | QTY |
| Rails | 2 |
| 7/8" x 6" x 66 3/4" Tongue-and-Groove Boards | 10 |
| 1" x 1 7/8" x 56 1/4" U-Channel Post | 2 |

| HARDWARE | Black |
|--|----------|
| | SKU |
| Heavy-Duty Contemporary Wrap Hinge | 73014300 |
| Gate Handle | 73014320 |
| Gate Stop | 73014321 |
| 24" Heavy-Duty Drop Rod | 73014305 |
| Locking Gravity Latch 2-Sided Key Access | 73050187 |
| 5" x 5" x 94" Gate Post Insert | 73012353 |

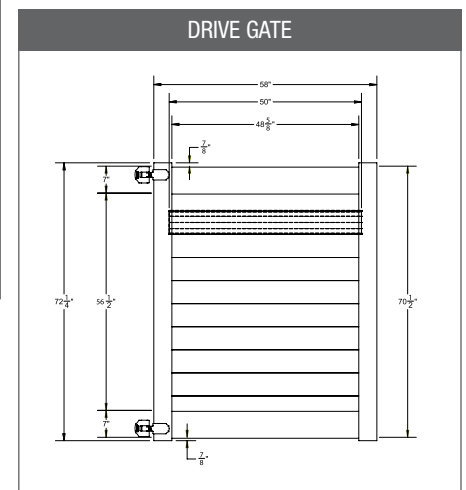
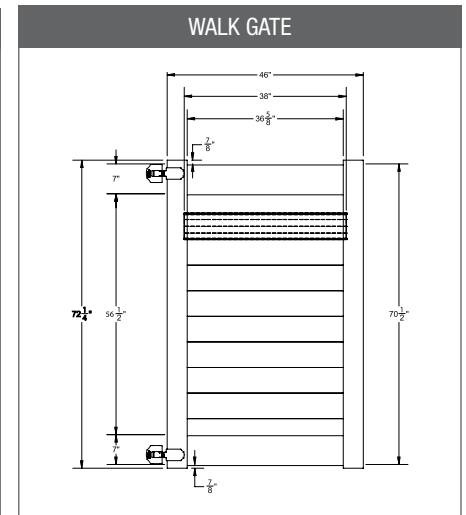
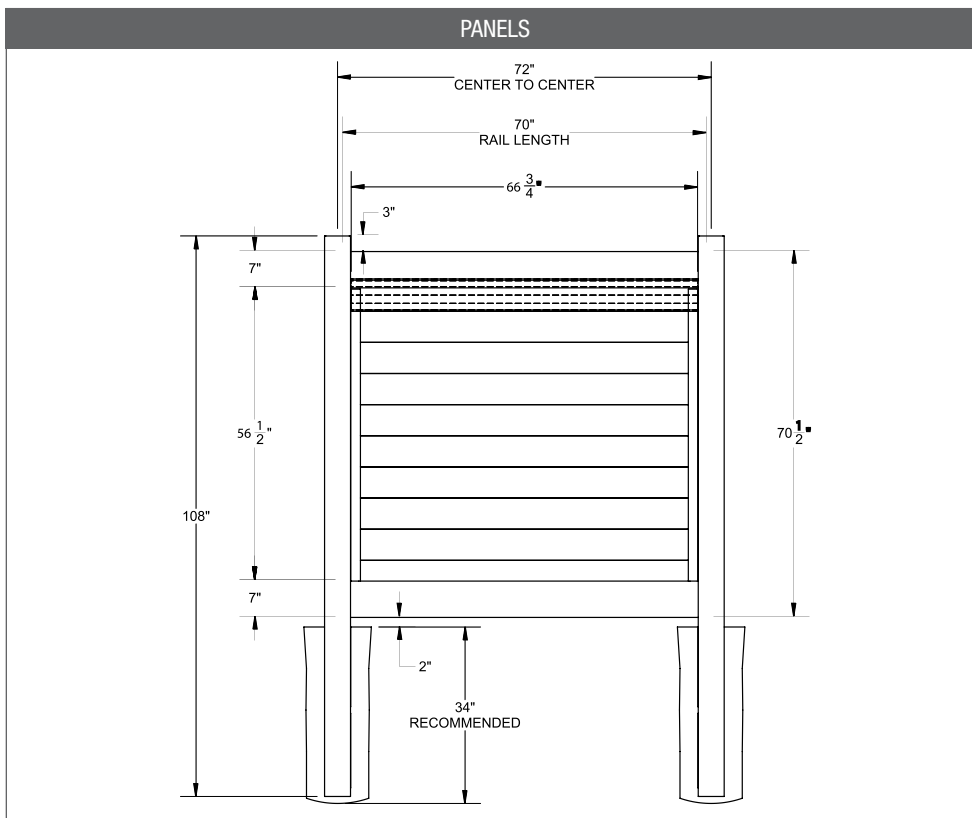


Rail Profile



6' H x 6' W • 1¾" x 7" RAIL • WOOD GRAIN (70" HIGH)

| DESCRIPTION | Cypress | | Driftwood | |
|-----------------------------------|----------|-----|-----------|-----|
| | MFG# | QTY | MFG# | QTY |
| 6' x 6' Solid Privacy Panel | 73045602 | | 73045601 | |
| 5" x 5" x 108" Line Post | 73045592 | | 73045585 | |
| 5" x 5" x 108" Corner Post | 73045593 | | 73045586 | |
| 5" x 5" x 108" End Post | 73045594 | | 73045587 | |
| 5" x 5" Pyramid Post Cap | 73013829 | | 73042811 | |
| 5" x 5" Internal Post Cap | 73013827 | | 73045008 | |
| 5" x 5" New England Post Cap | 73045007 | | N/A | |
| 8' x 46" Solid Privacy Walk Gate | 73045596 | | 73045589 | |
| 8' x 58" Solid Privacy Drive Gate | 73045597 | | 73045590 | |



| FENCE PANEL COMPONENTS | |
|---|-----|
| DESCRIPTION | QTY |
| Rails | 2 |
| 7/8" x 6" x 66¾" Tongue-and-Groove Boards | 10 |
| 1" x 1 7/8" x 56¼" U-Channel Post | 2 |

| HARDWARE | Black |
|--|----------|
| | SKU |
| Heavy-Duty Contemporary Wrap Hinge | 73014300 |
| Gate Handle | 73014320 |
| Gate Stop | 73014321 |
| 24" Heavy-Duty Drop Rod | 73014305 |
| Locking Gravity Latch 2-Sided Key Access | 73050187 |
| 5" x 5" x 94" Gate Post Insert | 73012353 |



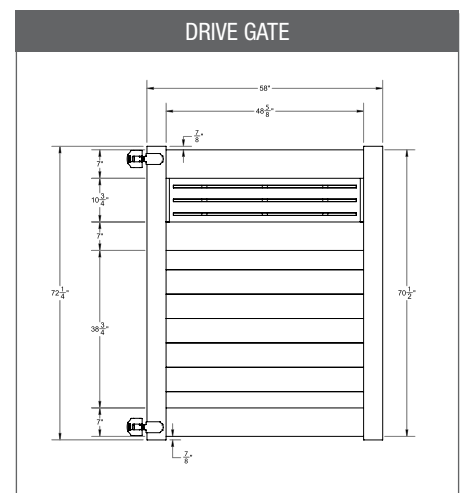
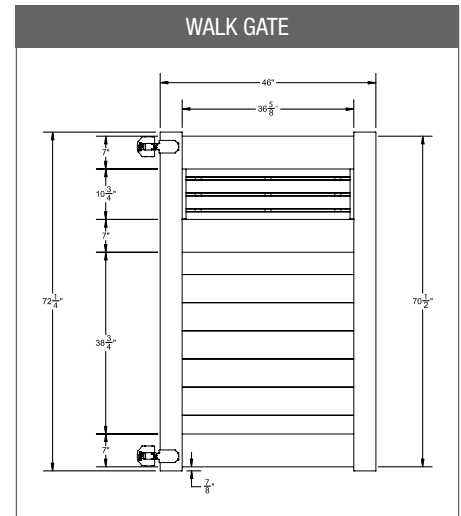
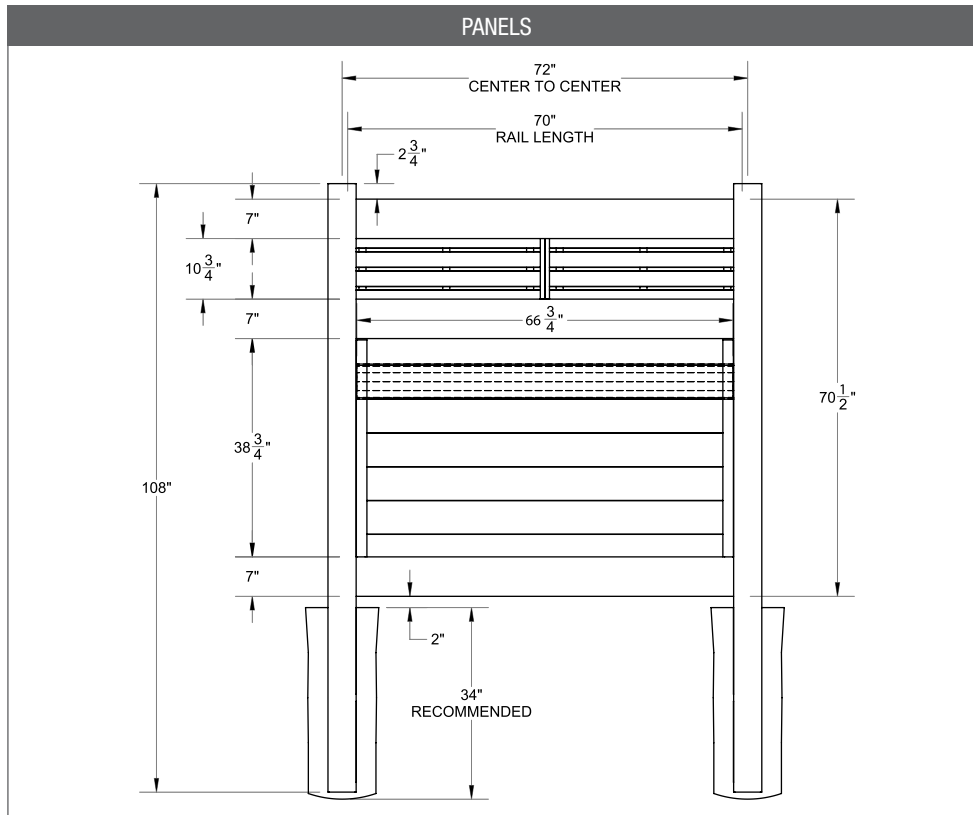
Rail Profile



HORIZONTAL PRIVACY

6' H x 6' W • 1³/₄" x 7" RAIL • HORIZONTAL PRIVACY W/DSP (70" HIGH)

| DESCRIPTION | White | | Gray | | Cypress | | Driftwood | |
|---|----------|-----|----------|-----|----------|-----|-----------|-----|
| | MFG# | QTY | MFG# | QTY | MFG# | QTY | MFG# | QTY |
| 6' x 6' Horizontal Privacy Panel with DSP(T&G) (70"H) | 73045801 | | 73055102 | | 73054478 | | 73045803 | |
| 5" x 5" x 108" Line Post (Al) | 73045604 | | 73055104 | | 73054479 | | 73045821 | |
| 5" x 5" x 108" Corner Post (Al) | 73045605 | | 73055105 | | 73054480 | | 73045822 | |
| 5" x 5" x 108" End Post (Al) | 73045606 | | 73055106 | | 73054481 | | 73045823 | |
| 5" x 5" Pyramid Post Cap | 73003093 | | 73054107 | | 73013829 | | 73042811 | |
| 5" x 5" Gothic Post Cap | 73007092 | | N/A | | 73013827 | | 73045008 | |
| 5" x 5" New England Post Cap | 73045003 | | 73053093 | | 73045007 | | N/A | |
| 6' x 46" Horizontal Privacy with DSP Walk Gate* | 73045608 | | 73055107 | | 73054482 | | 73045825 | |
| 6' x 58" Horizontal Privacy with DSP Drive Gate* | 73045609 | | 73055108 | | 73054483 | | 73045826 | |



| FENCE PANEL COMPONENTS | |
|---|-----|
| DESCRIPTION | QTY |
| 1 ³ / ₄ " x 7" x 70" Rails | 3 |
| 7/8" x 6" x 66 ³ / ₄ " T&G Boards | 7 |
| 1" x 1 ⁷ / ₈ " x 38 ⁵ / ₈ " Structural Post | 1 |
| 1" x 1 ⁷ / ₈ " x 38 ⁵ / ₈ " U-Channels | 2 |
| 14 ¹ / ₈ " x 34 ³ / ₈ " DSP Panels | 2 |
| DSP Topper Stile (2 Pack) | 1 |
| 7/8" x 1 ¹ / ₂ " x 33 ¹ / ₂ " DSP Adaptor | 1 |
| #10 x 3/4" pan head screws (10 Pack) | 1 |

| HARDWARE | Black |
|--|----------|
| | SKU |
| Heavy-Duty Contemporary Wrap Hinge | 73014300 |
| Gate Handle | 73014320 |
| Gate Stop | 73014321 |
| 24" Heavy-Duty Drop Rod | 73014305 |
| Locking Gravity Latch 2-Sided Key Access | 73050187 |
| 5" x 5" x 82" Gate Post Insert | 73003718 |

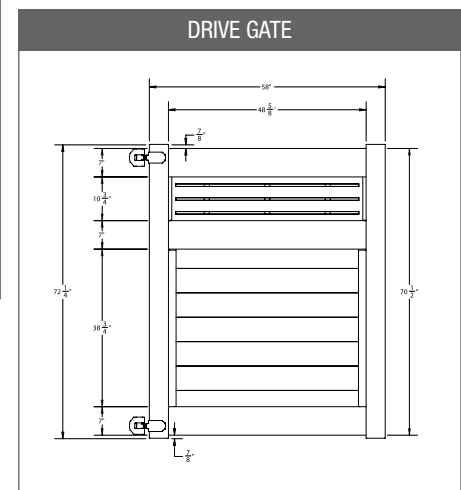
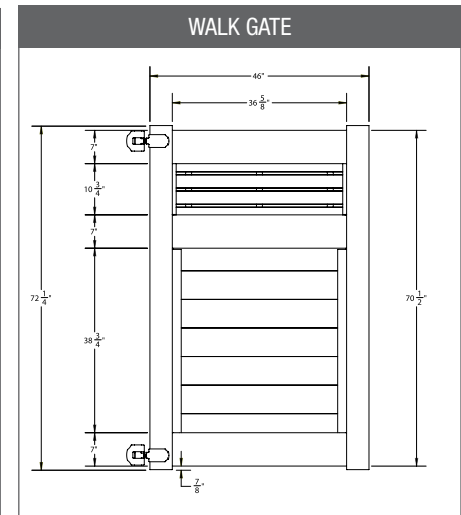
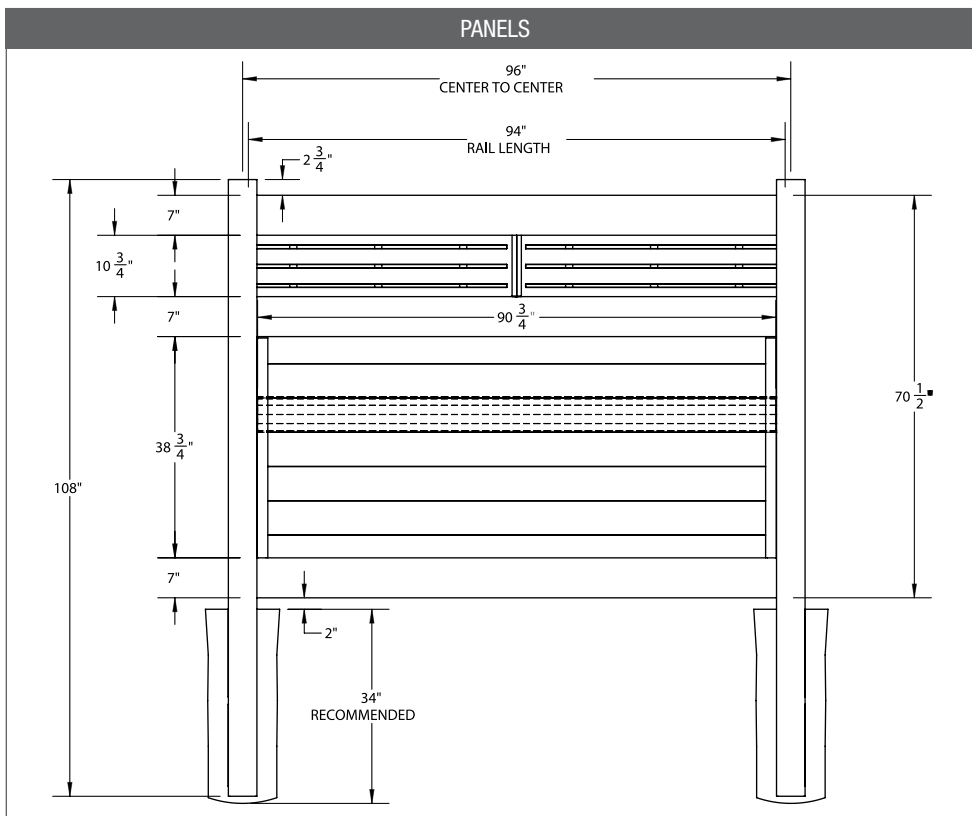


Rail Profile



6' H x 8' W • 1¾" x 7" RAIL HORIZONTAL PRIVACY W/DSP (70" HIGH)

| DESCRIPTION | White | | Gray | | Cypress | | Driftwood | |
|---|----------|-----|----------|-----|----------|-----|-----------|-----|
| | MFG# | QTY | MFG# | QTY | MFG# | QTY | MFG# | QTY |
| 6' x 8' Horizontal Privacy Panel with DSP | 73045603 | | 73055103 | | 73045762 | | 73045632 | |
| 5" x 5" x 108" Line Post (Al) | 73045604 | | 73055104 | | 73045763 | | 73045821 | |
| 5" x 5" x 108" Corner Post (Al) | 73045605 | | 73055105 | | 73045764 | | 73045822 | |
| 5" x 5" x 108" End Post (Al) | 73045606 | | 73055106 | | 73045765 | | 73045823 | |
| 5" x 5" Pyramid Post Cap | 73003093 | | 73054107 | | 73013829 | | 73042811 | |
| 5" x 5" Internal Post Cap | 73007092 | | N/A | | 73013827 | | 73045008 | |
| 5" x 5" New England Post Cap | 73045003 | | 73053093 | | 73045007 | | N/A | |
| 6' x 46" Solid Privacy Walk Gate | 73045608 | | 73055107 | | 73045767 | | 73045825 | |
| 6' x 58" Solid Privacy Drive Gate | 73045609 | | 73055108 | | 73045827 | | 73045826 | |



| FENCE PANEL COMPONENTS | |
|---|-----|
| DESCRIPTION | QTY |
| Rails | 2 |
| 7/8" x 6" x 66¾" Tongue-and-Groove Boards | 10 |
| 1" x 1 7/8" x 56¼" U-Channel Post | 2 |

| HARDWARE | Black |
|--|----------|
| | SKU |
| Heavy-Duty Contemporary Wrap Hinge | 73014300 |
| Gate Handle | 73014320 |
| Gate Stop | 73014321 |
| 24" Heavy-Duty Drop Rod | 73014305 |
| Locking Gravity Latch 2-Sided Key Access | 73050187 |
| 5" x 5" x 94" Gate Post Insert | 73012353 |



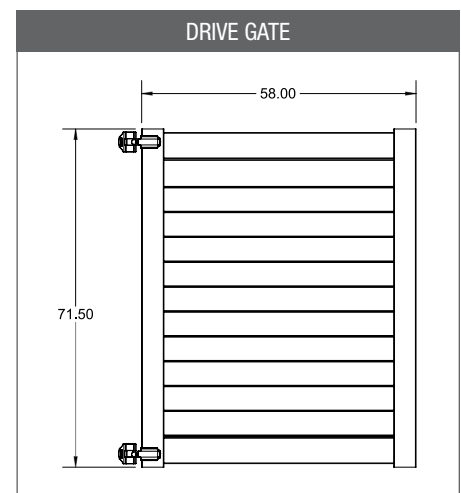
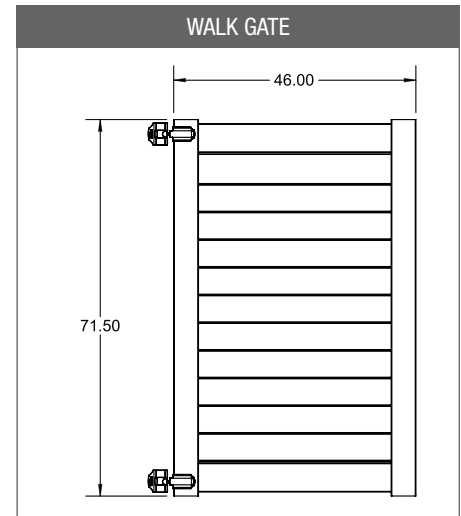
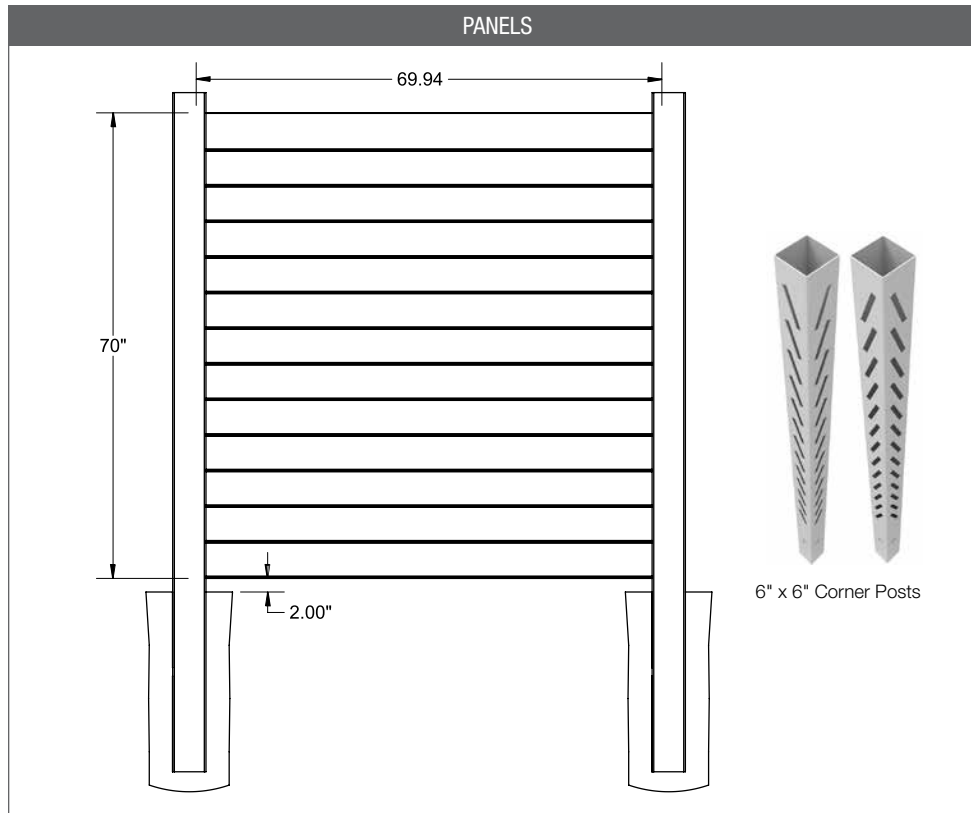
Rail Profile



LOUVERED PRIVACY

6' H x 6' W (70" HIGH)

| DESCRIPTION | White | | Sand | |
|---|----------|-----|----------|-----|
| | MFG# | QTY | MFG# | QTY |
| 6' x 6' Louvered Panel | 73050573 | | 73050574 | |
| 5" x 5" x 102" Line Post (ZE) | 73050554 | | 73050555 | |
| 5" x 5" x 102" Right End/Gate Post | 73050556 | | 73050557 | |
| 5" x 5" x 102" Left End/Gate Post | 73050558 | | 73050559 | |
| 6" x 6" x 102" Outside Louvered Corner Post | 73054350 | | 73054348 | |
| 6" x 6" x 102" Inside Louvered Corner Post | 73054351 | | 73054349 | |
| 5" x 5" Pyramid Post Cap | 73003093 | | 73003769 | |
| 5" x 5" Gothic Post Cap | 73007092 | | 73007093 | |
| 5" x 5" New England Post Cap | 73045003 | | 73045004 | |
| 6" x 6" Pyramid Post Cap | 73054353 | | 73054354 | |
| 6" x 6" New England Post Cap | 73054355 | | 73054356 | |
| 6' x 46" Louvered Walk Gate* | 73050570 | | 73050567 | |
| 6' x 58" Louvered Drive Gate* | 73050568 | | 73050571 | |

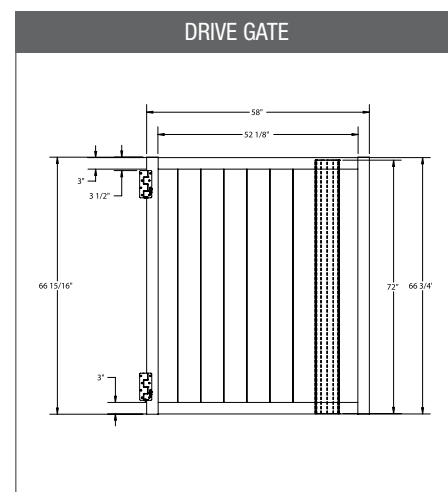
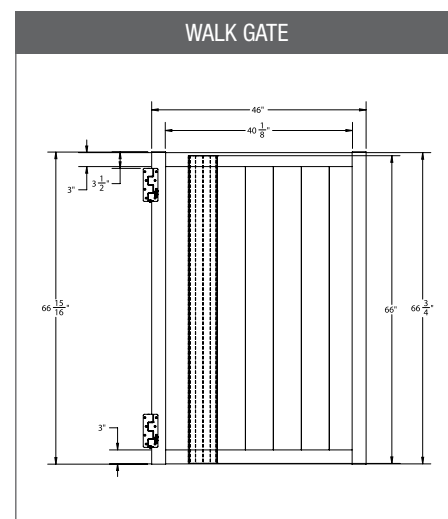
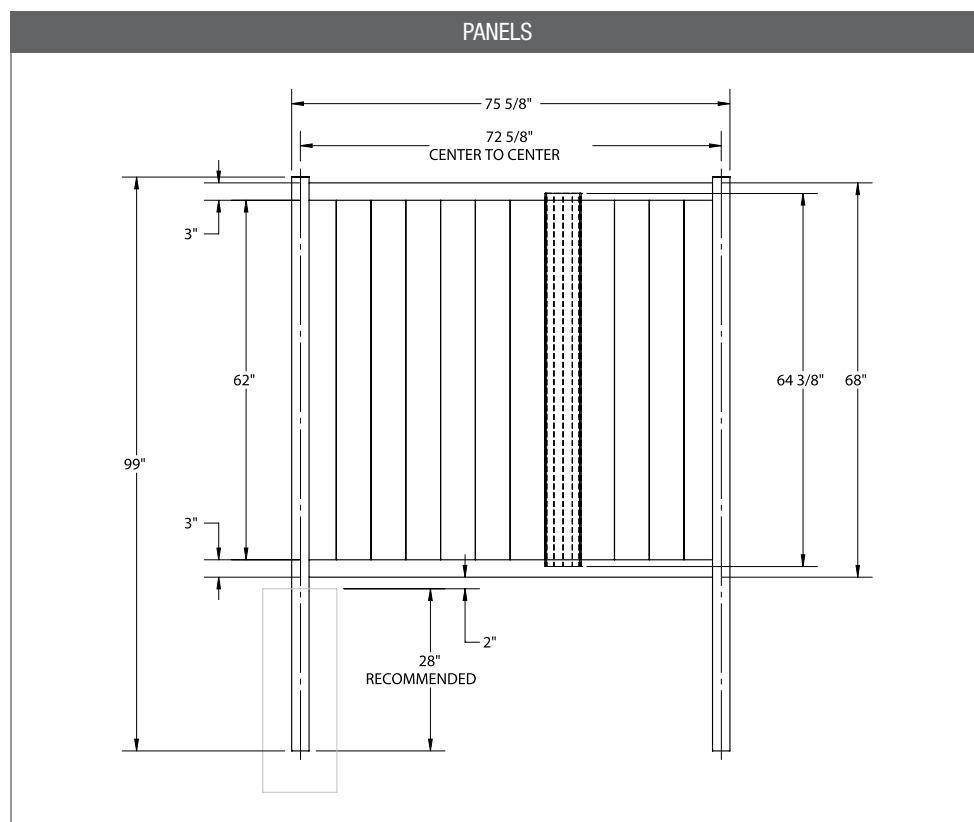


| FENCE PANEL COMPONENTS | |
|---|-----|
| DESCRIPTION | QTY |
| 3/4" x 5.94" x 69.94" Louvered Boards (.50) | 13 |

| HARDWARE | Black |
|--|----------|
| | SKU |
| Heavy-Duty Contemporary Wrap Hinge | 73014300 |
| Gate Handle | 73014320 |
| Gate Stop | 73014321 |
| 24" Heavy-Duty Drop Rod | 73014305 |
| Locking Gravity Latch 2-Sided Key Access | 73050187 |
| 5" x 5" x 106" Gate Post Insert | 73003463 |

6' H x 6' W • ALUMINUM POST & RAILS 70" HIGH) - CONT' NEXT PAGE

| DESCRIPTION | White | | Sand | | Clay | | Gray | |
|--|----------|-----|----------|-----|----------|-----|----------|-----|
| | MFG# | QTY | MFG# | QTY | MFG# | QTY | MFG# | QTY |
| 6' x 6' Mixed Material (70"H) | 73050013 | | 73050014 | | 73050015 | | 73050016 | |
| 3" x 3" x 99" Line Post In-Ground | 73047658 | | 73047658 | | 73047658 | | 73047658 | |
| 3" x 3" x 99" Corner Post In-Ground | 73047659 | | 73047659 | | 73047659 | | 73047659 | |
| 3" x 3" x 99" End Post In-Ground | 73047358 | | 73047358 | | 73047358 | | 73047358 | |
| 3" x 3" x 70" Line Post w/Surface Mount | 73047087 | | 73047087 | | 73047087 | | 73047087 | |
| 3" x 3" x 70" Corner Post w/Surface Mount | 73047356 | | 73047356 | | 73047356 | | 73047356 | |
| 3" x 3" x 70" End Post w/Surface Mount | 73047086 | | 73047086 | | 73047086 | | 73047086 | |
| 6' x 48" Mixed Material Walk Gate Kit (Vertical)* | 73050019 | | 73050060 | | 73050061 | | 73050062 | |
| 6' x 58" Mixed Material Drive Gate Kit (Vertical)* | 73050065 | | 73050066 | | 73050067 | | 73050068 | |
| 28" Step Groove Cover (Matte Black) | | | | | 73050075 | | | |
| ½" Spacer Kit (24 Pack) (Matte Black) | | | | | 73047667 | | | |
| Wood Infill Kit (Optional) | | | | | 73047660 | | | |



| FENCE PANEL COMPONENTS | |
|--------------------------------------|-----|
| DESCRIPTION | QTY |
| 1.17" x 2½" x 70.313" Rails | 2 |
| ⅞" x 6" x 72³⁄₁₆" T&G (0.035) Boards | 12 |



Also Available in Horizontal Configuration

| HARDWARE | Black |
|---|----------|
| | SKU |
| Heavy-Duty Contemporary Wrap Hinge | 73014300 |
| Gate Handle | 73014320 |
| Gate Stop | 73014321 |
| 24" Heavy-Duty Drop Rod | 73014305 |
| Locking Gravity Latch 2-Sided Key Access | 73050187 |
| MIXED MATERIAL COMPONENTS | |
| 2 Piece Channel Vinyl Infill Kit, Matte Black | 73050070 |
| 6" x 46" Gate Kit, Matte Black | 73050181 |
| 6" x 58" Gate Kit, Matte Black | 73050182 |

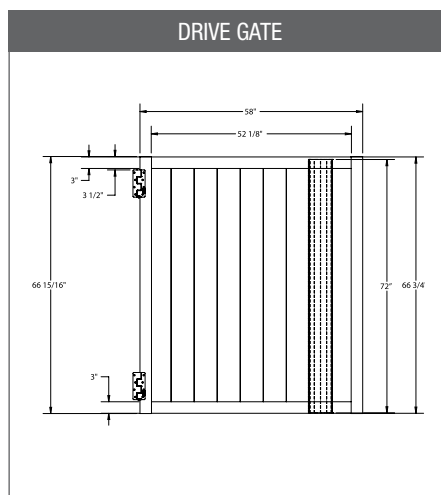
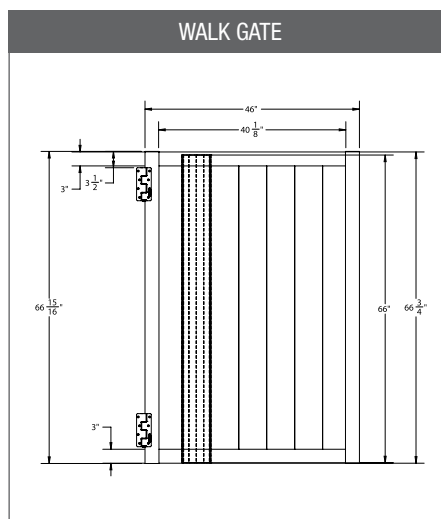
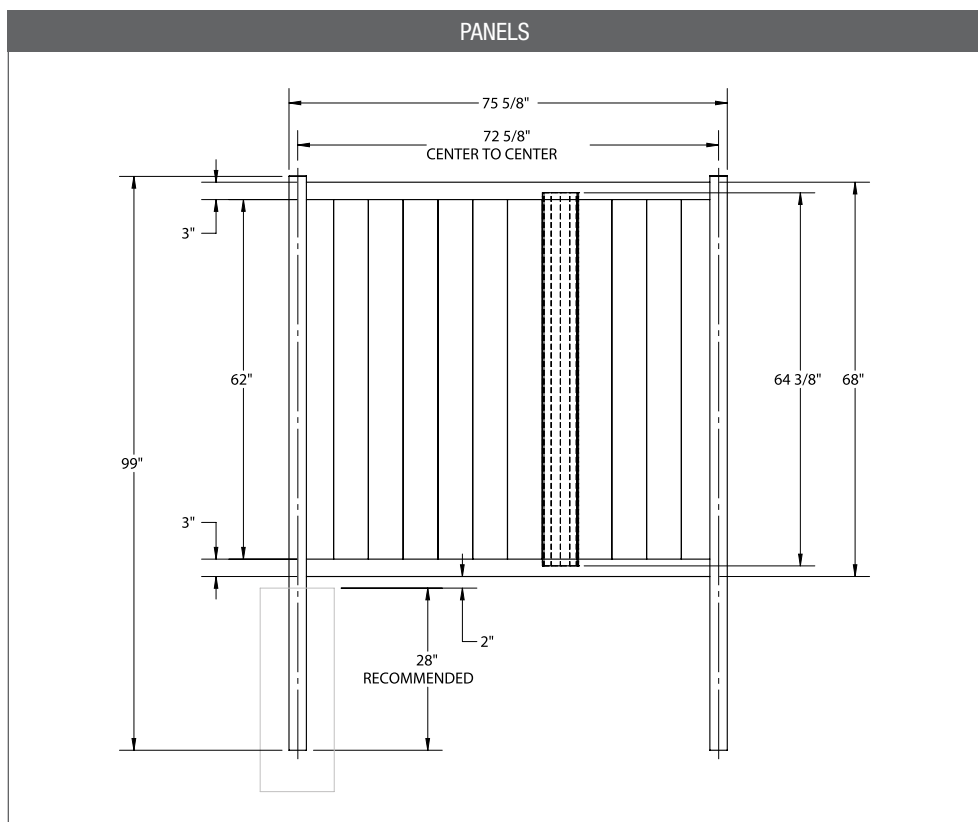
For vertical installation cut infill board length to 66-1/2". For horizontal installation use 11 infill boards and do not cut infill.



MIXED MATERIAL

6' H x 6' W • ALUMINUM POST & RAILS (70" HIGH) - CONT'

| DESCRIPTION | Cypress | | Driftwood | | Saddlewood | | Redwood | |
|--|----------|-----|-----------|-----|------------|-----|----------|-----|
| | MFG# | QTY | MFG# | QTY | MFG# | QTY | MFG# | QTY |
| 6' x 6' Mixed Material (70"H) | 73050018 | | 73050017 | | 73050273 | | 73050276 | |
| 3" x 3" x 99" Line Post In-Ground | 73047658 | | 73047658 | | 73047658 | | 73047658 | |
| 3" x 3" x 99" Corner Post In-Ground | 73047659 | | 73047659 | | 73047659 | | 73047659 | |
| 3" x 3" x 99" End Post In-Ground | 73047358 | | 73047358 | | 73047358 | | 73047358 | |
| 3" x 3" x 70" Line Post w/Surface Mount | 73047087 | | 73047087 | | 73047087 | | 73047087 | |
| 3" x 3" x 70" Corner Post w/Surface Mount | 73047356 | | 73047356 | | 73047356 | | 73047356 | |
| 3" x 3" x 70" End Post w/Surface Mount | 73047086 | | 73047086 | | 73047086 | | 73047086 | |
| 6' x 48" Mixed Material Walk Gate Kit (Vertical)* | 73050064 | | 73050063 | | 73026068 | | 73026066 | |
| 6' x 58" Mixed Material Drive Gate Kit (Vertical)* | 73050076 | | 73050069 | | 73026079 | | 73026077 | |
| 28" Step Groove Cover (Matte Black) | 73050075 | | | | | | | |
| 1/2" Spacer Kit (24 Pack) (Matte Black) | 73047667 | | | | | | | |
| Wood Infill Kit (Optional) | 73047660 | | | | | | | |



| FENCE PANEL COMPONENTS | |
|---|-----|
| DESCRIPTION | QTY |
| 1.17" x 2 1/2" x 70.313" Rails | 2 |
| 7/8" x 6" x 72 3/16" T&G (0.035) Boards | 12 |

| HARDWARE | Black |
|--|----------|
| | SKU |
| Heavy-Duty Contemporary Wrap Hinge | 73014300 |
| Gate Handle | 73014320 |
| Gate Stop | 73014321 |
| 24" Heavy-Duty Drop Rod | 73014305 |
| Locking Gravity Latch 2-Sided Key Access | 73050187 |

| MIXED MATERIAL COMPONENTS | |
|---|----------|
| 2 Piece Channel Vinyl Infill Kit, Matte Black | 73050070 |
| 6" x 46" Gate Kit, Matte Black | 73050181 |
| 6" x 58" Gate Kit, Matte Black | 73050182 |



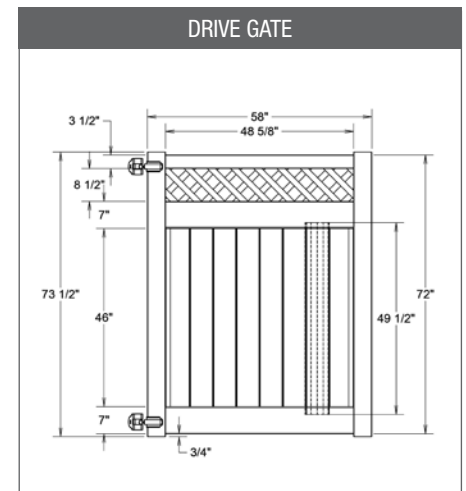
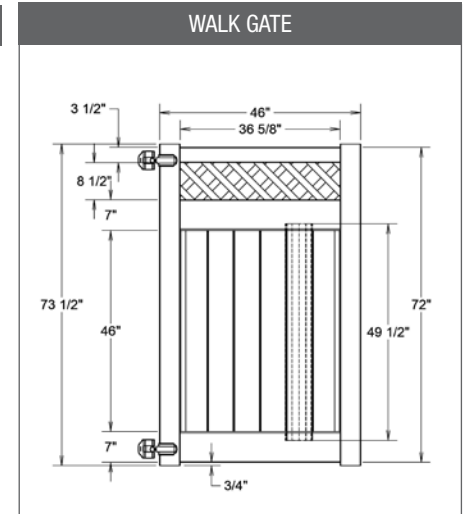
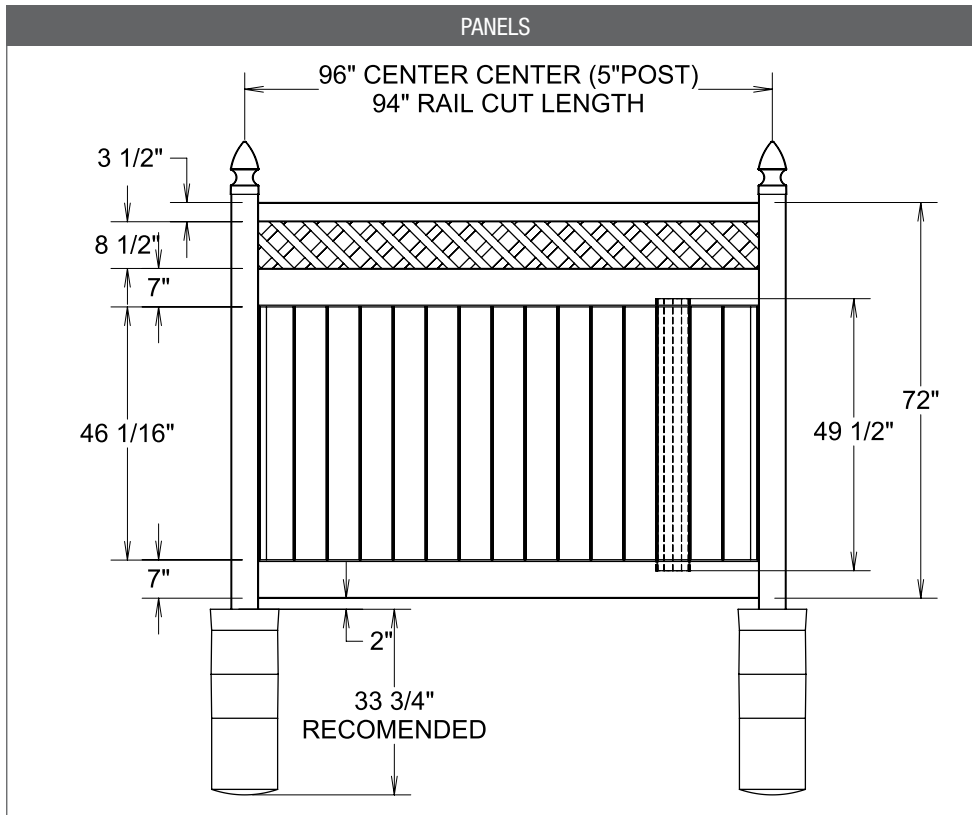
Also Available in Horizontal Configuration

For vertical installation cut infill board length to 66-1/2".
For horizontal installation use 11 infill boards and do not cut infill.



6' H x 8' W • 1 3/4" x 7" • RAIL (72" HIGH)

| DESCRIPTION | White | | Sand | | Clay | |
|---------------------------------------|----------|-----|----------|-----|----------|-----|
| | MFG# | QTY | MFG# | QTY | MFG# | QTY |
| 6' x 8' Lattice Top Panel (72") | 73040108 | | 73040114 | | 73053834 | |
| 5" x 5"x 108" Line Post | 73040109 | | 73040115 | | 73053837 | |
| 5" x 5"x 108" Corner Post | 73040110 | | 73040116 | | 73053838 | |
| 5" x 5"x 108" End Post | 73040111 | | 73040117 | | 73053833 | |
| 5" x 5" Pyramid Post Cap | 73003093 | | 73003769 | | 73054107 | |
| 5" x 5" Internal Post Cap | 73007092 | | 73007093 | | 73024884 | |
| 5" x 5" New England Post Cap | 73045003 | | 73045004 | | 73054108 | |
| 6' x 46" Lattice Top Walk Gate (72") | 73040112 | | 73040118 | | 73053835 | |
| 6' x 58" Lattice Top Drive Gate (72") | 73040113 | | 73040119 | | 73053836 | |



| FENCE PANEL COMPONENTS | |
|--|-----|
| DESCRIPTION | QTY |
| 1 3/4" x 7" x 94" Rail | 1 |
| 1 3/4" x 7" x 94" Rail w/Barb Slit | 1 |
| 7/8" x 6" x 49 1/2" T&G Boards | 15 |
| 2" x 3 1/2" x 94" Top Rail w/Slit & Lt | 1 |
| 1.02" x 1.379" x 46 3/8" U-Channel | 2 |
| 12" x 94" Classic Diamond Lattice | 1 |

| HARDWARE | Black |
|--|----------|
| | SKU |
| Heavy-Duty Contemporary Wrap Hinge | 73014300 |
| Gate Handle | 73014320 |
| Gate Stop | 73014321 |
| 24" Heavy-Duty Drop Rod | 73014305 |
| Locking Gravity Latch 2-Sided Key Access | 73050187 |
| 5" x 5" x 106" Gate Post Insert | 73003463 |



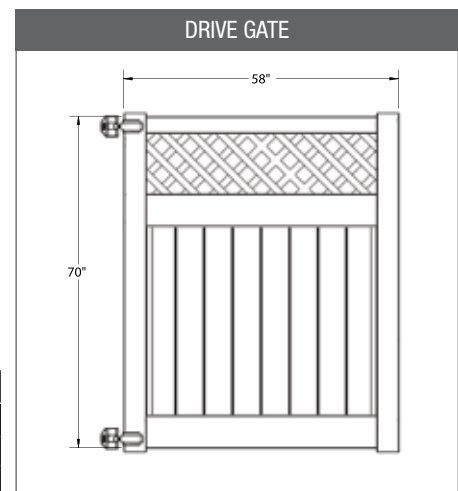
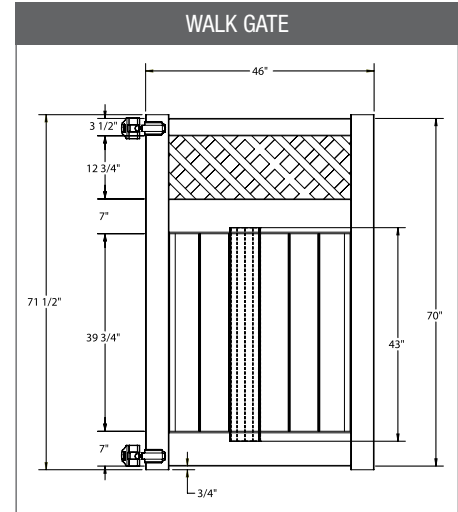
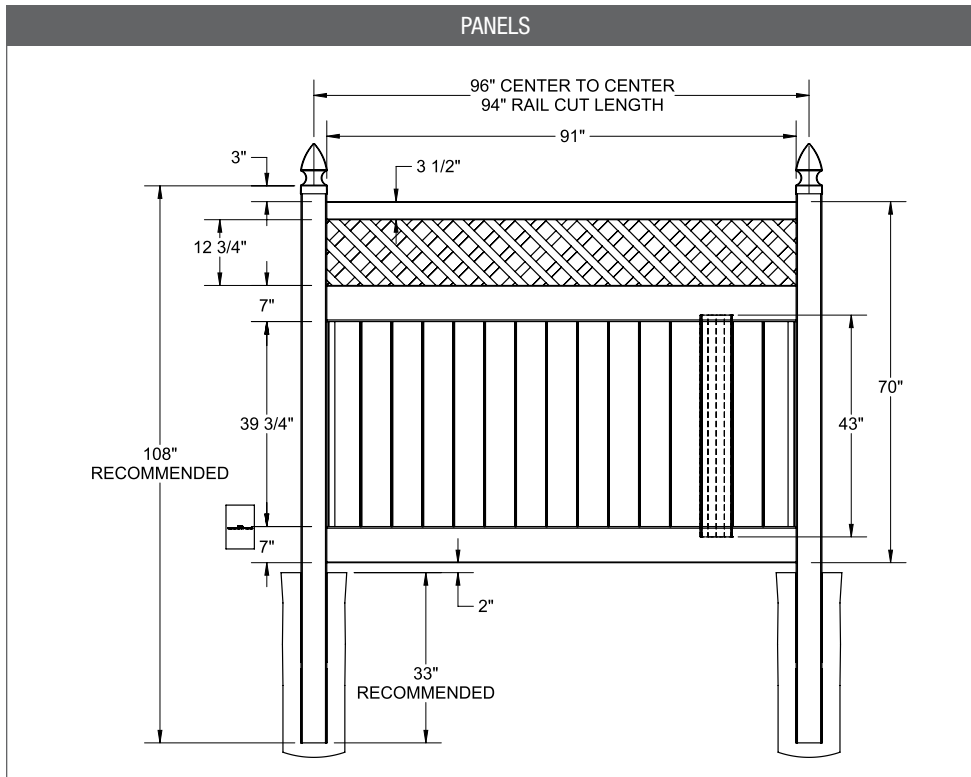
Rail Profile



LATTICE TOP PRIVACY

6' H x 8' W • 1 3/4" x 7" • RAIL (70" HIGH)

| DESCRIPTION | Cypress | |
|---------------------------------|----------|-----|
| | MFG# | QTY |
| 6' x 8' Lattice Top Panel (70") | 73025354 | |
| 5" x 5" x 108" Line Post | 73025355 | |
| 5" x 5" x 108" Corner Post | 73025356 | |
| 5" x 5" x 108" End Post | 73025357 | |
| 5" x 5" Pyramid Post Cap | 73013829 | |
| 5" x 5" Internal Post Cap | 73013827 | |
| 5" x 5" New England Post Cap | 73045007 | |
| 5' x 46" Lattice Top Walk Gate | 73025358 | |
| 5' x 58" Lattice Top Drive Gate | 73025359 | |



| FENCE PANEL COMPONENTS | |
|--|-----|
| DESCRIPTION | QTY |
| 1 3/4" x 7" x 94" Rail | 1 |
| 1 3/4" x 7" x 94" w/Barb Slit | 1 |
| 7/8" x 6" x 31" T&G Boards | 15 |
| U-Channel | 2 |
| 17 1/8" x 94" Classic Diamond Lattice | 1 |
| 2" x 3 1/2" x 94" Top Rail w/Slit & Lt | 1 |

| HARDWARE | Black |
|--|----------|
| | SKU |
| Heavy-Duty Contemporary Wrap Hinge | 73014300 |
| Gate Handle | 73014320 |
| Gate Stop | 73014321 |
| 24" Heavy-Duty Drop Rod | 73014305 |
| Locking Gravity Latch 2-Sided Key Access | 73050187 |
| 5" x 5" x 94" Gate Post Insert | 73012353 |

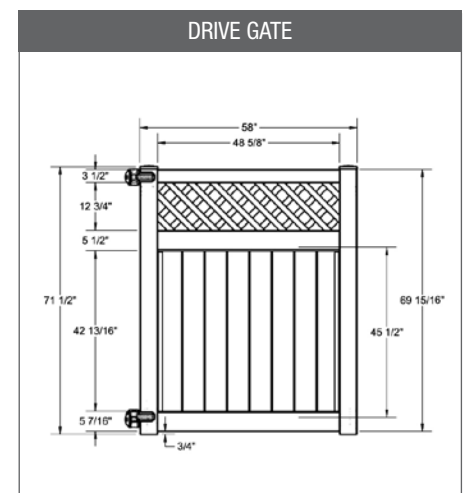
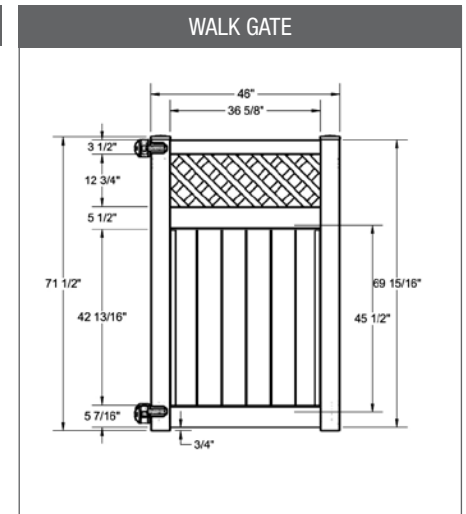
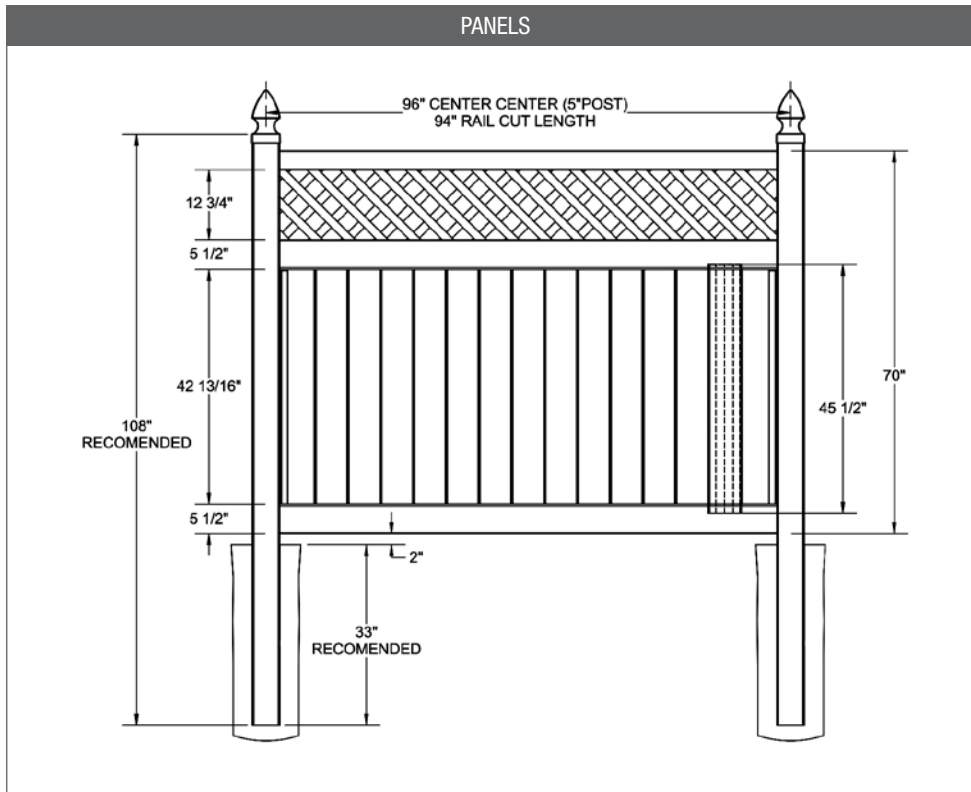


Rail Profile



6' H x 8' W • 1 3/4" x 5 1/2" RAIL (70" HIGH)

| DESCRIPTION | White | | Sand | |
|---------------------------------|----------|-----|----------|-----|
| | MFG# | QTY | MFG# | QTY |
| 6' x 8' Lattice Top Panel (70") | 73025137 | | 73025155 | |
| 5" x 5" x 108" Line Post | 73025138 | | 73025156 | |
| 5" x 5" x 108" Corner Post | 73025139 | | 73025158 | |
| 5" x 5" x 108" End Post | 73025140 | | 73025157 | |
| 5" x 5" Pyramid Post Cap | 73003093 | | 73003769 | |
| 5" x 5" Internal Post Cap | 73007092 | | 73007093 | |
| 5" x 5" New England Post Cap | 73045003 | | 73045004 | |
| 6' x 46" Lattice Top Walk Gate | 73025141 | | 73025159 | |
| 6' x 58" Lattice Top Drive Gate | 73025142 | | 73025160 | |



| FENCE PANEL COMPONENTS | |
|---|-----|
| DESCRIPTION | QTY |
| 1 3/4" x 5" x 94" Decorative Rail | 1 |
| 7/8" x 6" x 45 1/2" T&G Boards | 15 |
| 1 3/4" x 5.47" x 94" Top Rail w/Slit & Lt | 1 |
| 16" x 94" Classic Diamond Lattice | 1 |
| 1.02" x 1.379" x 43 1/8" U-Channel | 2 |

| HARDWARE | Black |
|--|----------|
| | SKU |
| Heavy-Duty Contemporary Wrap Hinge | 73014300 |
| Gate Handle | 73014320 |
| Gate Stop | 73014321 |
| 24" Heavy-Duty Drop Rod | 73014305 |
| Locking Gravity Latch 2-Sided Key Access | 73050187 |
| 5" x 5" x 106" Gate Post Insert | 73003463 |



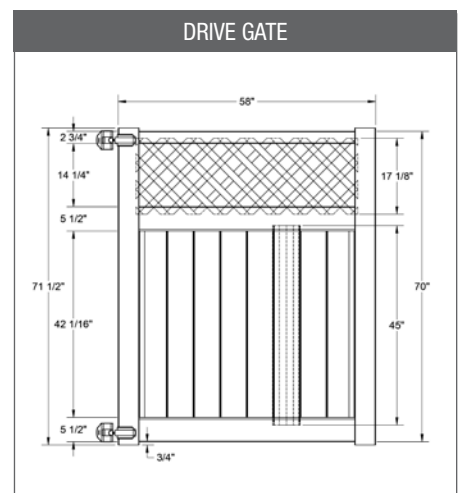
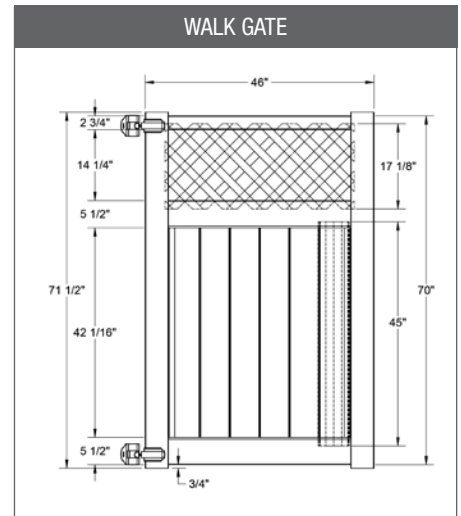
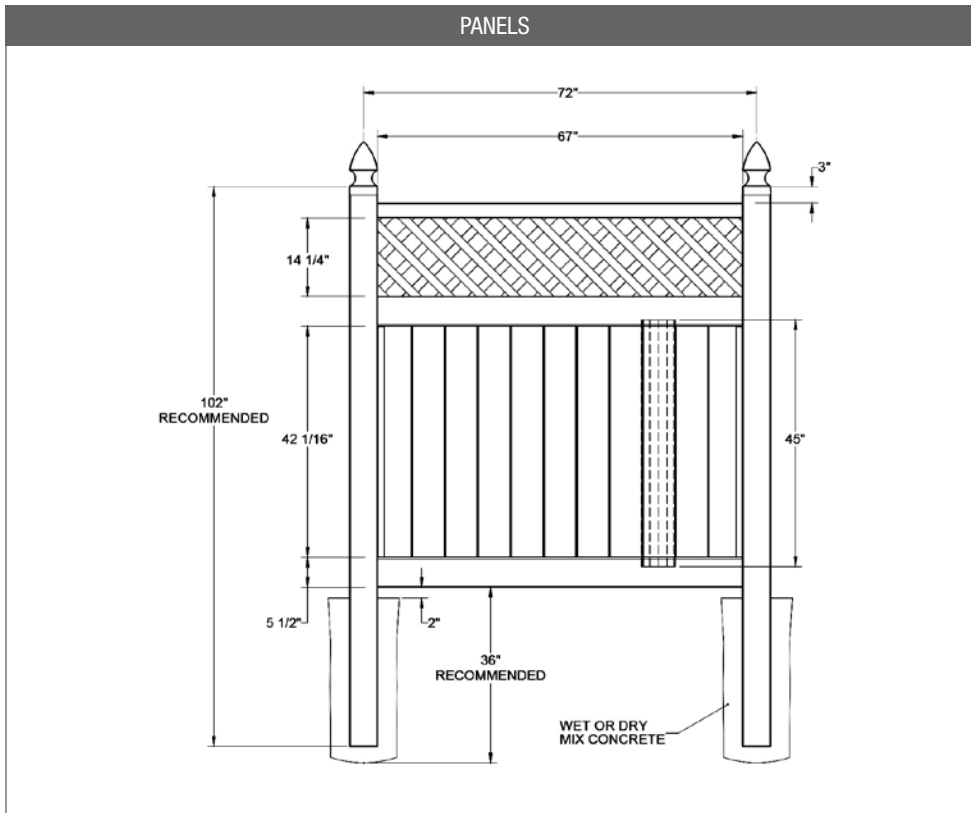
Rail Profile



LATTICE TOP PRIVACY

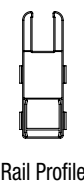
6' H x 6' W • 1 3/4" x 5 1/2" RAIL (70" HIGH)

| DESCRIPTION | White | | Sand | | Clay | |
|---------------------------------------|----------|-----|----------|-----|----------|-----|
| | MFG# | QTY | MFG# | QTY | MFG# | QTY |
| 6' x 6' Lattice Top Panel (70") | 73014375 | | 73014381 | | 73053761 | |
| 5" x 5" x 102" Line Post | 73014376 | | 73014382 | | 73053758 | |
| 5" x 5" x 102" Corner Post | 73014377 | | 73014383 | | 73053759 | |
| 5" x 5" x 102" End Post | 73014378 | | 73014384 | | 73053760 | |
| 5" x 5" Pyramid Post Cap | 73003093 | | 73003769 | | 73054107 | |
| 5" x 5" Internal Post Cap | 73007092 | | 73007093 | | 73024884 | |
| 5" x 5" New England Post Cap | 73045003 | | 73045004 | | 73054108 | |
| 6' x 46" Lattice Top Walk Gate (70") | 73024929 | | 73024928 | | 73054267 | |
| 6' x 58" Lattice Top Drive Gate (70") | 73024940 | | 73024939 | | 73054268 | |



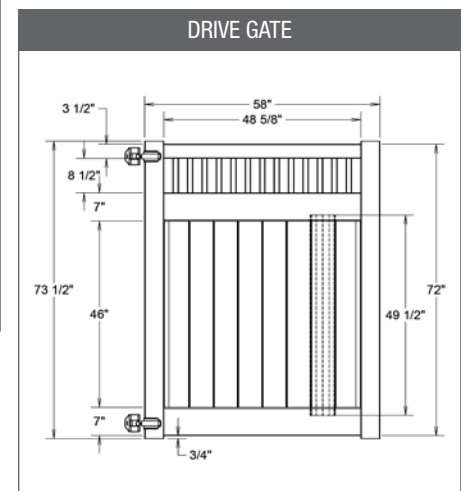
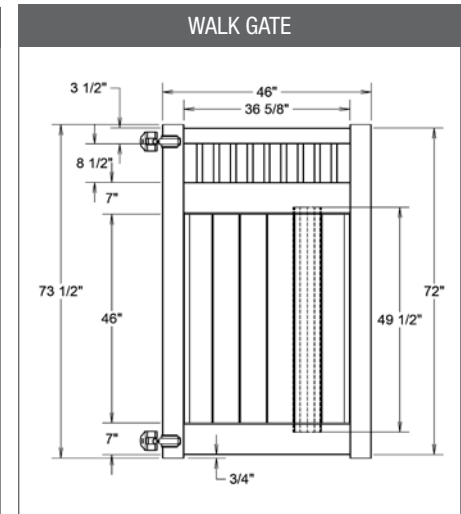
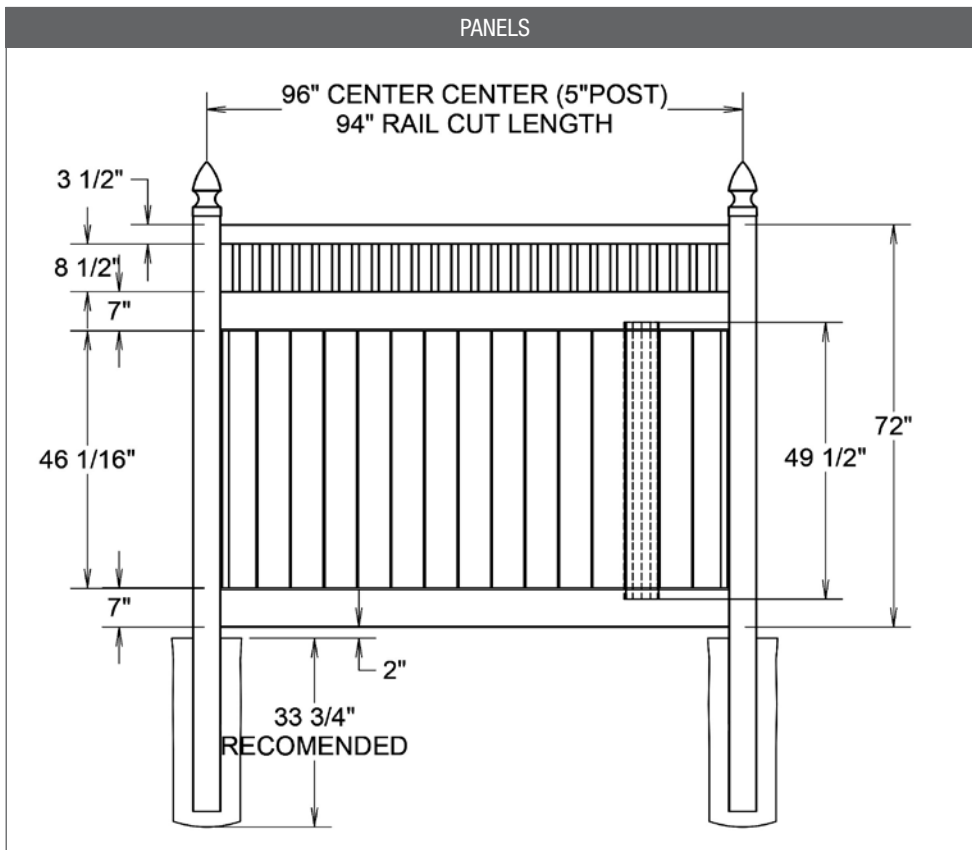
| FENCE PANEL COMPONENTS | |
|---|-----|
| DESCRIPTION | QTY |
| 1 3/4" x 2 3/4" x 70" Decorative Rail | 1 |
| 7/8" x 6" x 45" T&G Boards | 11 |
| 1 3/4" x 5.47" x 70" Top Rail w/Slit & Lt | 1 |
| 17" x 70" Classic Diamond Lattice | 1 |
| 42 1/2" U-Channel | 2 |

| HARDWARE | Black |
|--|----------|
| | SKU |
| Heavy-Duty Contemporary Wrap Hinge | 73014300 |
| Gate Handle | 73014320 |
| Gate Stop | 73014321 |
| 24" Heavy-Duty Drop Rod | 73014305 |
| Locking Gravity Latch 2-Sided Key Access | 73050187 |
| 5" x 5" x 100" Gate Post Insert | 73040719 |



6' H x 8' W • 1 3/4" x 7" RAIL (72" HIGH)

| DESCRIPTION | White | | Sand | | Clay | |
|--|----------|--|----------|--|----------|--|
| | MFG# | | MFG# | | MFG# | |
| 6' x 8' Closed Spindle Top Panel (72") | 73040162 | | 73040168 | | 73053860 | |
| 5" x 5" x 108" Line Post | 73040163 | | 73040169 | | 73053857 | |
| 5" x 5" x 108" Corner Post | 73040164 | | 73040170 | | 73053858 | |
| 5" x 5" x 108" End Post | 73040165 | | 73040171 | | 73053859 | |
| 5" x 5" Pyramid Post Cap | 73003093 | | 73003769 | | 73054107 | |
| 5" x 5" Internal Post Cap | 73007092 | | 73007093 | | 73024884 | |
| 5" x 5" New England Post Cap | 73045003 | | 73045004 | | 73054108 | |
| 6' x 46" Closed Spindle Top Walk Gate (72") | 73024929 | | 73024928 | | 73054267 | |
| 6' x 58" Closed Spindle Top Drive Gate (72") | 73040167 | | 73040173 | | 73053856 | |



| FENCE PANEL COMPONENTS | |
|-----------------------------------|-----|
| DESCRIPTION | QTY |
| 1 3/4" x 7" x 94" Rail | 2 |
| 2" x 3 1/2" x 94" Rail | 1 |
| 7/8" x 6" x 45 1/2" T&G Boards | 15 |
| 1.02" x 1.39" x 46 3/8" U-Channel | 2 |
| 1 3/8" x 1 3/8" x 13 3/4" Pickets | 25 |

| HARDWARE | Black |
|--|----------|
| | SKU |
| Heavy-Duty Contemporary Wrap Hinge | 73014300 |
| Gate Handle | 73014320 |
| Gate Stop | 73014321 |
| 24" Heavy-Duty Drop Rod | 73014305 |
| Locking Gravity Latch 2-Sided Key Access | 73050187 |
| 5" x 5" x 106" Gate Post Insert | 73003463 |



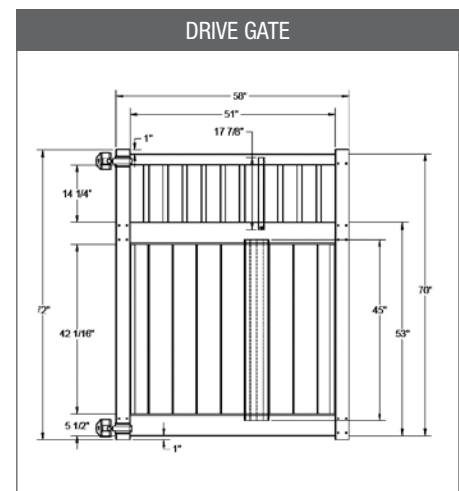
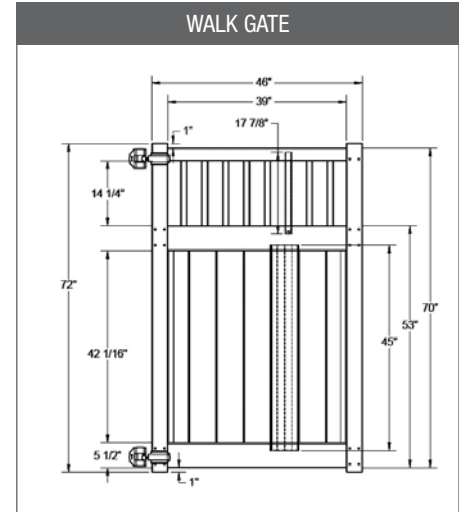
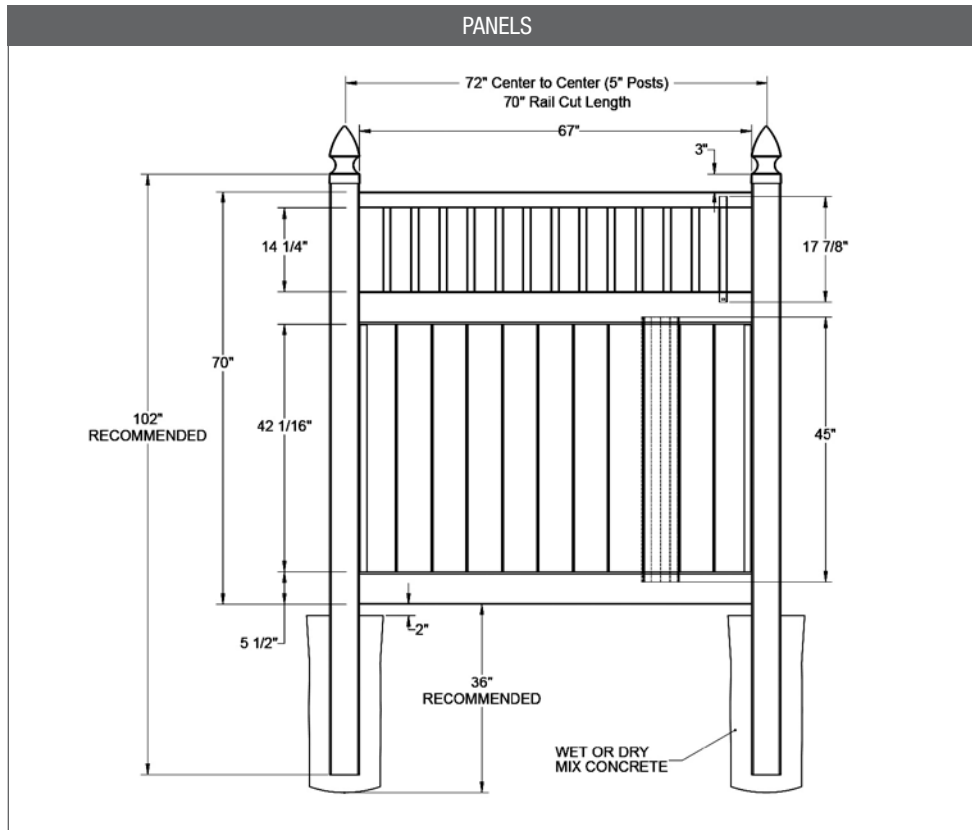
Rail Profile



SPINDLE TOP PRIVACY — CLOSED

6' H x 6' W • 1 3/4" x 5 1/2" RAIL (70" HIGH)

| DESCRIPTION | White | | Sand | |
|--|----------|-----|----------|-----|
| | MFG# | QTY | MFG# | QTY |
| 6' x 6' Closed Spindle Top Panel (70") | 73014498 | | 73014504 | |
| 5" x 5" x 102" Line Post | 73014501 | | 73014507 | |
| 5" x 5" x 102" Corner Post | 73014499 | | 73014505 | |
| 5" x 5" x 102" End Post | 73014500 | | 73014506 | |
| 5" x 5" Pyramid Post Cap | 73003093 | | 73003769 | |
| 5" x 5" Internal Post Cap | 73007092 | | 73007093 | |
| 5" x 5" New England Post Cap | 73045003 | | 73045004 | |
| 6' x 46" Closed Spindle Top Walk Gate (70") | 73025413 | | 73025415 | |
| 6' x 58" Closed Spindle Top Drive Gate (70") | 73025414 | | 73025416 | |



| FENCE PANEL COMPONENTS | |
|--------------------------------------|-----|
| DESCRIPTION | QTY |
| 1 3/4" x 5.47" x 70" Decorative Rail | 2 |
| 1 3/4" x 2 3/4" x 70" Rail | 1 |
| 1 7/8" x 1 7/8" x 17 7/8" Pickets | 13 |
| 42 1/2" U-Channel | 2 |
| 7/8" x 6" x 45" T&G Boards | 11 |

| HARDWARE | Black |
|--|----------|
| | SKU |
| Heavy-Duty Contemporary Wrap Hinge | 73014300 |
| Gate Handle | 73014320 |
| Gate Stop | 73014321 |
| 24" Heavy-Duty Drop Rod | 73014305 |
| Locking Gravity Latch 2-Sided Key Access | 73050187 |
| 5" x 5" x 100" Gate Post Insert | 73040719 |

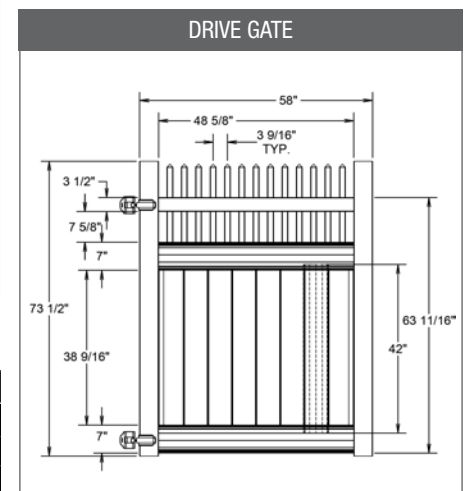
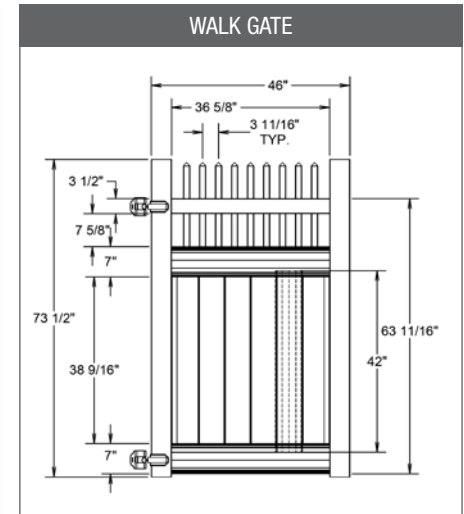
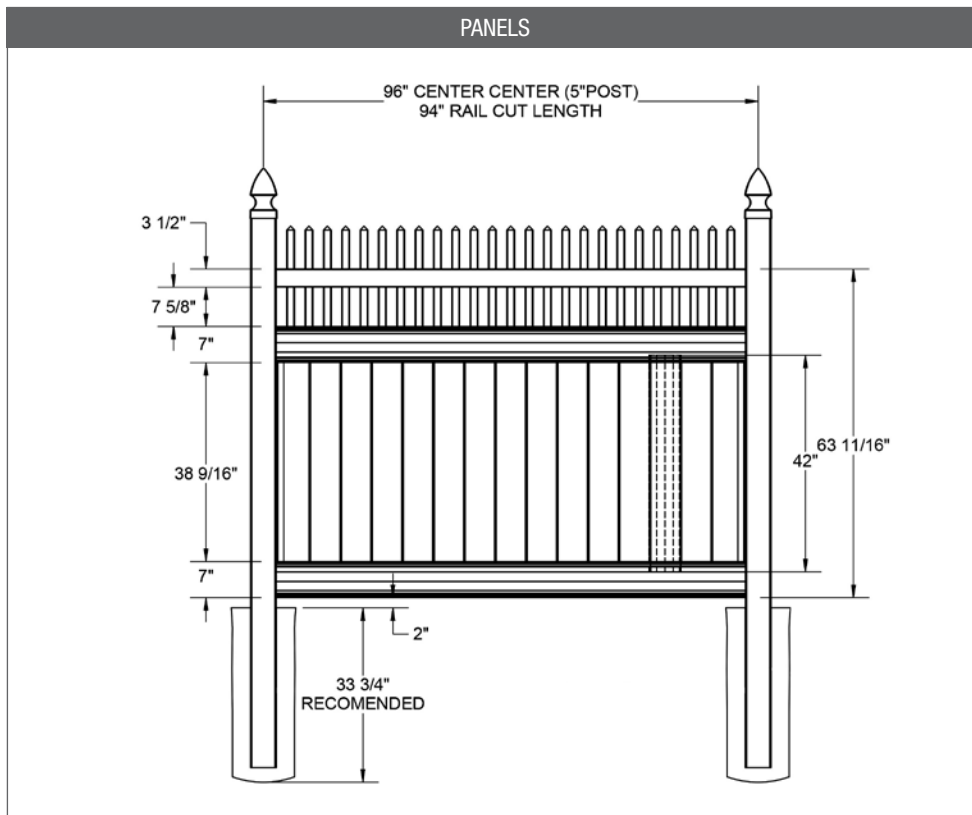


Rail Profile



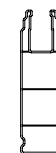
6' H x 8' W • 2" x 7" DECORATIVE RAIL (72" HIGH)

| DESCRIPTION | White | | Sand | | Clay | |
|--|----------|--|----------|--|----------|--|
| | MFG# | | MFG# | | MFG# | |
| 6' x 8' Open Spindle Top Panel (72") | 73040049 | | 73040055 | | 73053825 | |
| 5" x 5" x 108" Line Post | 73028029 | | 73025794 | | 73053926 | |
| 5" x 5" x 108" Corner Post | 73028030 | | 73025795 | | 73053927 | |
| 5" x 5" x 108" End Post | 73028031 | | 73025796 | | 73053928 | |
| 5" x 5" Pyramid Post Cap | 73003093 | | 73003769 | | 73054107 | |
| 5" x 5" Internal Post Cap | 73007092 | | 73007093 | | 73024884 | |
| 5" x 5" New England Post Cap | 73045003 | | 73045004 | | 73054108 | |
| 6' x 46" Open Spindle Top Walk Gate (72") | 73040053 | | 73040060 | | 73053821 | |
| 6' x 58" Open Spindle Top Drive Gate (72") | 73040054 | | 73040061 | | 73053822 | |



| FENCE PANEL COMPONENTS | |
|-----------------------------------|-----|
| DESCRIPTION | QTY |
| 2" x 7" x 94" Rail | 2 |
| 2" x 3 1/2" x 94" Rail | 1 |
| 1.02" x 1.39" x 39" U-Channels | 2 |
| 7/8" x 6" x 42" T&G Boards | 15 |
| 1 1/2" x 1 1/2" x 20.815" Pickets | 25 |

| HARDWARE | Black |
|--|----------|
| | SKU |
| Heavy-Duty Contemporary Wrap Hinge | 73014300 |
| Gate Handle | 73014320 |
| Gate Stop | 73014321 |
| 24" Heavy-Duty Drop Rod | 73014305 |
| Locking Gravity Latch 2-Sided Key Access | 73050187 |
| 5" x 5" x 106" Gate Post Insert | 73003463 |



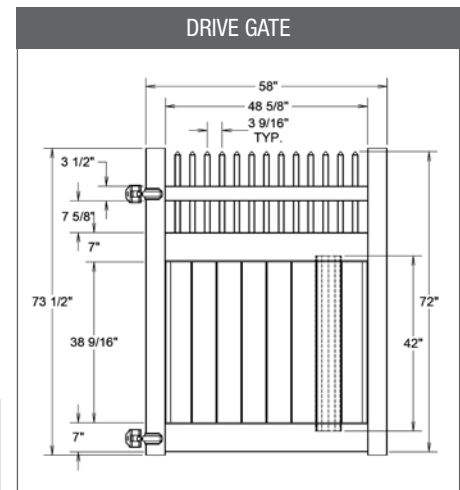
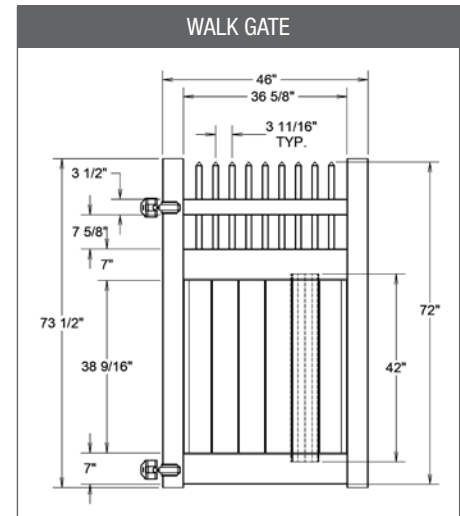
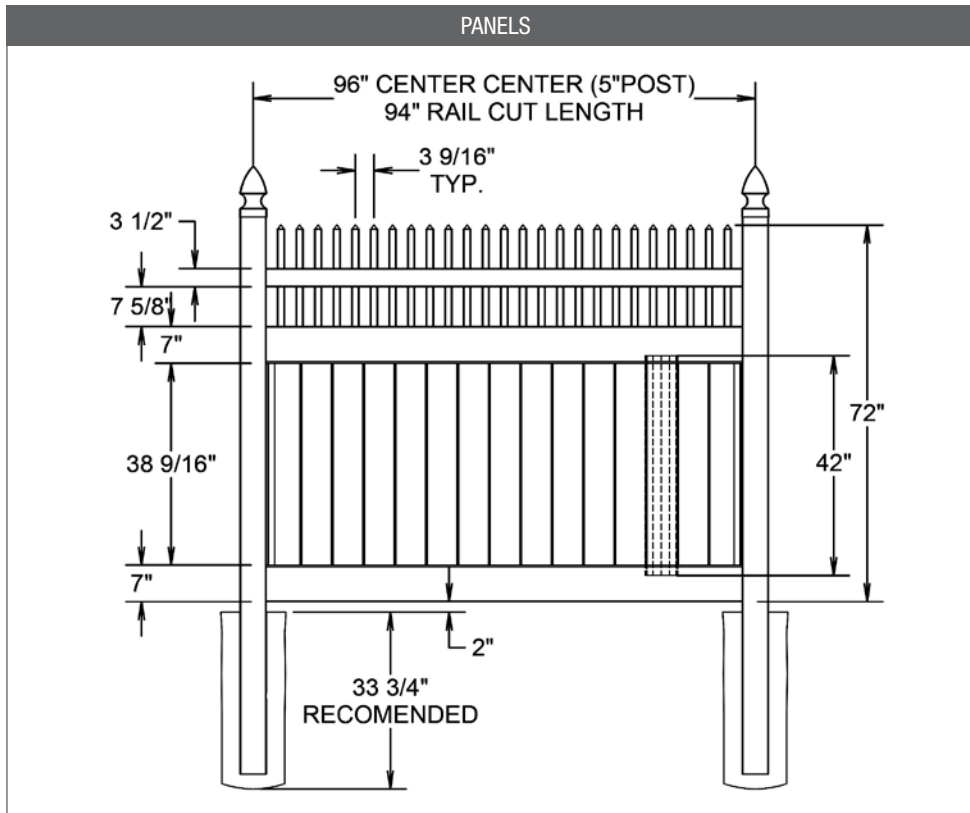
Rail Profile



SPINDLE TOP PRIVACY — OPEN

6' H x 8' W • 1 3/4" x 7" RAIL (72" HIGH)

| DESCRIPTION | White | | Sand | | Clay | |
|--|----------|-----|----------|-----|----------|-----|
| | MFG# | QTY | MFG# | QTY | MFG# | QTY |
| 6' x 8' Open Spindle Top Panel (72") | 73040126 | | 73040132 | | 73053851 | |
| 5" x 5" x 108" Line Post | 73040127 | | 73040133 | | 73053845 | |
| 5" x 5" x 108" Corner Post | 73040128 | | 73040134 | | 73053846 | |
| 5" x 5" x 108" End Post | 73040129 | | 73040135 | | 73053847 | |
| 5" x 5" Pyramid Post Cap | 73003093 | | 73003769 | | 73054107 | |
| 5" x 5" Internal Post Cap | 73007092 | | 73007093 | | 73024884 | |
| 5" x 5" New England Post Cap | 73045003 | | 73045004 | | 73054108 | |
| 6' x 46" Open Spindle Top Walk Gate (72") | 73040130 | | 73040136 | | 73053839 | |
| 6' x 58" Open Spindle Top Drive Gate (72") | 73040131 | | 73040137 | | 73053840 | |



| FENCE PANEL COMPONENTS | |
|---|-----|
| DESCRIPTION | QTY |
| 2" X 3 1/2" X 94" Rail | 1 |
| 1 3/4" x 7" x 94" Decorative Rail | 2 |
| 1.02" x 1.379" x 39" U-Channels | 2 |
| 7/8" x 6" x 42" T&G Boards | 15 |
| 1 3/4" x 1 3/4" x 22" Pyramid Post Caps | 25 |

| HARDWARE | Black |
|--|----------|
| | SKU |
| Heavy-Duty Contemporary Wrap Hinge | 73014300 |
| Gate Handle | 73014320 |
| Gate Stop | 73014321 |
| 24" Heavy-Duty Drop Rod | 73014305 |
| Locking Gravity Latch 2-Sided Key Access | 73050187 |
| 5" x 5" x 106" Gate Post Insert | 73003463 |

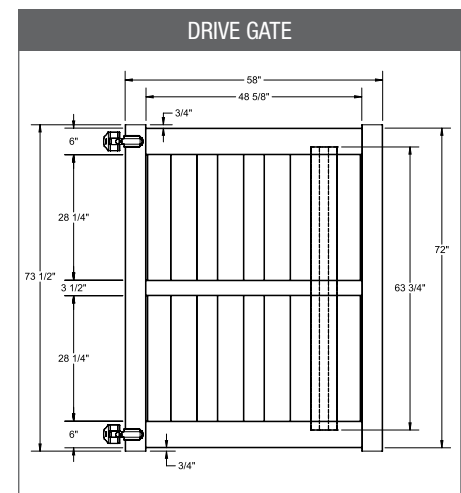
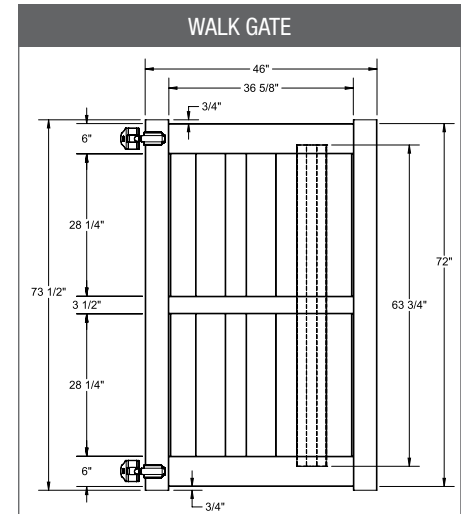
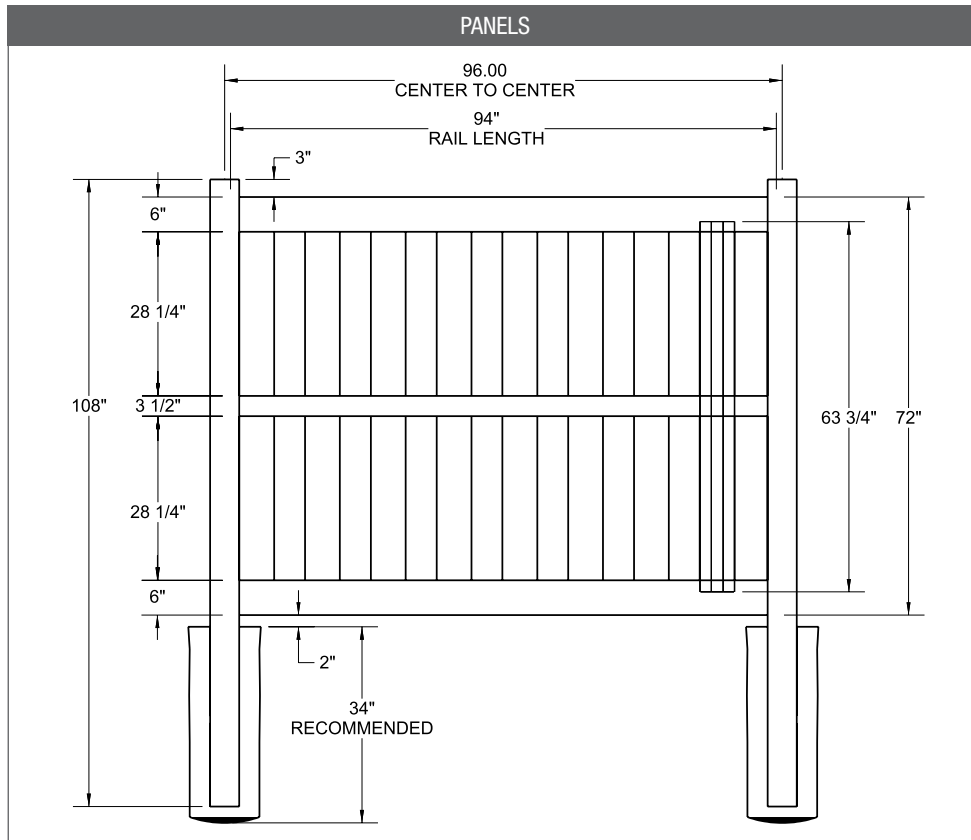


Rail Profile



6' H x 8' W • SHADOWBOX (72" HIGH)

| DESCRIPTION | White | | Sand | | Clay | |
|-------------------------------|----------|-----|----------|-----|----------|-----|
| | MFG# | QTY | MFG# | QTY | MFG# | QTY |
| 6' x 8' Shadowbox (72"H) | 73045693 | | 73045697 | | 73053729 | |
| 5" x 5" x 108" Line Post | 73011418 | | 73011424 | | 73053726 | |
| 5" x 5" x 108" Corner Post | 73011419 | | 73011425 | | 73053727 | |
| 5" x 5" x 108" End/Gate Post | 73011420 | | 73011426 | | 73053728 | |
| 5" x 5" Pyramid Post Cap | 73003093 | | 73003769 | | 73054107 | |
| 5" x 5" Internal Post Cap | 73007092 | | 73007093 | | 73024884 | |
| 5" x 5" New England Post Cap | 73045003 | | 73045004 | | 73054108 | |
| 6" x 46" Shadowbox Walk Gate | 73045695 | | 73045699 | | 73053724 | |
| 6" x 58" Shadowbox Drive Gate | 73045696 | | 73045700 | | 73053725 | |



| FENCE PANEL COMPONENTS | |
|-------------------------------------|-----|
| DESCRIPTION | QTY |
| 2" x 6" x 94" Rails | 2 |
| 2" x 3 1/2" x 94" Rail | 1 |
| .55" x 6" x 63 3/4" Boards | 16 |
| Aluminum Insert 1.77" x 1.85" x 93" | 1 |

| HARDWARE | Black |
|--|----------|
| | SKU |
| Heavy-Duty Contemporary Wrap Hinge | 73014300 |
| Gate Handle | 73014320 |
| Gate Stop | 73014321 |
| 24" Heavy-Duty Drop Rod | 73014305 |
| Locking Gravity Latch 2-Sided Key Access | 73050187 |
| 5" x 5" x 106" Gate Post Insert | 73003463 |

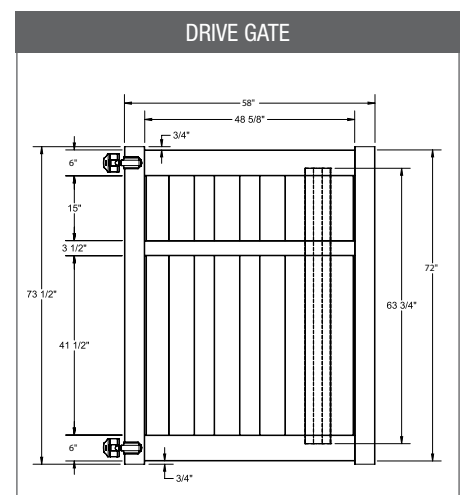
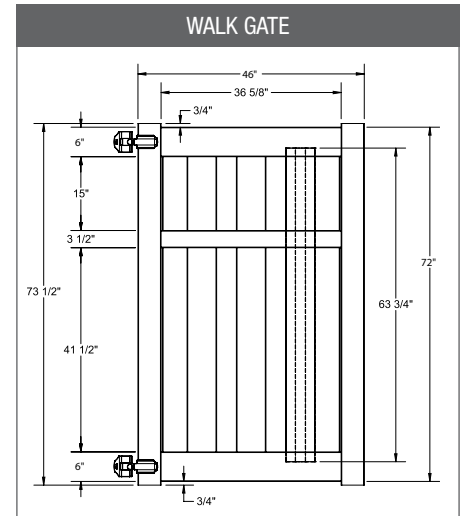
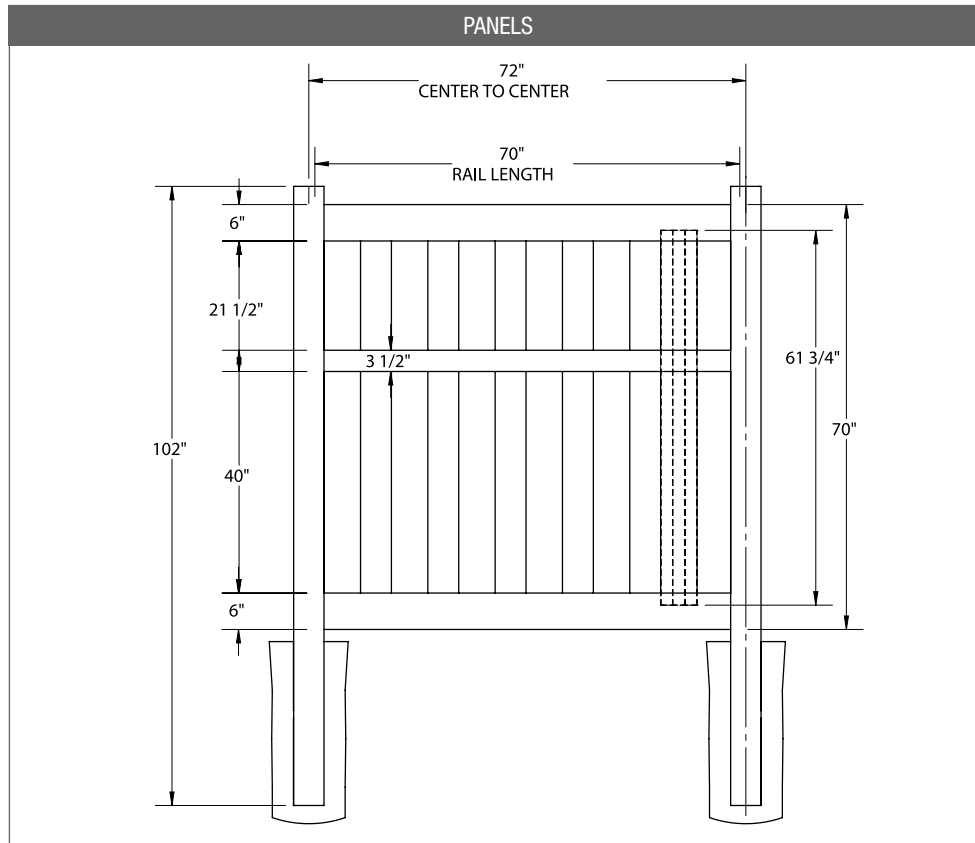


Rail Profile



6' H x 8' W • SHADOWBOX POOL CODE (72" HIGH)

| DESCRIPTION | White | | Sand | | Clay | |
|---|----------|-----|----------|-----|----------|-----|
| | MFG# | QTY | MFG# | QTY | MFG# | QTY |
| 6' x 8' Shadowbox Panel (72") | 73045693 | | 73045697 | | 73053729 | |
| 5" x 5" x 108" Line Post Pool Code | 73047029 | | 73047032 | | 73053803 | |
| 5" x 5" x 108" Corner Post Pool Code | 73047030 | | 73047033 | | 73053804 | |
| 5" x 5" x 108" End Post Pool Code | 73047031 | | 73047034 | | 73053805 | |
| 5" x 5" Pyramid Post Cap | 73003093 | | 73003769 | | 73054107 | |
| 5" x 5" Internal Post Cap | 73007092 | | 73007093 | | 73024884 | |
| 5" x 5" New England Post Cap | 73045003 | | 73045004 | | 73054108 | |
| 6' x 46" Shadowbox Pool Code Walk Gate (72") | 73047038 | | 73047040 | | 73053801 | |
| 6' x 58" Shadowbox Pool Code Drive Gate (72") | 73047039 | | 73047041 | | 73053802 | |



| FENCE PANEL COMPONENTS | |
|-------------------------------------|-----|
| DESCRIPTION | QTY |
| 2" x 6" x 94" Rails | 2 |
| 2" x 3 1/2" x 94" Rail | 1 |
| .55" x 6" x 63 3/4" Boards | 16 |
| Aluminum Insert 1.77" x 1.85" x 93" | 1 |

| HARDWARE | Black |
|--|----------|
| | SKU |
| Heavy-Duty Contemporary Wrap Hinge | 73014300 |
| Gate Handle | 73014320 |
| Gate Stop | 73014321 |
| 24" Heavy-Duty Drop Rod | 73014305 |
| Locking Gravity Latch 2-Sided Key Access | 73050187 |
| 5" x 5" x 106" Gate Post Insert | 73003463 |

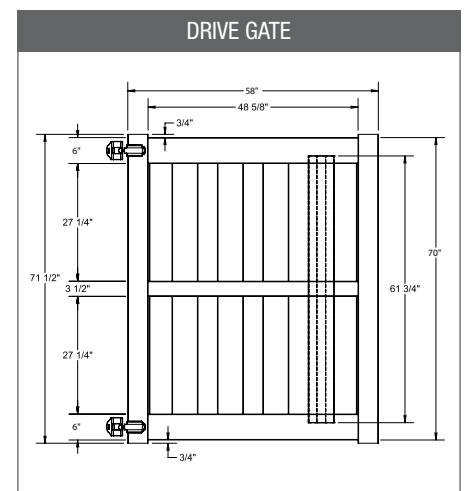
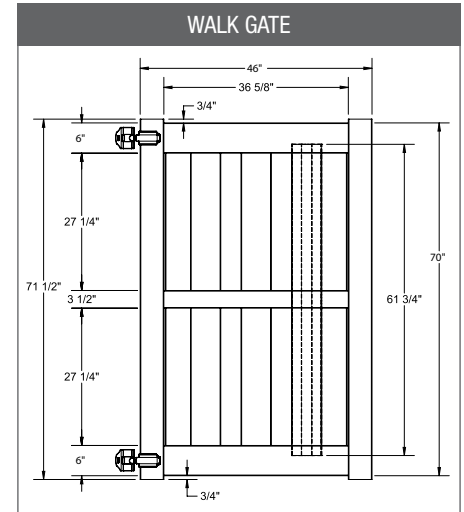
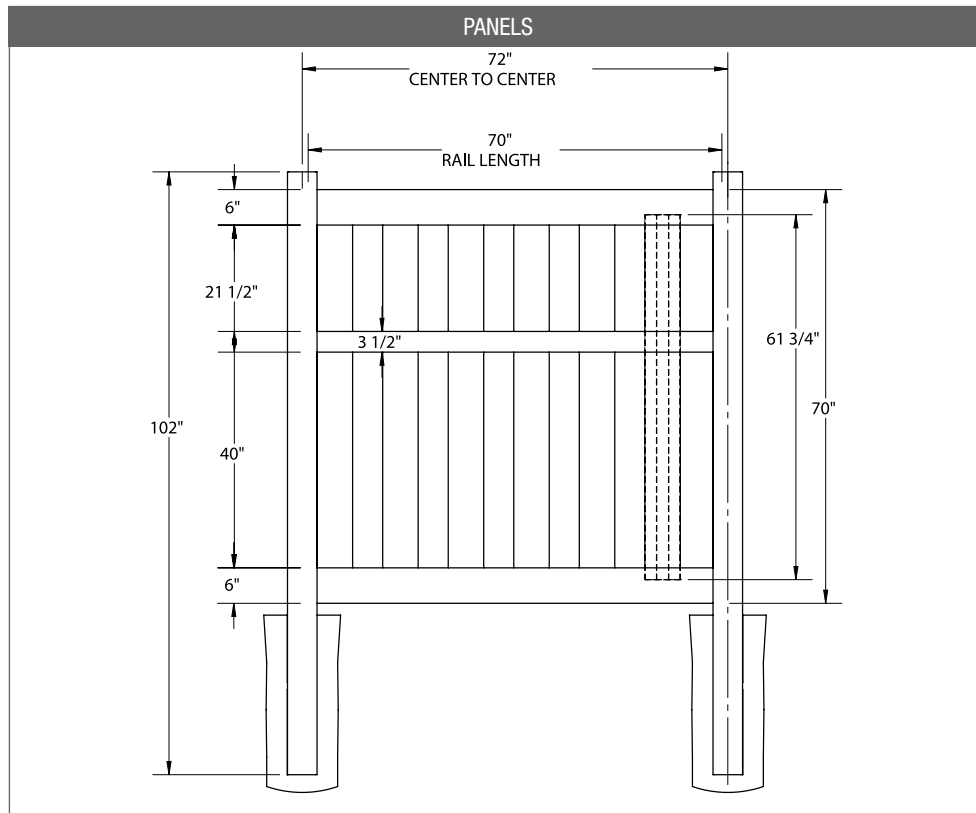


Rail Profile



6' H x 6' W • SHADOWBOX (70" HIGH)

| DESCRIPTION | White | | Sand | |
|-------------------------------|----------|-----|----------|-----|
| | MFG# | QTY | MFG# | QTY |
| 6' x 6' Shadowbox Panel (70") | 73045694 | | 73045698 | |
| 5" x 5" x 102" Line Post | 73046999 | | 73047002 | |
| 5" x 5" x 102" Corner Post | 73047000 | | 73047003 | |
| 5" x 5" x 102" End Post | 73047001 | | 73047004 | |
| 5" x 5" Pyramid Post Cap | 73003093 | | 73003769 | |
| 5" x 5" Internal Post Cap | 73007092 | | 73007093 | |
| 5" x 5" New England Post Cap | 73045003 | | 73045004 | |
| 6' x 46" Shadowbox Walk Gate | 73047008 | | 73047010 | |
| 6' x 58" Shadowbox Drive Gate | 73047009 | | 73047011 | |



| FENCE PANEL COMPONENTS | |
|----------------------------|-----|
| DESCRIPTION | QTY |
| 2" x 6" x 70" Rails | 2 |
| 2" x 3" x 70" Rail | 1 |
| .55" x 6" x 61 3/4" Boards | 12 |

| HARDWARE | Black |
|--|----------|
| | SKU |
| Heavy-Duty Contemporary Wrap Hinge | 73014300 |
| Gate Handle | 73014320 |
| Gate Stop | 73014321 |
| 24" Heavy-Duty Drop Rod | 73014305 |
| Locking Gravity Latch 2-Sided Key Access | 73050187 |
| 5" x 5" x 100" Gate Post Insert | 73040719 |

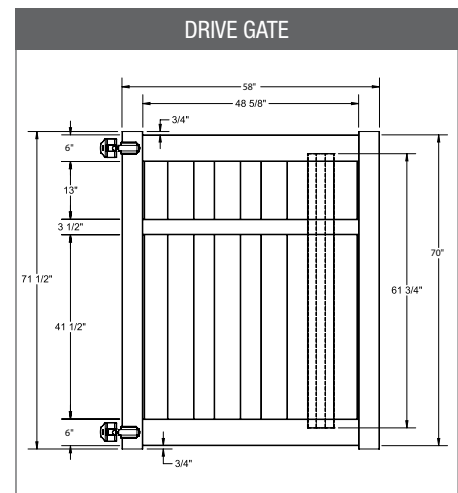
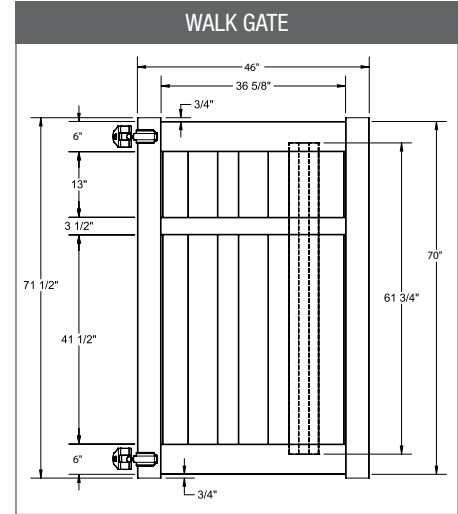
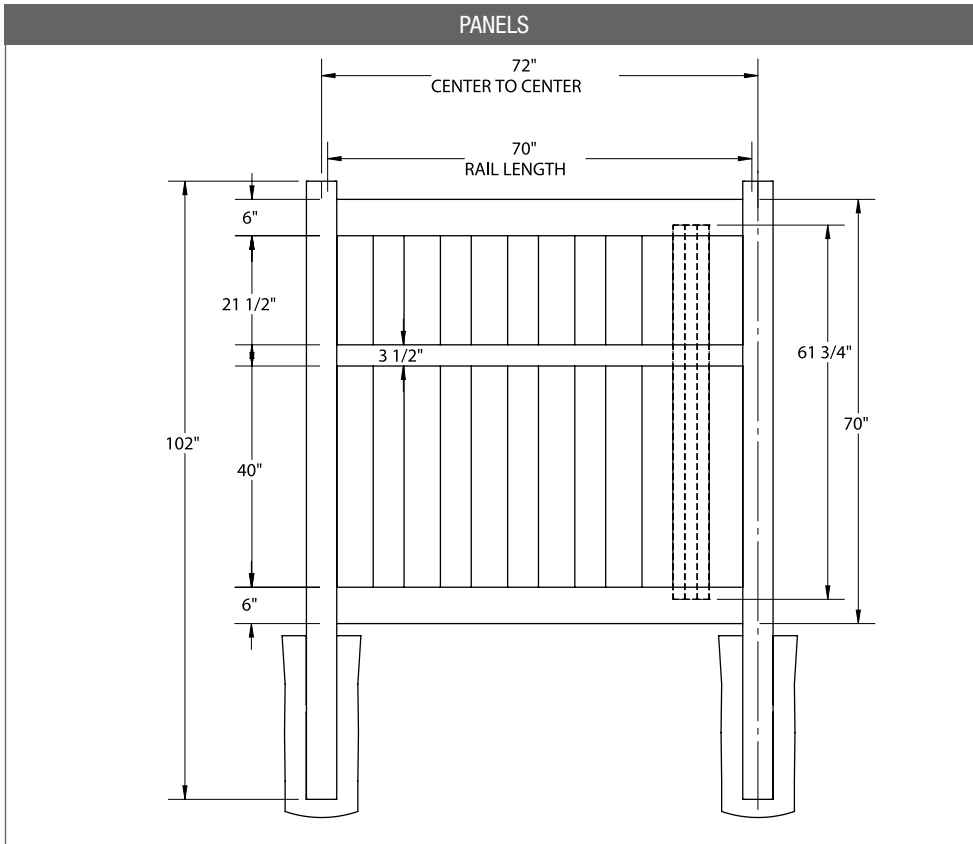


Rail Profile



6' H x 6' W • SHADOWBOX POOL CODE (70" HIGH)

| DESCRIPTION | White | | Sand | | Clay | |
|---|----------|-----|----------|-----|----------|-----|
| | MFG# | QTY | MFG# | QTY | MFG# | QTY |
| 6' x 6' Shadowbox Panel (70") | 73045694 | | 73045698 | | 73053730 | |
| 5" x 5" x 102" Line Post Pool Code | 73047014 | | 73047017 | | 73053780 | |
| 5" x 5" x 102" Corner Post Pool Code | 73047015 | | 73047018 | | 73053777 | |
| 5" x 5" x 102" End Post Pool Code | 73047016 | | 73047019 | | 73053779 | |
| 5" x 5" Pyramid Post Cap | 73003093 | | 73003769 | | 73054107 | |
| 5" x 5" Internal Post Cap | 73007092 | | 73007093 | | 73024884 | |
| 5" x 5" New England Post Cap | 73045003 | | 73045004 | | 73054108 | |
| 6' x 46" Shadowbox Pool Code Walk Gate (70") | 73047023 | | 73047025 | | 3053793 | |
| 6' x 58" Shadowbox Pool Code Drive Gate (70") | 73047024 | | 73047026 | | 73053792 | |



| FENCE PANEL COMPONENTS | |
|-----------------------------------|-----|
| DESCRIPTION | QTY |
| 2" x 6" x 70" Rails | 2 |
| 2" x 3 1/2" x 70" Rail | 1 |
| .55" x 6" x 61 3/4" (.055) Boards | 12 |

| HARDWARE | Black |
|--|----------|
| | SKU |
| Heavy-Duty Contemporary Wrap Hinge | 73014300 |
| Gate Handle | 73014320 |
| Gate Stop | 73014321 |
| 24" Heavy-Duty Drop Rod | 73014305 |
| Locking Gravity Latch 2-Sided Key Access | 73050187 |
| 5" x 5" x 100" Gate Post Insert | 73040719 |

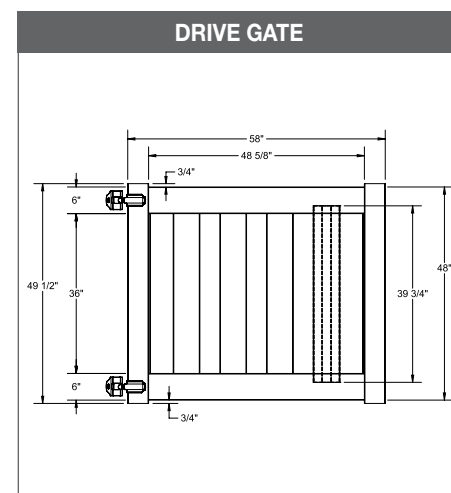
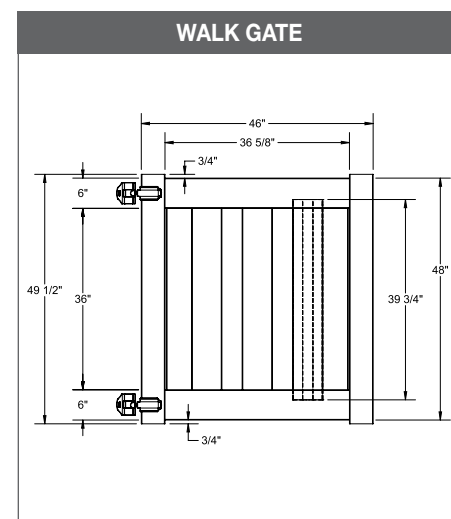
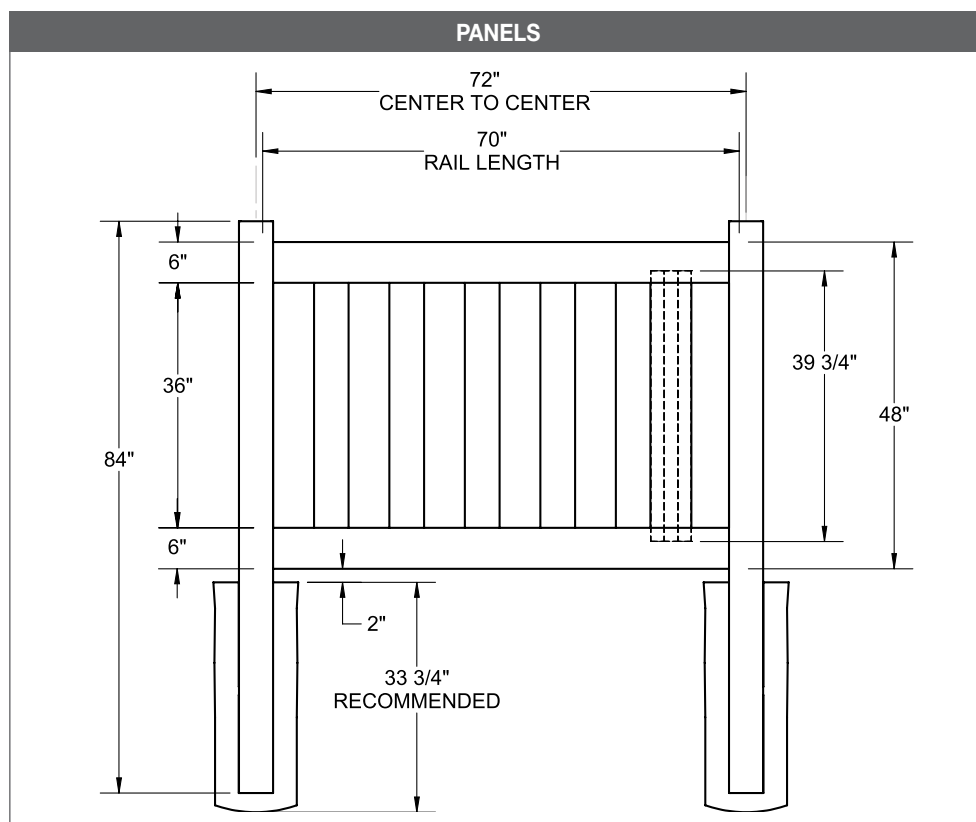


Rail Profile



4' H x 6' W • SHADOWBOX (48" HIGH)

| DESCRIPTION | White | | Sand | |
|-------------------------------|----------|-----|----------|-----|
| | MFG# | QTY | MFG# | QTY |
| 4' x 6' Shadowbox Panel (48") | 73045725 | | 73045729 | |
| 5" x 5" x 84" Line Post | 73011466 | | 73011472 | |
| 5" x 5" x 84" Corner Post | 73011467 | | 73011473 | |
| 5" x 5" x 84" End Post | 73011468 | | 73011474 | |
| 5" x 5" Pyramid Post Cap | 73003093 | | 73003769 | |
| 5" x 5" Internal Post Cap | 73007092 | | 73007093 | |
| 5" x 5" New England Post Cap | 73045003 | | 73045004 | |
| 4' x 46" Shadowbox Walk Gate | 73045727 | | 73045731 | |
| 4' x 58" Shadowbox Drive Gate | 73045728 | | 73045732 | |



| FENCE PANEL COMPONENTS | |
|-----------------------------------|-----|
| DESCRIPTION | QTY |
| 2" x 6" x 70" Rails | 2 |
| .55" x 6" x 39 3/4" (.055) Boards | 12 |

| HARDWARE | Black |
|--|----------|
| | SKU |
| Heavy-Duty Contemporary Wrap Hinge | 73014300 |
| Gate Handle | 73014320 |
| Gate Stop | 73014321 |
| 24" Heavy-Duty Drop Rod | 73014305 |
| Locking Gravity Latch 2-Sided Key Access | 73050187 |
| 5" x 5" x 82" Gate Post Insert | 73003718 |



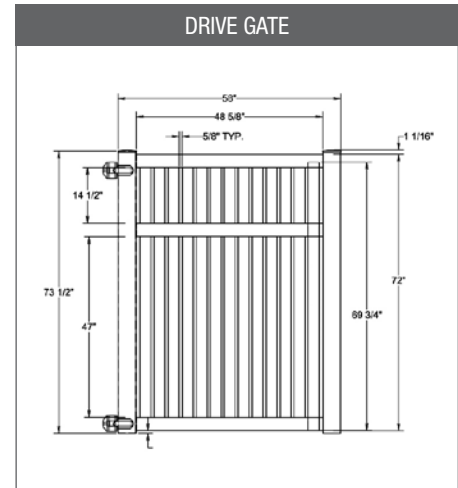
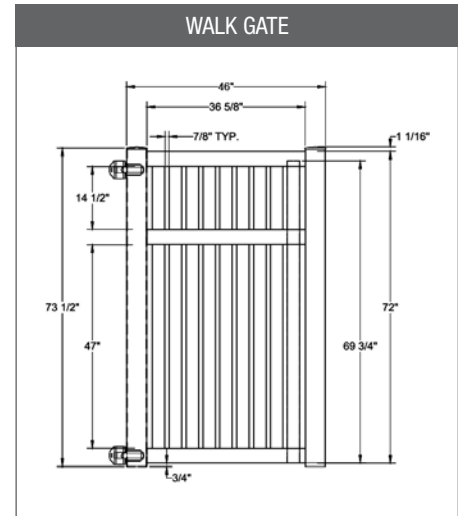
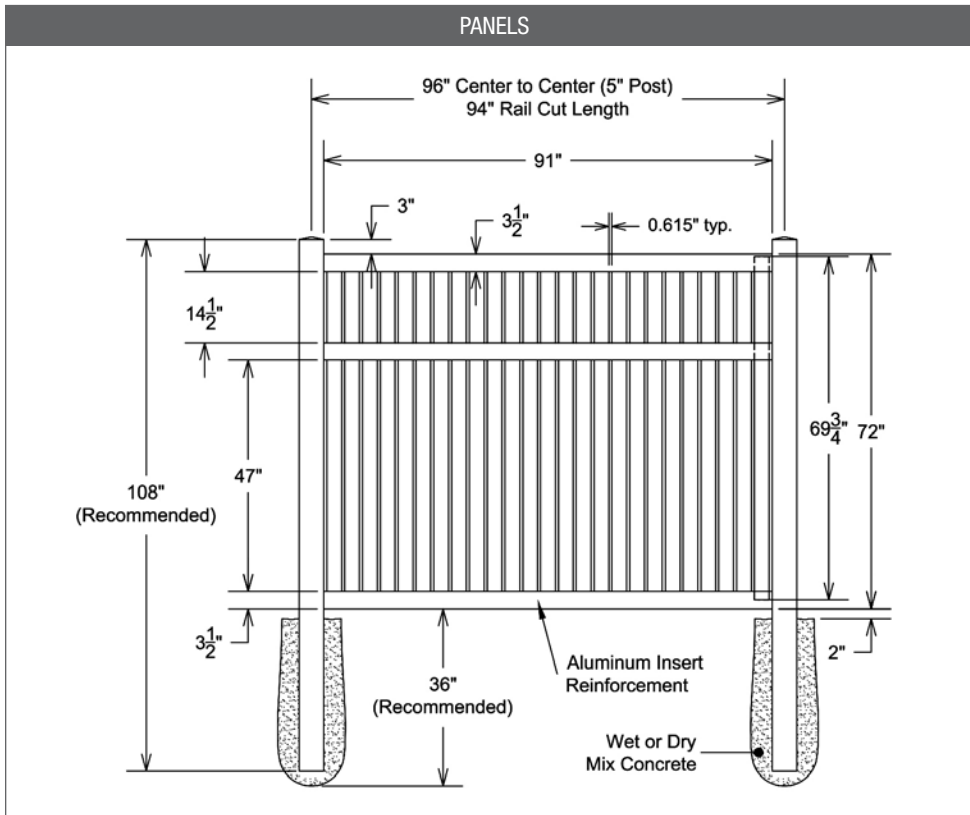
Rail Profile



SEMI-PRIVACY

6' H x 8' W • 3" SEMI-PRIVACY (72" HIGH)

| DESCRIPTION | White | | Sand | |
|--|----------|-----|----------|-----|
| | MFG# | QTY | MFG# | QTY |
| 6' x 8' 3" Semi-Privacy Panel (72") | 73011597 | | 73011600 | |
| 5" x 5" x 108" Line Post | 73011682 | | 73011688 | |
| 5" x 5" x 108" Corner Post | 73011683 | | 73011689 | |
| 5" x 5" x 108" End Post | 73011684 | | 73011690 | |
| 5" x 5" Pyramid Post Cap | 73003093 | | 73003769 | |
| 5" x 5" Internal Post Cap | 73007092 | | 73007093 | |
| 5" x 5" New England Post Cap | 73045003 | | 73045004 | |
| 6' x 46" Semi-Privacy Walk Gate (72") | 73024181 | | 73024183 | |
| 6' x 58" Semi-Privacy Drive Gate (72") | 73024182 | | 73024184 | |



| FENCE PANEL COMPONENTS | |
|-------------------------------------|-----|
| DESCRIPTION | QTY |
| 2" x 3½" x 94" Rails | 3 |
| 7/8" x 3" x 69¾" Pickets | 25 |
| 1.77" x 1.85" x 93" Aluminum Insert | 1 |

| HARDWARE | Black |
|--|----------|
| | SKU |
| Heavy-Duty Contemporary Wrap Hinge | 73014300 |
| Gate Handle | 73014320 |
| Gate Stop | 73014321 |
| 24" Heavy-Duty Drop Rod | 73014305 |
| Locking Gravity Latch 2-Sided Key Access | 73050187 |
| 5" x 5" x 106" Gate Post Insert | 73003463 |

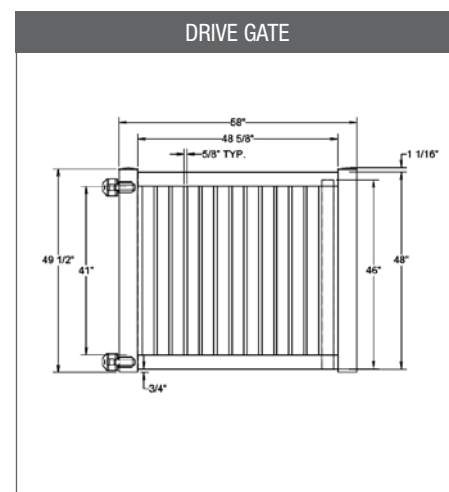
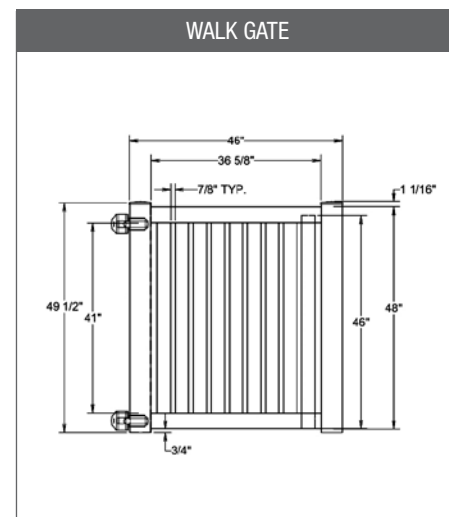
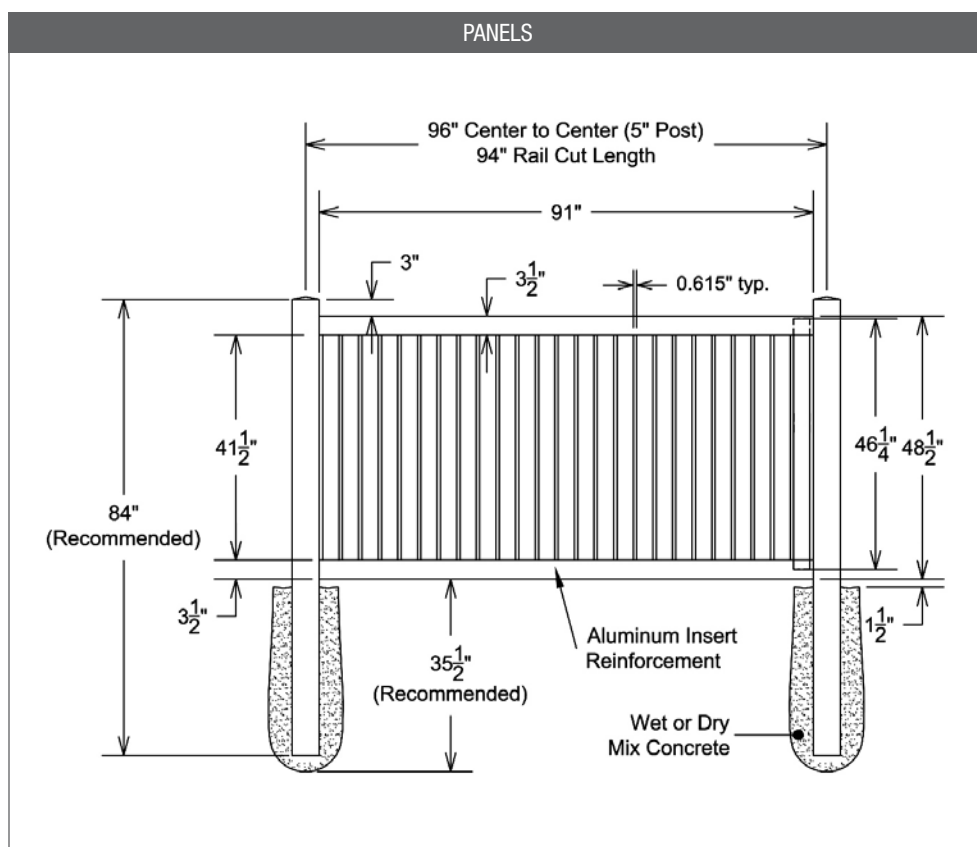


Rail Profile



4' H x 8' W • 3" SEMI-PRIVACY

| DESCRIPTION | White | | Sand | |
|----------------------------------|----------|-----|----------|-----|
| | MFG# | QTY | MFG# | QTY |
| 4' x 8' 3" Semi-Privacy Panel | 73011621 | | 73011624 | |
| 5" x 5" x 84" Line Post | 73012186 | | 73012192 | |
| 5" x 5" x 84" Corner Post | 73012187 | | 73012193 | |
| 5" x 5" x 84" End Post | 73012188 | | 73012194 | |
| 5" x 5" Pyramid Post Cap | 73003093 | | 73003769 | |
| 5" x 5" Internal Post Cap | 73007092 | | 73007093 | |
| 5" x 5" New England Post Cap | 73045003 | | 73045004 | |
| 4' x 46" Semi-Privacy Walk Gate | 73024193 | | 73024195 | |
| 4' x 58" Semi-Privacy Drive Gate | 73024194 | | 73024196 | |



| FENCE PANEL COMPONENTS | |
|-------------------------------------|-----|
| DESCRIPTION | QTY |
| 2" x 3 1/2" x 94" Rails | 3 |
| 7/8" x 3" x 69 3/4" Pickets | 25 |
| 1.77" x 1.85" x 93" Aluminum Insert | 1 |

| HARDWARE | Black |
|--|----------|
| | SKU |
| Heavy-Duty Contemporary Wrap Hinge | 73014300 |
| Gate Handle | 73014320 |
| Gate Stop | 73014321 |
| 24" Heavy-Duty Drop Rod | 73014305 |
| Locking Gravity Latch 2-Sided Key Access | 73050187 |
| 5"x5"x82" Gate Post Insert | 73003718 |



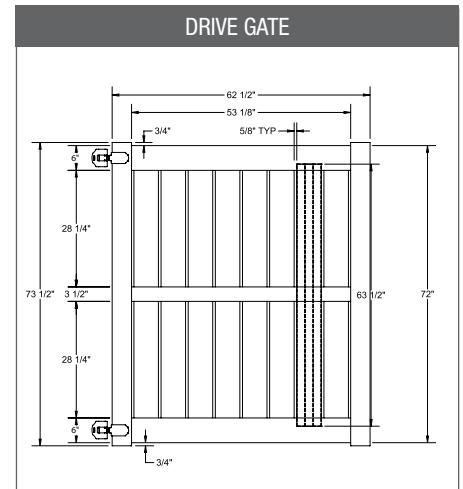
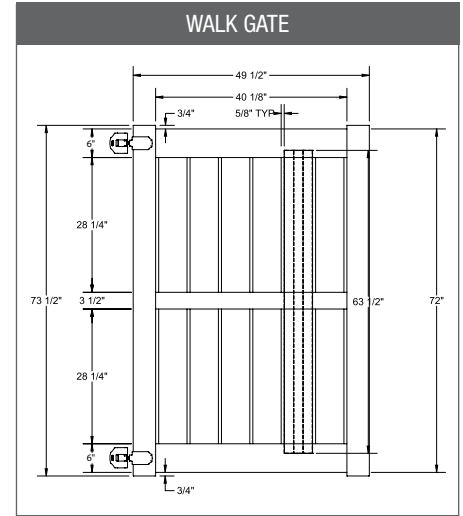
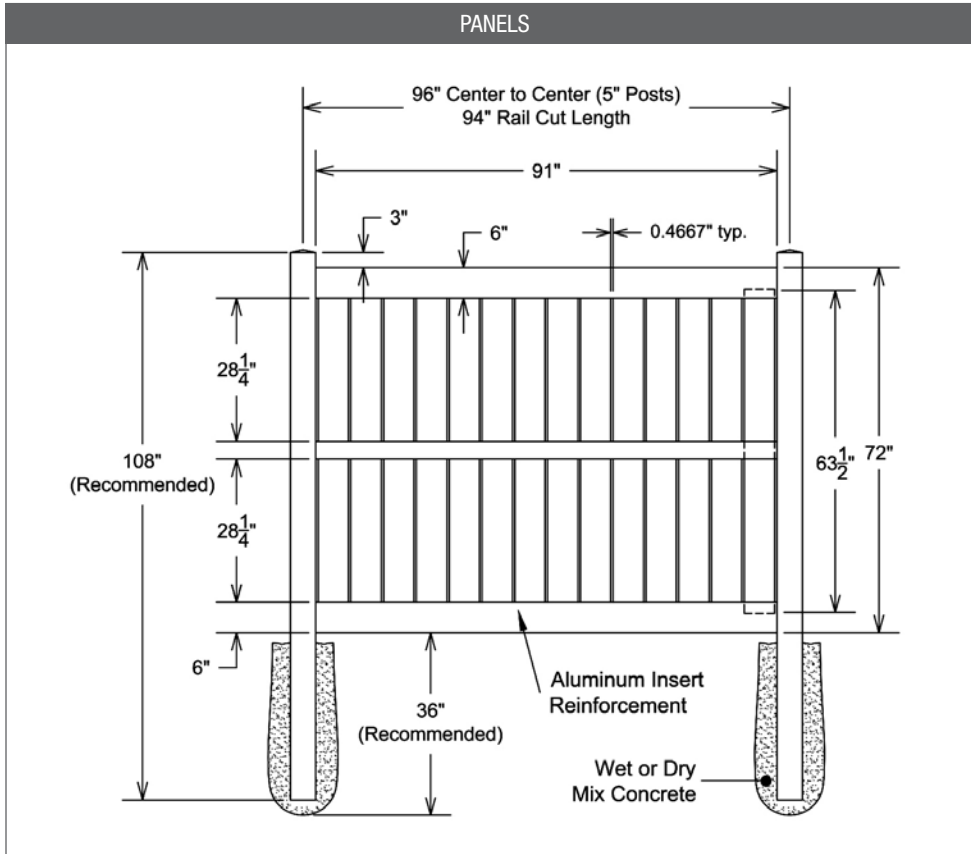
Rail Profile



SEMI-PRIVACY

6' H x 8' W • 6" SEMI-PRIVACY (72" HIGH)

| DESCRIPTION | White | | Sand | | Clay | | Gray | |
|---|----------|-----|----------|-----|----------|-----|----------|-----|
| | MFG# | QTY | MFG# | QTY | MFG# | QTY | MFG# | QTY |
| 6' x 8' 6" Semi-Privacy Panel (72") | 73011561 | | 73011564 | | 73053731 | | 73054932 | |
| 5" x 5" x 108" Line Post | 73011418 | | 73011424 | | 73053726 | | 73054934 | |
| 5" x 5" x 108" Corner Post | 73011419 | | 73011425 | | 73053727 | | 73054935 | |
| 5" x 5" x 108" End Post | 73011420 | | 73011426 | | 73053728 | | 73054936 | |
| 5" x 5" Pyramid Post Cap | 73003093 | | 73003769 | | 73054107 | | 73053068 | |
| 5" x 5" Internal Post Cap | 73007092 | | 73007093 | | 73024884 | | N/A | |
| 5" x 5" New England Post Cap | 73045003 | | 73045004 | | 73054108 | | 73053093 | |
| 6' x 49½" Semi-Privacy Walk Gate (72") | 73024162 | | 73024164 | | 73054206 | | 73054937 | |
| 6' x 62½" Semi-Privacy Drive Gate (72") | 73024163 | | 73024165 | | 73054247 | | 73054938 | |



| FENCE PANEL COMPONENTS | |
|-------------------------------------|-----|
| DESCRIPTION | QTY |
| 2" x 3½" x 94" Rail | 1 |
| 2" x 6" x 94" Rail | 2 |
| ¾" x 6" x 63½" Pickets | 14 |
| 1.77" x 1.85" x 93" Aluminum Insert | 1 |

| HARDWARE | Black |
|--|----------|
| | SKU |
| Heavy-Duty Contemporary Wrap Hinge | 73014300 |
| Gate Handle | 73014320 |
| Gate Stop | 73014321 |
| 24" Heavy-Duty Drop Rod | 73014305 |
| Locking Gravity Latch 2-Sided Key Access | 73050187 |
| 5" x 5" x 106" Gate Post Insert | 73003463 |

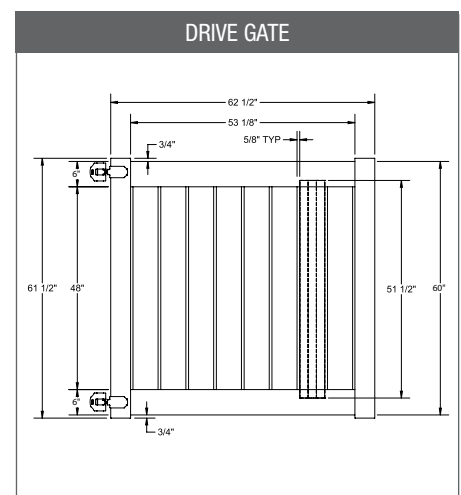
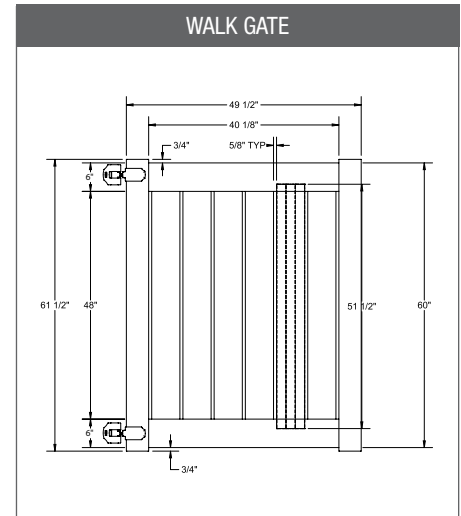
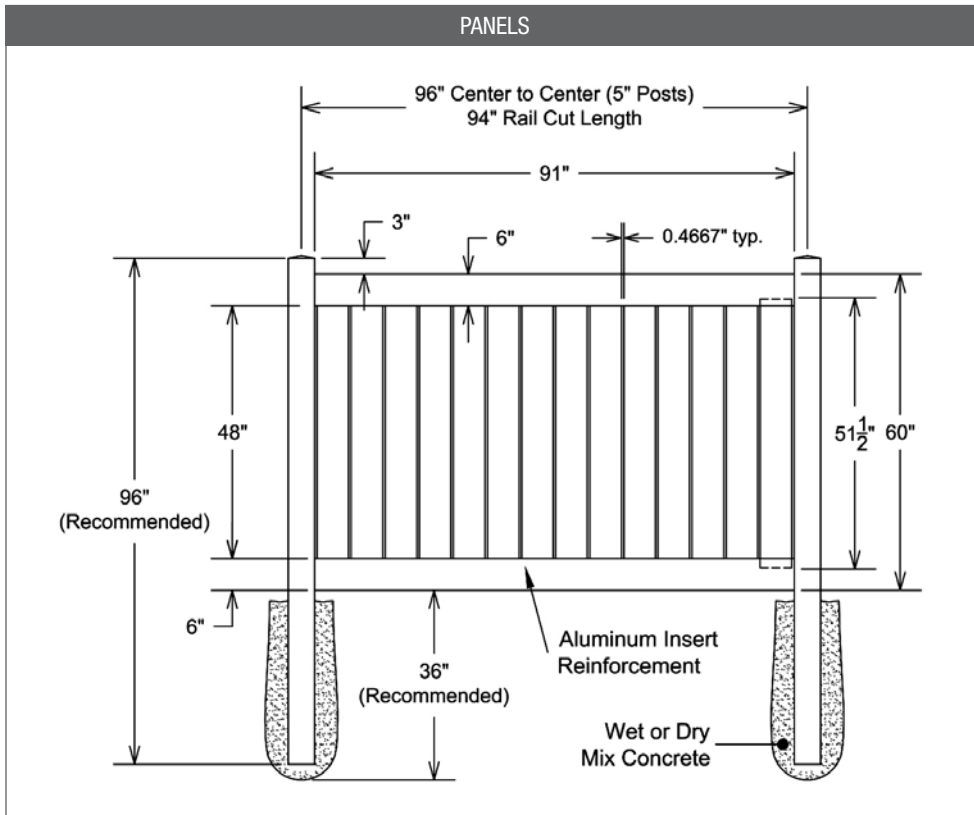


Rail Profile



5' H x 8' W • 6" SEMI-PRIVACY

| DESCRIPTION | White | | Sand | |
|-----------------------------------|----------|-----|----------|-----|
| | MFG# | QTY | MFG# | QTY |
| 5' x 8' 6" Semi-Privacy Panel | 73011573 | | 73011576 | |
| 5" x 5" x 96" Line Post | 73011442 | | 73011448 | |
| 5" x 5" x 96" Corner Post | 73011443 | | 73011449 | |
| 5" x 5" x 96" End Post | 73011444 | | 73011450 | |
| 5" x 5" Pyramid Post Cap | 73003093 | | 73003769 | |
| 5" x 5" Internal Post Cap | 73007092 | | 73007093 | |
| 5" x 5" New England Post Cap | 73045003 | | 73045004 | |
| 5' x 49½" Semi-Privacy Walk Gate | 73024168 | | 73024170 | |
| 5' x 62½" Semi-Privacy Drive Gate | 73024169 | | 73024171 | |



| FENCE PANEL COMPONENTS | |
|-------------------------------------|-----|
| DESCRIPTION | QTY |
| 2" x 6" x 94" Rails | 2 |
| 3/4" x 6" x 51 1/2" Pickets | 14 |
| 1.77" x 1.85" x 93" Aluminum Insert | 1 |

| HARDWARE | Black |
|--|----------|
| | SKU |
| Heavy-Duty Contemporary Wrap Hinge | 73014300 |
| Gate Handle | 73014320 |
| Gate Stop | 73014321 |
| 24" Heavy-Duty Drop Rod | 73014305 |
| Locking Gravity Latch 2-Sided Key Access | 73050187 |
| 5" x 5" x 94" Gate Post Insert | 73012353 |

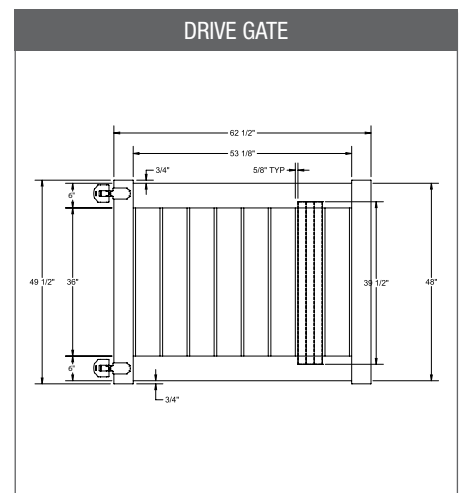
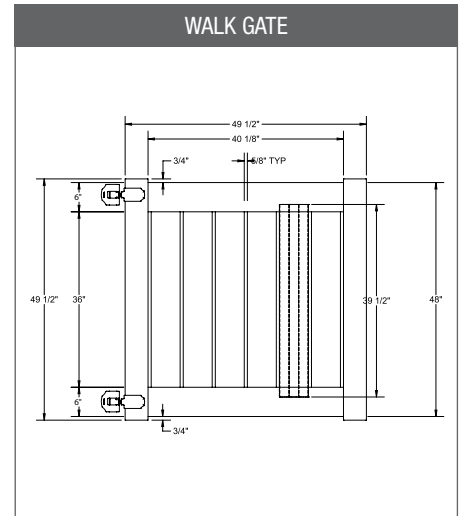
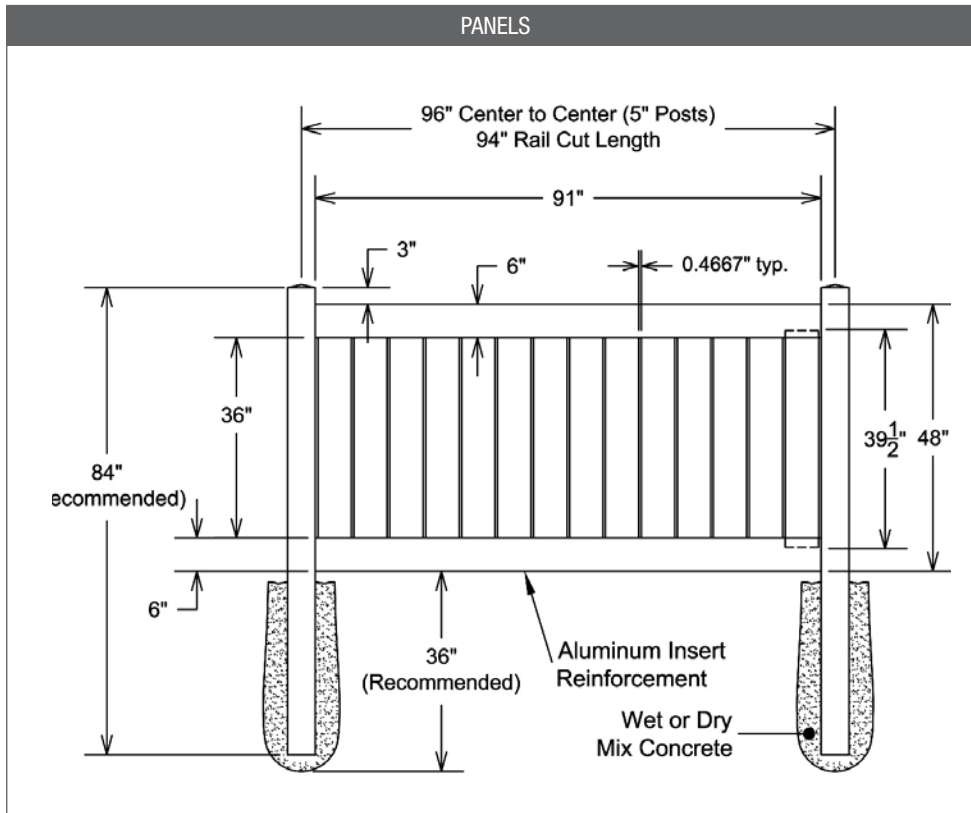


Rail Profile



4' H x 8' W • 6" SEMI-PRIVACY

| DESCRIPTION | White | | Sand | |
|-----------------------------------|----------|-----|----------|-----|
| | MFG# | QTY | MFG# | QTY |
| 4' x 8' 6" Semi-Privacy Panel | 73011585 | | 73011588 | |
| 5" x 5" x 84" Line Post | 73011466 | | 73011472 | |
| 5" x 5" x 84" Corner Post | 73011467 | | 73011473 | |
| 5" x 5" x 84" End Post | 73011468 | | 73011474 | |
| 5" x 5" Pyramid Post Cap | 73003093 | | 73003769 | |
| 5" x 5" Internal Post Cap | 73007092 | | 73007093 | |
| 5" x 5" New England Post Cap | 73045003 | | 73045004 | |
| 4' x 49½" Semi-Privacy Walk Gate | 73024175 | | 73024177 | |
| 4' x 62½" Semi-Privacy Drive Gate | 73024176 | | 73024178 | |



| FENCE PANEL COMPONENTS | |
|-------------------------------------|-----|
| DESCRIPTION | QTY |
| 2" x 6" x 94" Rail | 2 |
| ¾" x 6" x 39½" Pickets | 14 |
| 1.77" x 1.85" x 93" Aluminum Insert | 1 |

| HARDWARE | Black |
|--|----------|
| | SKU |
| Heavy-Duty Contemporary Wrap Hinge | 73014300 |
| Gate Handle | 73014320 |
| Gate Stop | 73014321 |
| 24" Heavy-Duty Drop Rod | 73014305 |
| Locking Gravity Latch 2-Sided Key Access | 73050187 |
| 5" x 5" x 82" Gate Post Insert | 73003718 |

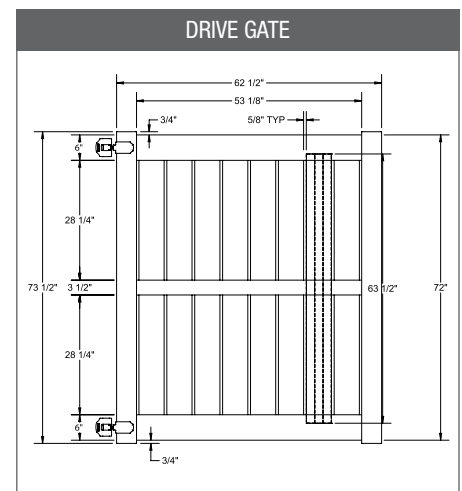
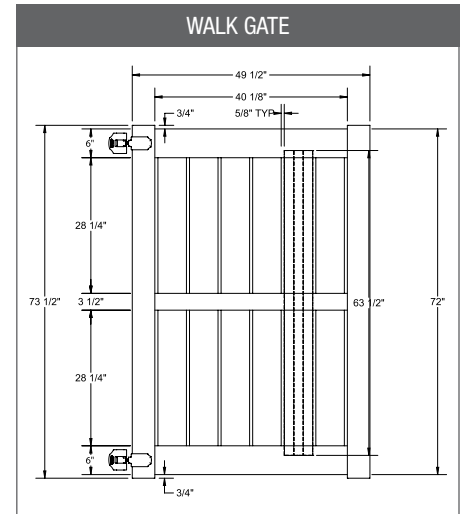
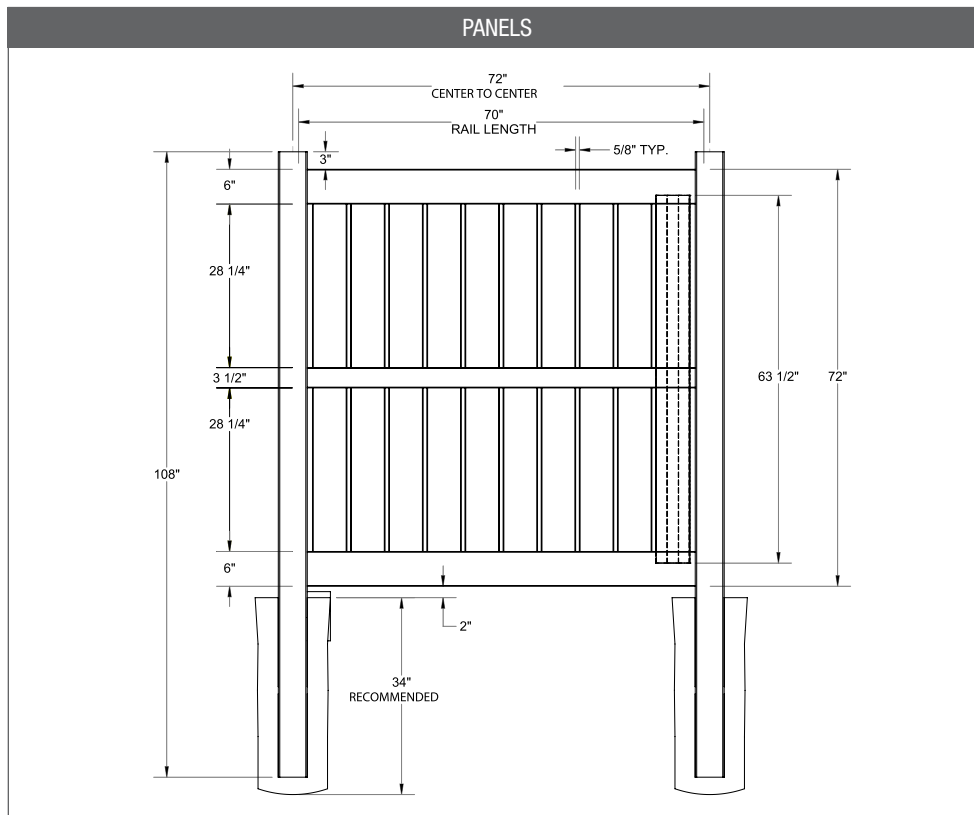


Rail Profile



6' H x 6' W • 6" SEMI-PRIVACY

| DESCRIPTION | White | | Sand | | Clay | | Gray | |
|-----------------------------------|----------|-----|----------|-----|----------|-----|----------|-----|
| | MFG# | QTY | MFG# | QTY | MFG# | QTY | MFG# | QTY |
| 6' x 6' x 6" Semi-Privacy Panel | 73054583 | | 73054930 | | 73054931 | | 73054932 | |
| 5" x 5" x 108" Line Post | 73011418 | | 73011424 | | 73053726 | | 73054934 | |
| 5" x 5" x 108" Corner Post | 73011419 | | 73011425 | | 73053727 | | 73054935 | |
| 5" x 5" x 108" End Post | 73011420 | | 73011426 | | 73053728 | | 73054936 | |
| 5" x 5" Pyramid Post Cap | 73003093 | | 73003769 | | 73054107 | | 73053068 | |
| 5" x 5" Internal Post Cap | 73007092 | | 73007093 | | 73024884 | | N/A | |
| 5" x 5" New England Post Cap | 73045003 | | 73045004 | | 73054108 | | 73053093 | |
| 6' x 49½" Semi-Privacy Walk Gate | 73024162 | | 73024164 | | 73054206 | | 73054937 | |
| 6' x 62½" Semi-Privacy Drive Gate | 73024163 | | 73024165 | | 73054247 | | 73054938 | |



| FENCE PANEL COMPONENTS | |
|------------------------|-----|
| DESCRIPTION | QTY |
| 2" x 6" x 70" Rails | 2 |
| ¾" x 6" x 63½" Pickets | 10 |
| 2" x 3½" x 70" Rail | 1 |

| HARDWARE | Black |
|--|----------|
| | SKU |
| Heavy-Duty Contemporary Wrap Hinge | 73014300 |
| Gate Handle | 73014320 |
| Gate Stop | 73014321 |
| 24" Heavy-Duty Drop Rod | 73014305 |
| Locking Gravity Latch 2-Sided Key Access | 73050187 |
| 5" x 5" x 94" Gate Post Insert | 73012353 |



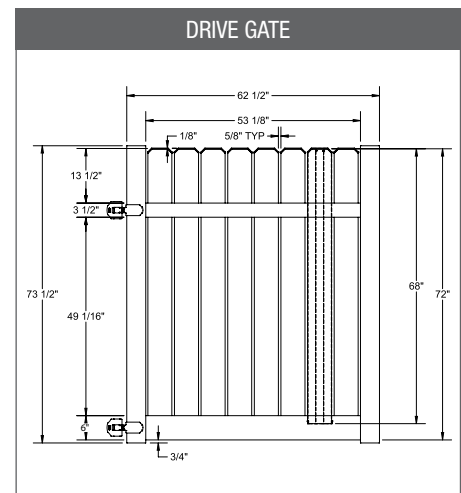
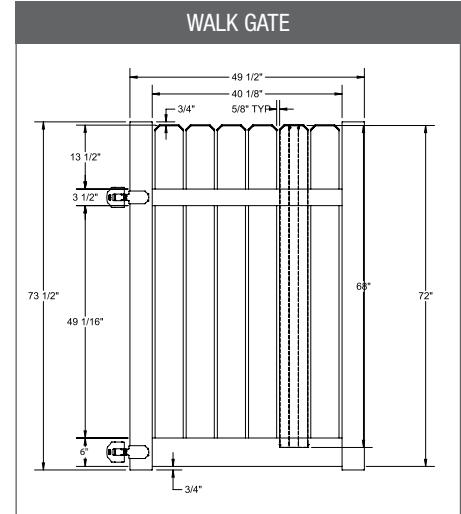
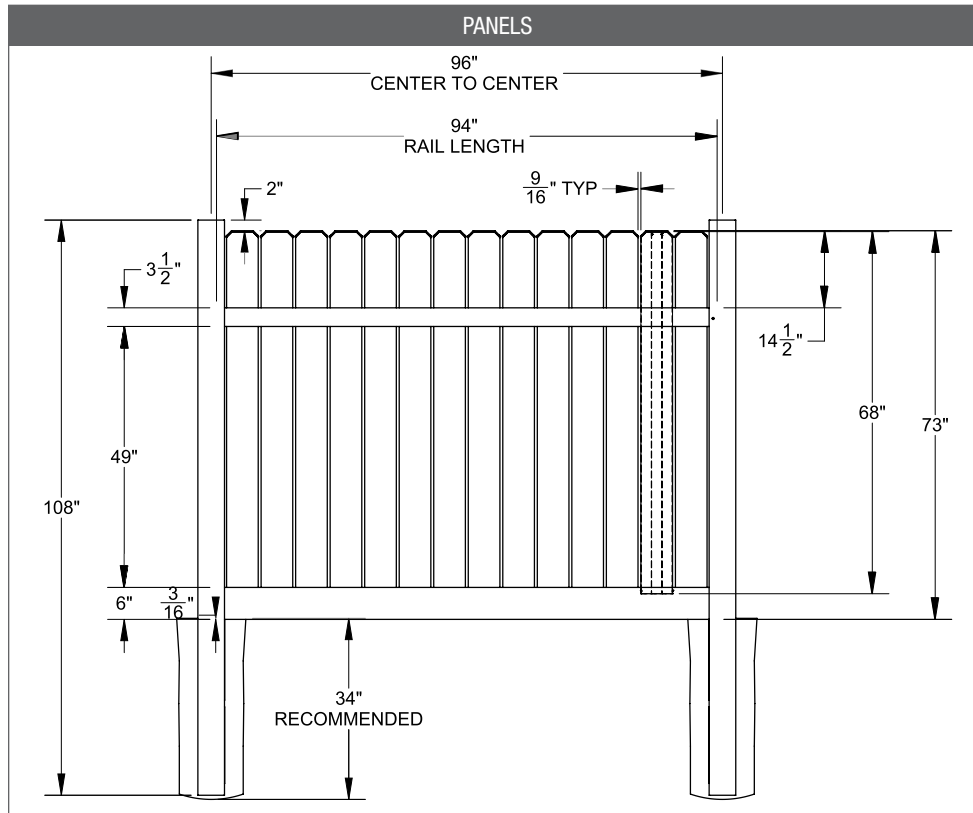
Rail Profile



SEMI-PRIVACY

6' H x 8' W • 6" DOG-EAR (72" HIGH)

| DESCRIPTION | White | | Sand | |
|--------------------------------------|----------|-----|----------|-----|
| | MFG# | QTY | MFG# | QTY |
| 6' x 8' 6" Dog-Ear Panel (72") | 73048536 | | 73048549 | |
| 5" x 5" x 108" Line Post | 73011310 | | 73011316 | |
| 5" x 5" x 108" Corner Post | 73011311 | | 73011317 | |
| 5" x 5" x 108" End Post | 73011312 | | 73011318 | |
| 5" x 5" Pyramid Post Cap | 73003093 | | 73003769 | |
| 5" x 5" Internal Post Cap | 73007092 | | 73007093 | |
| 5" x 5" New England Post Cap | 73045003 | | 73045004 | |
| 6' x 49½" 6" Dog-Ear Walk Gate | 73048573 | | 73048577 | |
| 6' x 62½" 6" Dog-Ear Walk Drive Gate | 73048574 | | 73048578 | |



| FENCE PANEL COMPONENTS | |
|----------------------------------|-----|
| DESCRIPTION | QTY |
| 2" x 6" x 94" Rail | 2 |
| 2" x 3½" x 94" Aluminum Insert | 1 |
| ¾" x 5.94" x 68" Dog-Ear Pickets | 14 |

| HARDWARE | Black |
|--|----------|
| | SKU |
| Heavy-Duty Contemporary Wrap Hinge | 73014300 |
| Gate Handle | 73014320 |
| Gate Stop | 73014321 |
| 24" Heavy-Duty Drop Rod | 73014305 |
| Locking Gravity Latch 2-Sided Key Access | 73050187 |
| 5" x 5" x 106" Gate Post Insert | 73003463 |

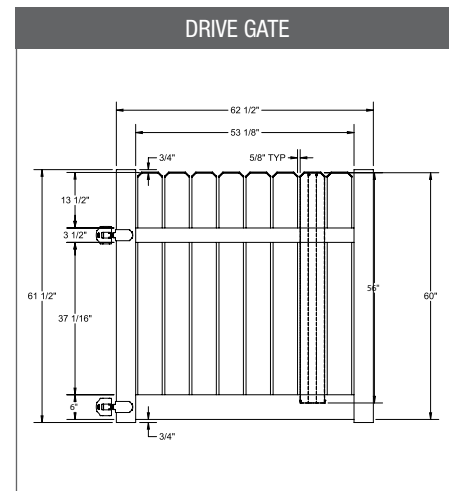
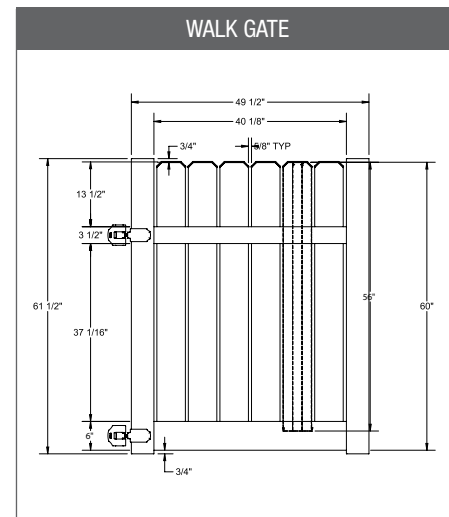
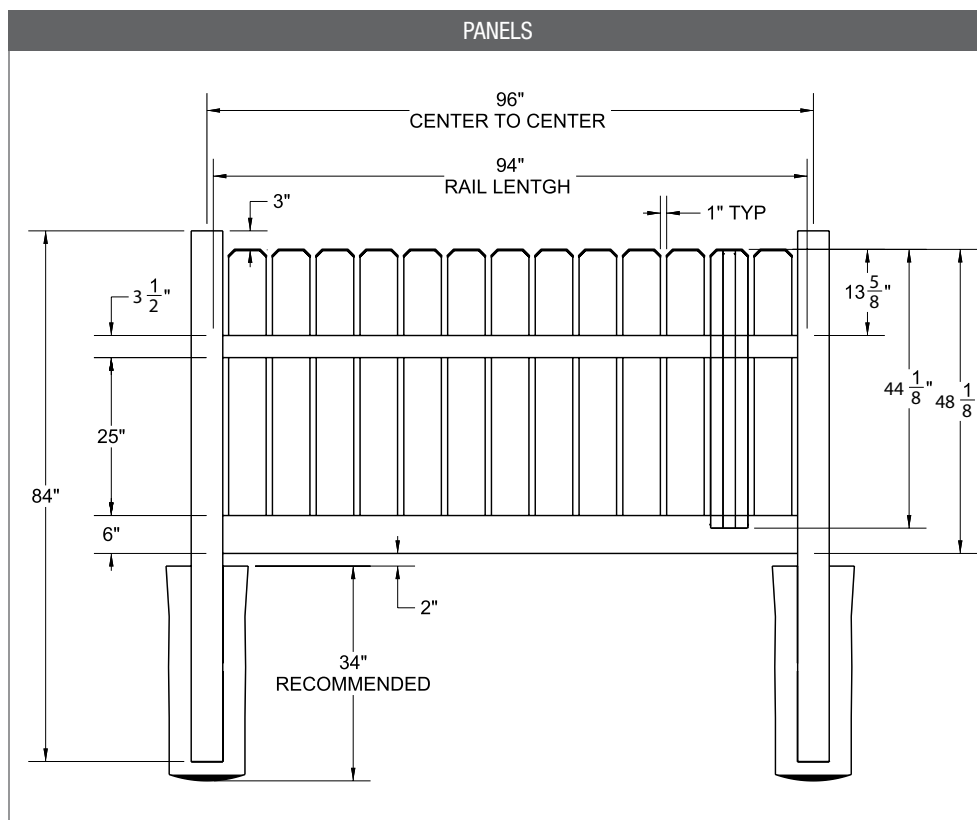


Rail Profile



5' H x 8' W • 6" DOG-EAR

| DESCRIPTION | White | | Sand | |
|--------------------------------------|----------|-----|----------|-----|
| | MFG# | QTY | MFG# | QTY |
| 5' x 8' 6" Dog-Ear Panel | 73048537 | | 73048550 | |
| 5" x 5" x 96" Line Post | 73011334 | | 73011340 | |
| 5" x 5" x 96" Corner Post | 73011335 | | 73011341 | |
| 5" x 5" x 96" End Post | 73011336 | | 73011342 | |
| 5" x 5" Pyramid Post Cap | 73003093 | | 73003769 | |
| 5" x 5" Internal Post Cap | 73007092 | | 73007093 | |
| 5" x 5" New England Post Cap | 73045003 | | 73045004 | |
| 5' x 49½" 6" Dog-Ear Walk Gate | 73048585 | | 73048589 | |
| 5' x 62½" 6" Dog-Ear Walk Drive Gate | 73048586 | | 73048590 | |



| FENCE PANEL COMPONENTS | |
|----------------------------------|-----|
| DESCRIPTION | QTY |
| 2" x 6" x 94" Rail | 1 |
| 2" x 3½" x 94" Rail | 1 |
| ¾" x 5.94" x 56" Dog-Ear Pickets | 13 |
| 2" x 3½" x 94" Aluminum Insert | 1 |

| HARDWARE | Black |
|--|----------|
| | SKU |
| Heavy-Duty Contemporary Wrap Hinge | 73014300 |
| Gate Handle | 73014320 |
| Gate Stop | 73014321 |
| 24" Heavy-Duty Drop Rod | 73014305 |
| Locking Gravity Latch 2-Sided Key Access | 73050187 |
| 5" x 5" x 94" Gate Post Insert | 73012353 |

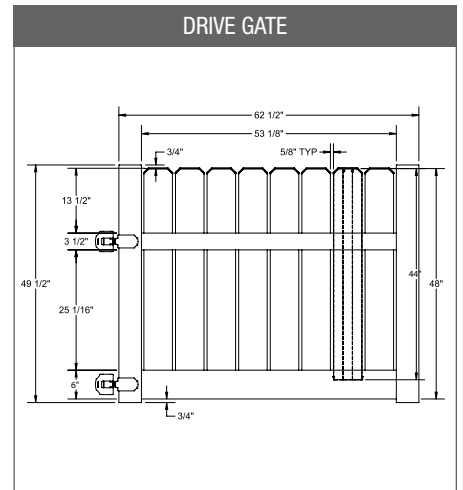
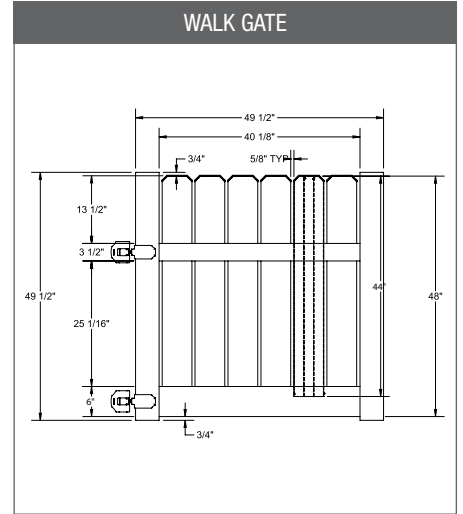
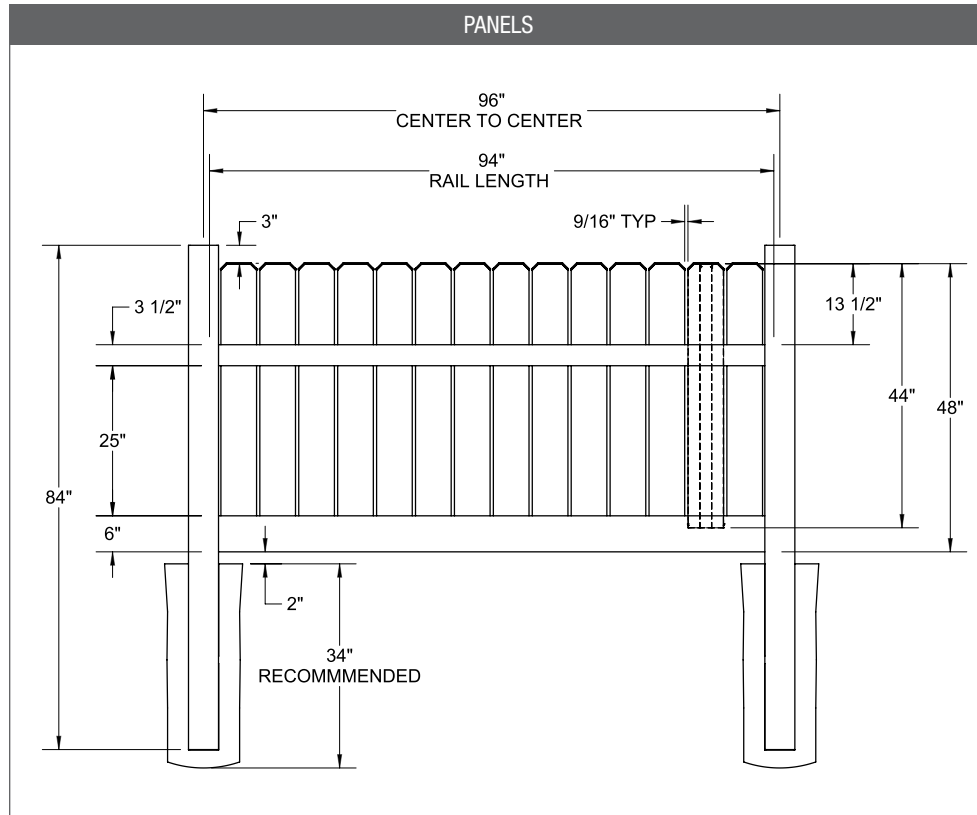


Rail Profile



4' H x 8' W • 6" DOG-EAR

| DESCRIPTION | White | | Sand | | Clay | | Gray | |
|--------------------------------------|----------|-----|----------|-----|----------|-----|----------|-----|
| | MFG# | QTY | MFG# | QTY | MFG# | QTY | MFG# | QTY |
| 4' x 8' 6" Dog-Ear Panel | 73048538 | | 73048551 | | 73053986 | | 73054667 | |
| 5" x 5" x 84" Line Post | 73011358 | | 73011364 | | 73053983 | | 73054669 | |
| 5" x 5" x 84" Corner Post | 73011359 | | 73011365 | | 73053984 | | 73054670 | |
| 5" x 5" x 84" End Post | 73011360 | | 73011366 | | 73053985 | | 73054671 | |
| 5" x 5" Pyramid Post Cap | 73003093 | | 73003769 | | 73054107 | | 73053068 | |
| 5" x 5" Internal Post Cap | 73007092 | | 73007093 | | 73024884 | | N/A | |
| 5" x 5" New England Post Cap | 73045003 | | 73045004 | | 73054108 | | 73053093 | |
| 4' x 49½" 6" Dog-Ear Walk Gate | 73048597 | | 73048602 | | 73054296 | | 73054672 | |
| 4' x 62½" 6" Dog-Ear Walk Drive Gate | 73048598 | | 73048603 | | 73054297 | | 73054673 | |



| FENCE PANEL COMPONENTS | |
|-------------------------------------|-----|
| DESCRIPTION | QTY |
| 2" x 6" x 94" Rail | 1 |
| 2" x 3½" x 4" Rail | 1 |
| ¾" x 5.94" x 68" Dog-Ear Pickets | 13 |
| 1.77" x 1.85" x 93" Aluminum Insert | 1 |

| HARDWARE | Black |
|--|----------|
| | SKU |
| Heavy-Duty Contemporary Wrap Hinge | 73014300 |
| Gate Handle | 73014320 |
| Gate Stop | 73014321 |
| 24" Heavy-Duty Drop Rod | 73014305 |
| Locking Gravity Latch 2-Sided Key Access | 73050187 |
| 5" x 5" x 82" Gate Post Insert | 73003718 |

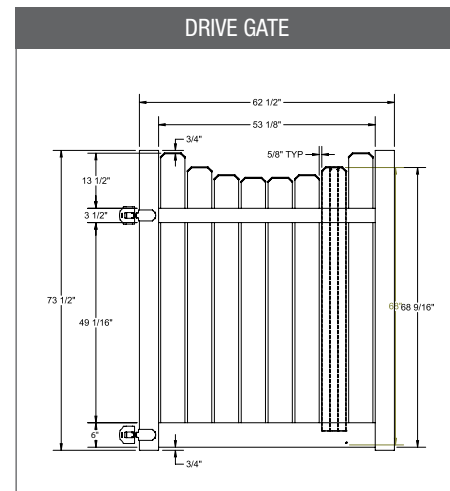
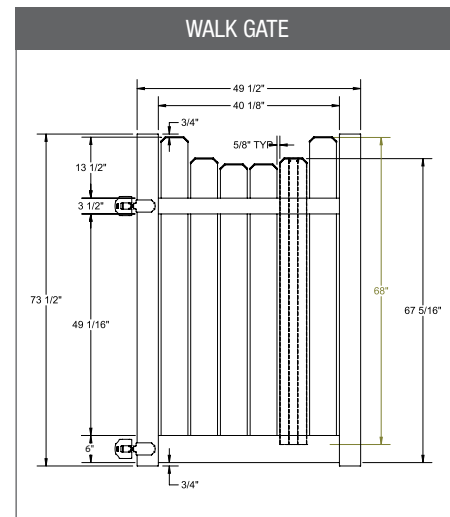
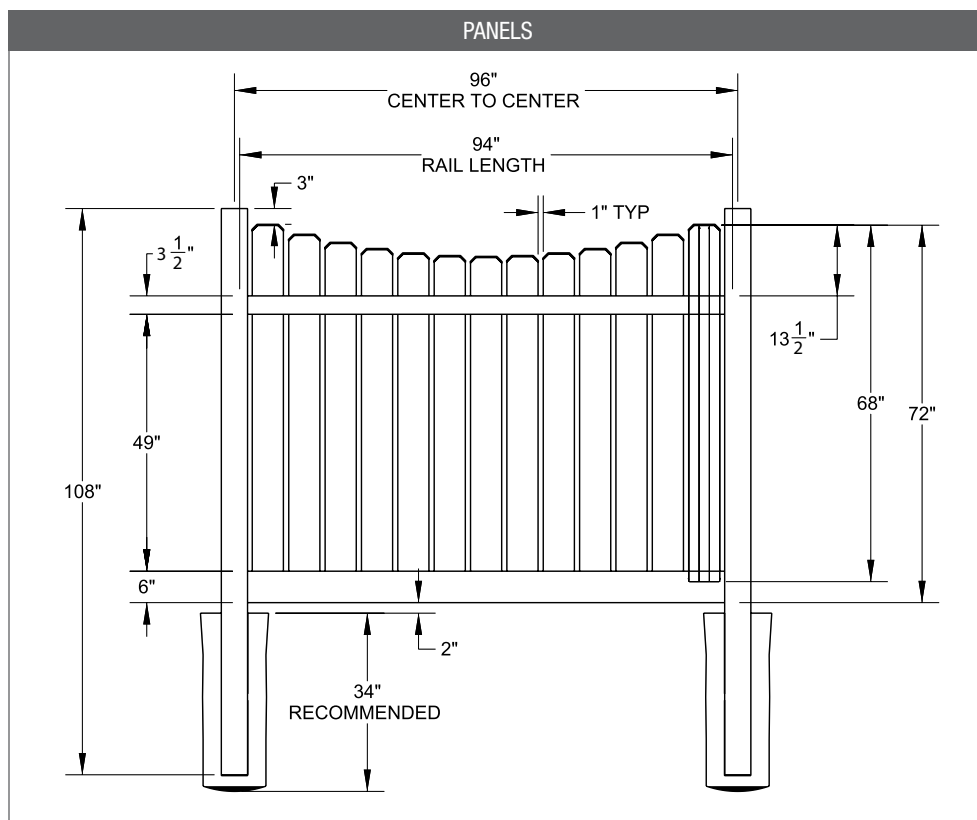


Rail Profile



6' H x 8' W • 6" DOG-EAR SCALLOP (72" HIGH)

| DESCRIPTION | White | | Sand | | Clay | | Gray | |
|--|----------|-----|----------|-----|----------|-----|----------|-----|
| | MFG# | QTY | MFG# | QTY | MFG# | QTY | MFG# | QTY |
| 6' x 8' 6" Dog-Ear Scallop Panel (72") | 73048539 | | 73048552 | | 73040540 | | 73054650 | |
| 5" x 5" x 108" Line Post | 73011310 | | 73011316 | | 73040454 | | 73054651 | |
| 5" x 5" x 108" Corner Post | 73011311 | | 73011317 | | 73040455 | | 73054652 | |
| 5" x 5" x 108" End Post | 73011312 | | 73011318 | | 73040456 | | 73054653 | |
| 5" x 5" Pyramid Post Cap | 73003093 | | 73003769 | | 73054107 | | 73053068 | |
| 5" x 5" Internal Post Cap | 73007092 | | 73007093 | | 73024884 | | N/A | |
| 5" x 5" New England Post Cap | 73045003 | | 73045004 | | 73054108 | | 73053093 | |
| 6' x 49½" 6" Dog-Ear Scallop Walk Gate | 73048575 | | 73048579 | | 73048569 | | 73054656 | |
| 6' x 62½" 6" Dog-Ear Scallop Walk Drive Gate | 73048576 | | 73048580 | | 73048570 | | 73054657 | |



| FENCE PANEL COMPONENTS | |
|-------------------------------------|-----|
| DESCRIPTION | QTY |
| 2" x 6" x 94" Rail | 1 |
| 2" x 3 1/2" x 94" Rail | 1 |
| 3/4" x 5.94" x 68" Dog-Ear Pickets | 13 |
| 1.77" x 1.85" x 93" Aluminum Insert | 1 |
| 68" Scallop Pickets | 2 |
| 66 1/8" Scallop Pickets | 2 |
| 64 5/8" Scallop Pickets | 2 |
| 63 1/2" Scallop Pickets | 2 |
| 62 11/16" Scallop Pickets | 2 |
| 62 9/16" Scallop Pickets | 2 |
| 62" Scallop Pickets | 2 |

| HARDWARE | Black |
|--|----------|
| | SKU |
| Heavy-Duty Contemporary Wrap Hinge | 73014300 |
| Gate Handle | 73014320 |
| Gate Stop | 73014321 |
| 24" Heavy-Duty Drop Rod | 73014305 |
| Locking Gravity Latch 2-Sided Key Access | 73050187 |
| 5" x 5" x 106" Gate Post Insert | 73003463 |

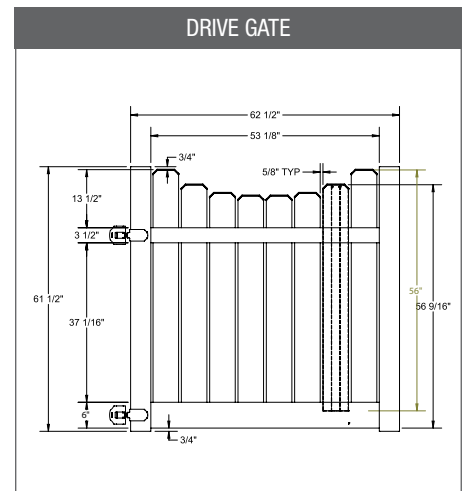
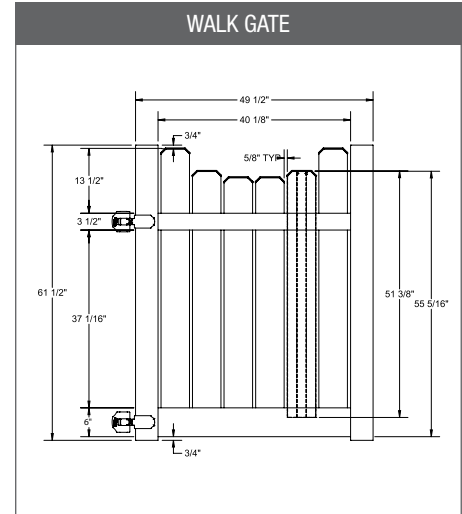
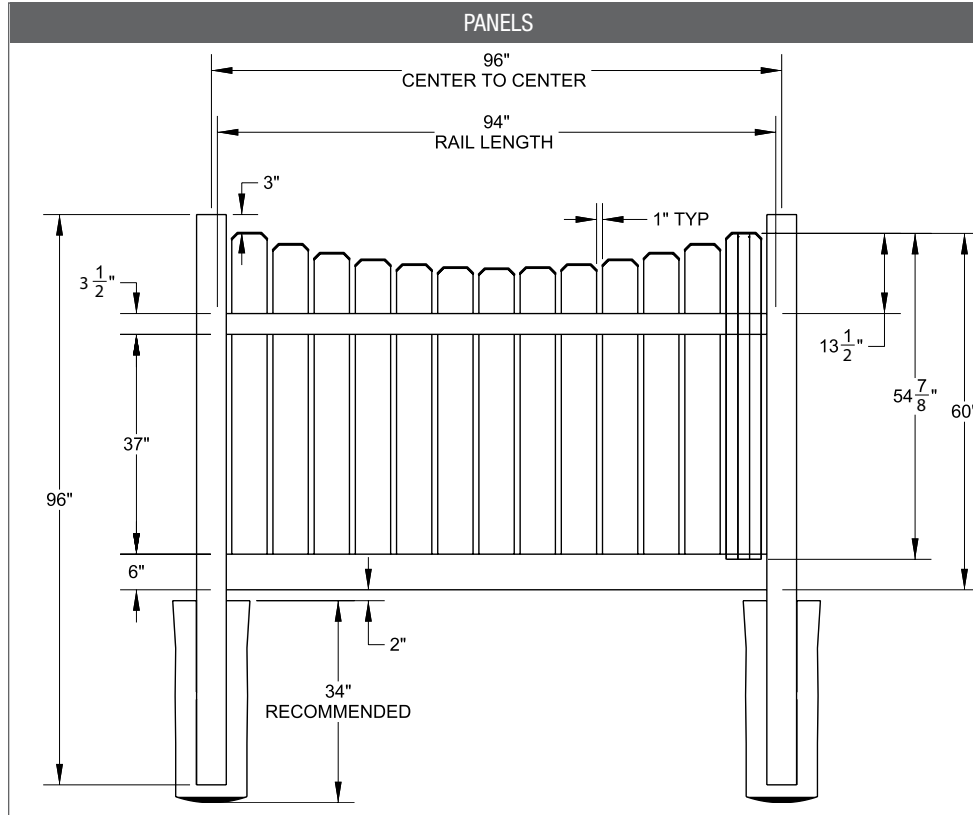


Rail Profile



5' H x 8' W • 6" DOG-EAR SCALLOP

| DESCRIPTION | White | | Sand | |
|--|----------|-----|----------|-----|
| | MFG# | QTY | MFG# | QTY |
| 5' x 8' 6" Dog-Ear Scallop Panel | 73048540 | | 73048553 | |
| 5" x 5" x 96" Line Post | 73011334 | | 73011340 | |
| 5" x 5" x 96" Corner Post | 73011335 | | 73011341 | |
| 5" x 5" x 96" End Post | 73011336 | | 73011342 | |
| 5" x 5" Pyramid Post Cap | 73003093 | | 73003769 | |
| 5" x 5" Internal Post Cap | 73007092 | | 73007093 | |
| 5" x 5" New England Post Cap | 73045003 | | 73045004 | |
| 5' x 49½" 6" Dog-Ear Scallop Walk Gate | 73048587 | | 73048591 | |
| 5' x 62½" 6" Dog-Ear Scallop Walk Drive Gate | 73048588 | | 73048592 | |



| FENCE PANEL COMPONENTS | |
|---------------------------------------|-----|
| DESCRIPTION | QTY |
| 2" x 6" x 94" Rail | 1 |
| 2" x 3 1/2" x 4" Rail | 1 |
| 3/4" x 6" x 56" Dog-Ear Pickets | 2 |
| 3/4" x 6" x 54 1/8" Dog-Ear Pickets | 2 |
| 3/4" x 6" x 52 5/8" Dog-Ear Pickets | 2 |
| 3/4" x 6" x 51 1/2" Dog-Ear Pickets | 2 |
| 3/4" x 6" x 50 11/16" Dog-Ear Pickets | 2 |
| 3/4" x 6" x 50 3/16" Dog-Ear Pickets | 2 |
| 3/4" x 6" x 50" Dog-Ear Pickets | 2 |
| 1.77" x 1.85" x 93" Aluminum Insert | 1 |

| HARDWARE | |
|--|-----------|
| | Black SKU |
| Heavy-Duty Contemporary Wrap Hinge | 73014300 |
| Gate Handle | 73014320 |
| Gate Stop | 73014321 |
| 24" Heavy-Duty Drop Rod | 73014305 |
| Locking Gravity Latch 2-Sided Key Access | 73050187 |
| 5" x 5" x 94" Gate Post Insert | 73012353 |

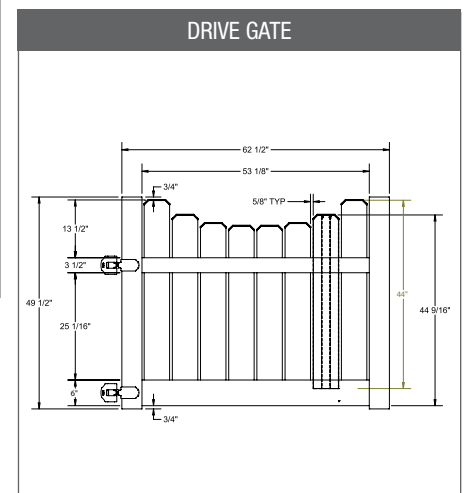
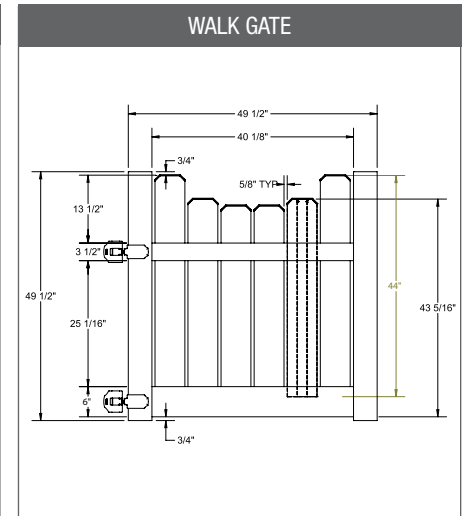
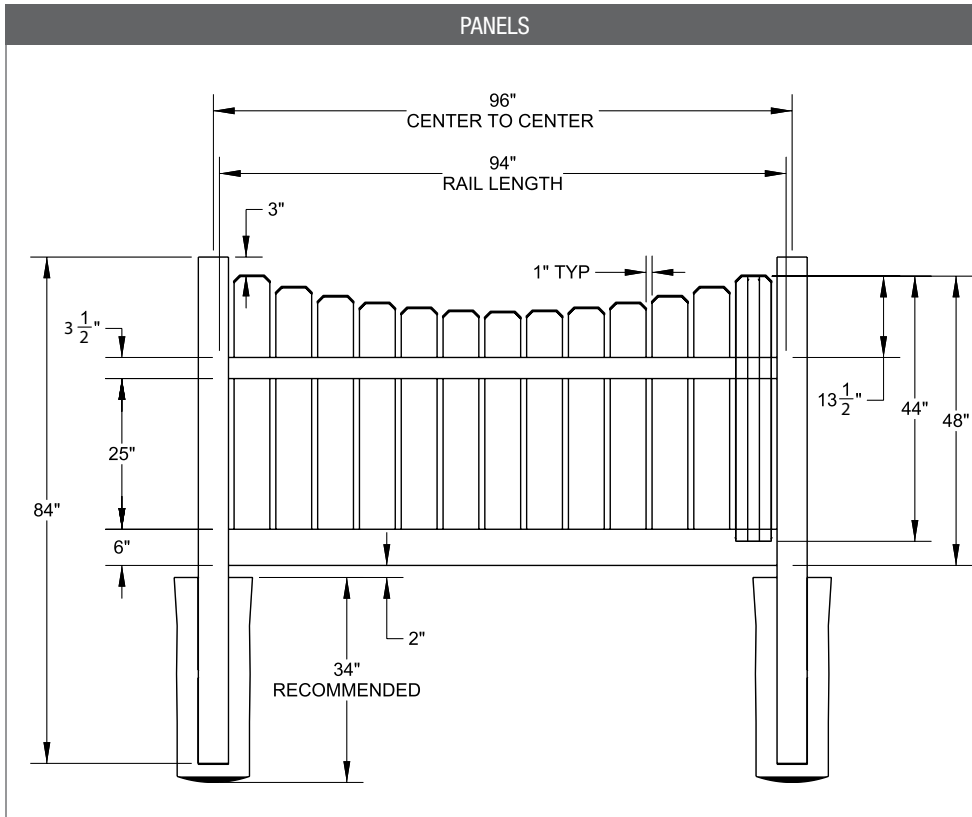


Rail Profile



4' H x 8' W • 6" DOG-EAR SCALLOP

| DESCRIPTION | White | | Sand | |
|--|----------|-----|----------|-----|
| | MFG# | QTY | MFG# | QTY |
| 4' x 8' 6" Dog-Ear Scallop Panel | 73048541 | | 73048554 | |
| 5" x 5" x 84" Line Post | 73011358 | | 73011364 | |
| 5" x 5" x 84" Corner Post | 73011359 | | 73011365 | |
| 5" x 5" x 84" End Post | 73011360 | | 73011366 | |
| 5" x 5" Pyramid Post Cap | 73003093 | | 73003769 | |
| 5" x 5" Internal Post Cap | 73007092 | | 73007093 | |
| 5" x 5" New England Post Cap | 73045003 | | 73045004 | |
| 4' x 49½" 6" Dog-Ear Scallop Walk Gate | 73048599 | | 73048604 | |
| 4' x 62½" 6" Dog-Ear Scallop Walk Drive Gate | 73048600 | | 73048605 | |



| FENCE PANEL COMPONENTS | |
|-------------------------------------|-----|
| DESCRIPTION | QTY |
| 2" x 6" x 94" Rail | 1 |
| 2" x 3½" x 94" Rail | 1 |
| ¾" x 5" x 44" Dog-Ear Pickets | 2 |
| ¾" x 5" x 48⅞" Dog-Ear Pickets | 2 |
| ¾" x 5" x 40⅝" Dog-Ear Pickets | 2 |
| ¾" x 5" x 3½" Dog-Ear Pickets | 2 |
| ¾" x 5" x 38⅞" Dog-Ear Pickets | 2 |
| ¾" x 5" x 38⅞" Dog-Ear Pickets | 2 |
| ¾" x 5" x 38" Dog-Ear Pickets | 2 |
| 1.77" x 1.85" x 93" Aluminum Insert | 1 |

| HARDWARE | Black |
|--|----------|
| | SKU |
| Heavy-Duty Contemporary Wrap Hinge | 73014300 |
| Gate Handle | 73014320 |
| Gate Stop | 73014321 |
| 24" Heavy-Duty Drop Rod | 73014305 |
| Locking Gravity Latch 2-Sided Key Access | 73050187 |
| 5" x 5" x 82" Gate Post Insert | 73003718 |



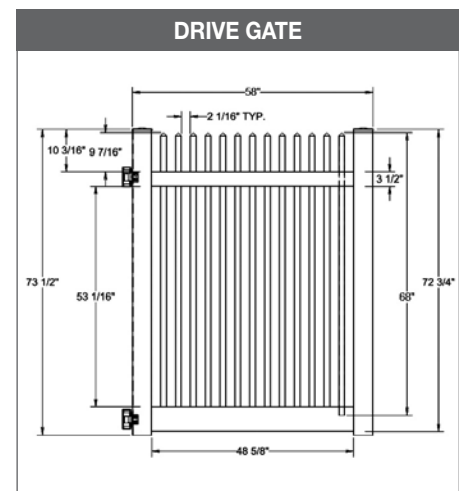
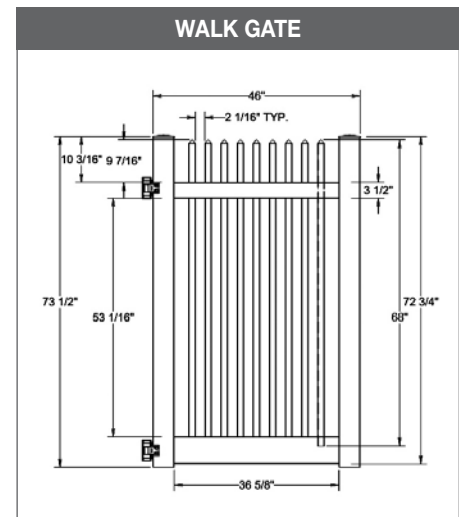
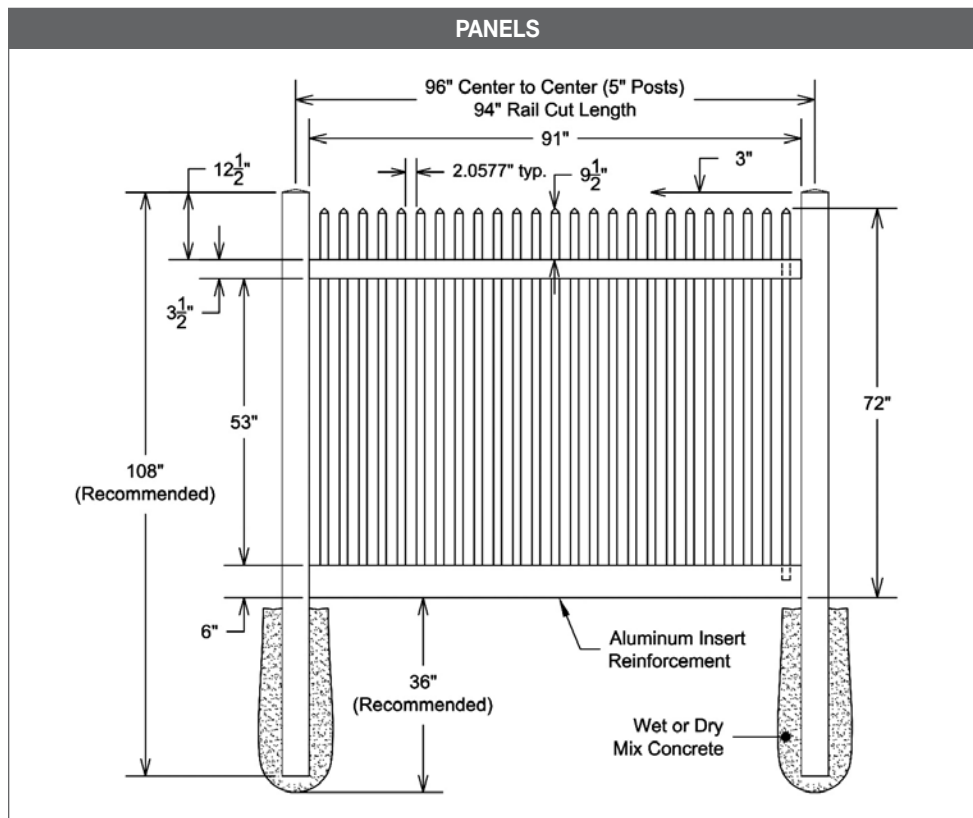
Rail Profile



PICKET — 8 FOOT

6' H x 8' W • CLASSIC STRAIGHT PICKET 2" x 6" BOTTOM RAIL • 1½" SQ. PICKETS

| DESCRIPTION | White | | Sand | | Clay | | Gray | |
|---|----------|-----|----------|-----|----------|-----|----------|-----|
| | MFG# | QTY | MFG# | QTY | MFG# | QTY | MFG# | QTY |
| 6' x 8' Classic Straight Picket Panel (72") | 73011633 | | 73011639 | | 73054061 | | 73054676 | |
| 5" x 5" x 108" Line Post | 73011706 | | 73011712 | | 73053739 | | 73054679 | |
| 5" x 5" x 108" Corner Post | 73011707 | | 73011713 | | 73053740 | | 73054680 | |
| 5" x 5" x 108" End Post | 73011708 | | 73011714 | | 73053741 | | 73054681 | |
| 5" x 5" Pyramid Post Cap | 73003093 | | 73003769 | | 73054107 | | 73053068 | |
| 5" x 5" Internal Post Cap | 73007092 | | 73007093 | | 73024884 | | N/A | |
| 5" x 5" New England Post Cap | 73045003 | | 73045004 | | 73054108 | | 73053093 | |
| 6' x 46" Classic Straight Picket Walk Gate | 73024199 | | 73024201 | | 73054243 | | 73054682 | |
| 6' x 58" Classic Straight Picket Drive Gate | 73024200 | | 73024202 | | 73054244 | | 73054683 | |



| FENCE PANEL COMPONENTS | |
|-------------------------------------|-----|
| DESCRIPTION | QTY |
| 2" x 6" x 94" Rail | 1 |
| 2" x 3½" x 4" Rail | 1 |
| ¾" x 5.94" x 56" Dog-Ear Pickets | 13 |
| 1.77" x 1.85" x 93" Aluminum Insert | 1 |

| HARDWARE | Black |
|--|----------|
| | SKU |
| Heavy-Duty Contemporary Wrap Hinge | 73014300 |
| Gate Handle | 73014320 |
| Gate Stop | 73014321 |
| 24" Heavy-Duty Drop Rod | 73014305 |
| Locking Gravity Latch 2-Sided Key Access | 73050187 |
| 5" x 5" x 106" Gate Post Insert | 73003463 |

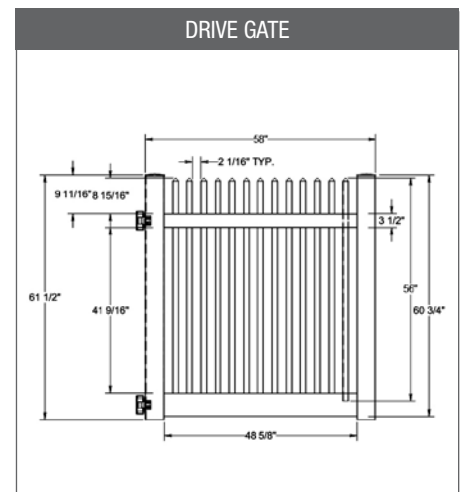
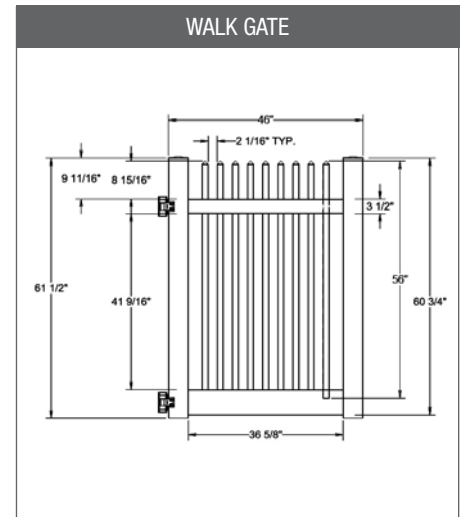
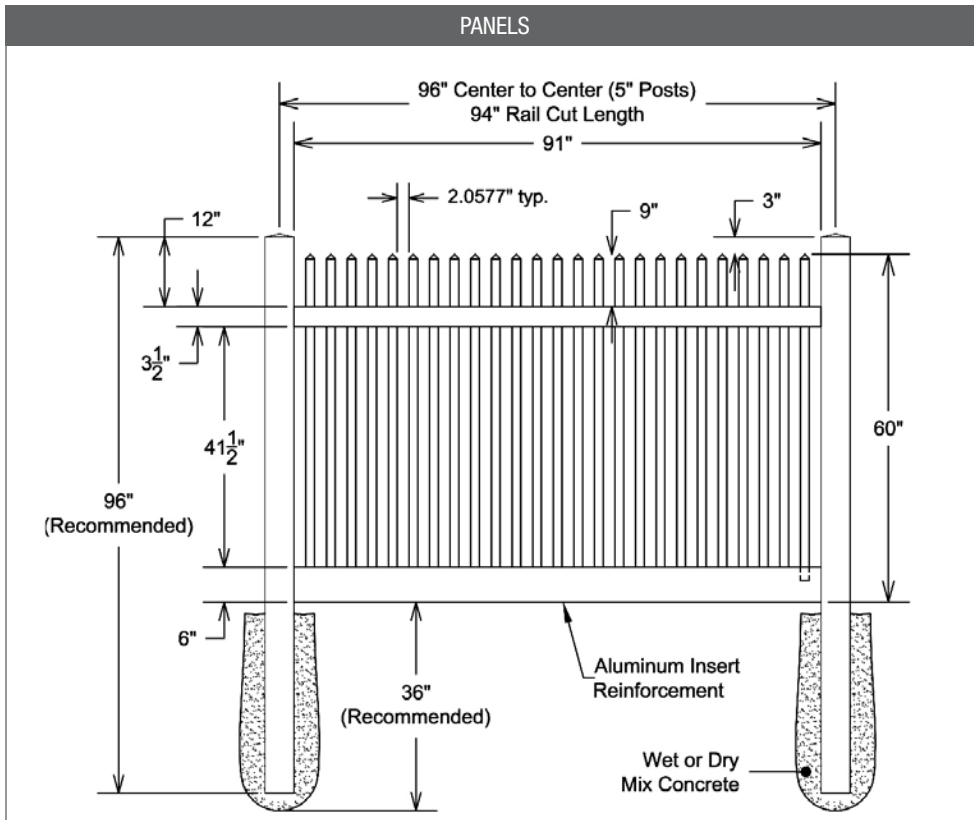


Rail Profile



5' H x 8' W • CLASSIC STRAIGHT PICKET 2" x 6" BOTTOM RAIL • 1½" SQ. PICKETS

| DESCRIPTION | White | | Sand | |
|---|----------|-----|----------|-----|
| | MFG# | QTY | MFG# | QTY |
| 5' x 8' Classic Straight Picket Panel | 73011657 | | 73011663 | |
| 5" x 5" x 96" Line Post | 73011730 | | 73011736 | |
| 5" x 5" x 96" Corner Post | 73011731 | | 73011737 | |
| 5" x 5" x 96" End Post | 73011732 | | 73011738 | |
| 5" x 5" Pyramid Post Cap | 73003093 | | 73003769 | |
| 5" x 5" Internal Post Cap | 73007092 | | 73007093 | |
| 5" x 5" New England Post Cap | 73045003 | | 73045004 | |
| 5' x 46" Classic Straight Picket Walk Gate | 73024205 | | 73024207 | |
| 5' x 58" Classic Straight Picket Drive Gate | 73024206 | | 73024208 | |



| FENCE PANEL COMPONENTS | |
|-------------------------------------|-----|
| DESCRIPTION | QTY |
| 2" x 6" x 94" Rail | 1 |
| 2" x 3½" x 94" Rail | 1 |
| 1½" x 1½" Dog-Ear Pickets | 25 |
| 1½" x 1½" Picket Caps | 25 |
| 1.77" x 1.85" x 93" Aluminum Insert | 1 |

| HARDWARE | Black |
|--|----------|
| | SKU |
| Heavy-Duty Contemporary Wrap Hinge | 73014300 |
| Gate Handle | 73014320 |
| Gate Stop | 73014321 |
| 24" Heavy-Duty Drop Rod | 73014305 |
| Locking Gravity Latch 2-Sided Key Access | 73050187 |
| 5" x 5" x 94" Gate Post Insert | 73012353 |



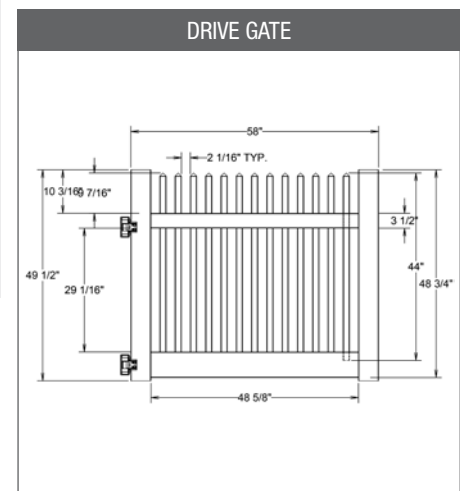
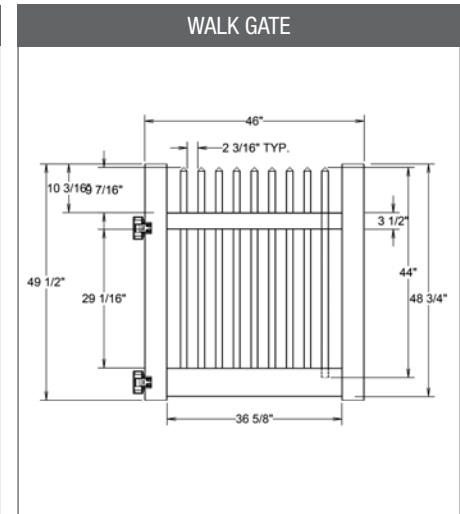
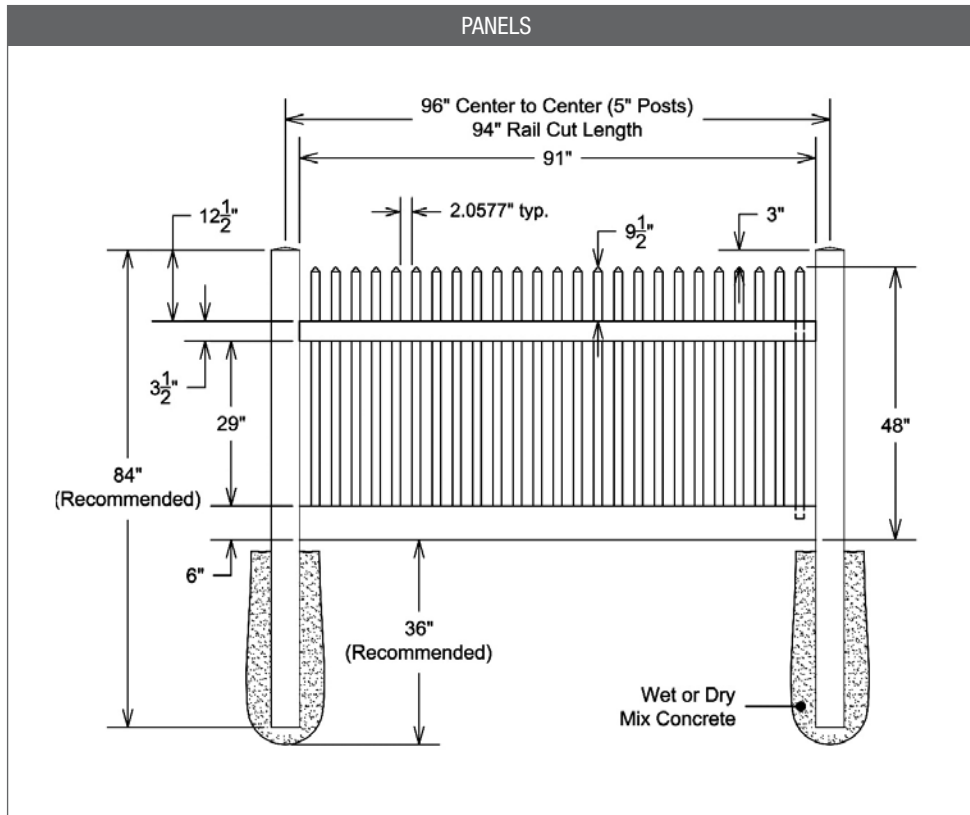
Rail Profile



PICKET — 8 FOOT

4' H x 8' W • CLASSIC STRAIGHT PICKET 2" x 6" BOTTOM RAIL • 1½" SQ. PICKETS

| DESCRIPTION | White | | Sand | |
|---|----------|-----|----------|-----|
| | MFG# | QTY | MFG# | QTY |
| 4' x 8' Classic Straight Picket Panel | 73011681 | | 73011687 | |
| 5" x 5" x 84" Line Post | 73011754 | | 73011760 | |
| 5" x 5" x 84" Corner Post | 73011755 | | 73011761 | |
| 5" x 5" x 84" End Post | 73011756 | | 73011762 | |
| 5" x 5" Pyramid Post Cap | 73003093 | | 73003769 | |
| 5" x 5" Internal Post Cap | 73007092 | | 73007093 | |
| 5" x 5" New England Post Cap | 73045003 | | 73045004 | |
| 4' x 46" Classic Straight Picket Walk Gate | 73014743 | | 73014745 | |
| 4' x 58" Classic Straight Picket Drive Gate | 73014744 | | 73014746 | |



| FENCE PANEL COMPONENTS | |
|-------------------------------------|-----|
| DESCRIPTION | QTY |
| 2" x 6" x 94" Rail | 1 |
| 2" x 3½" x 94" Rail | 1 |
| 1½" x 1½" x 43⅞" Dog-Ear Pickets | 25 |
| 1½" x 1½" Picket Caps | 25 |
| 1.77" x 1.85" x 93" Aluminum Insert | 1 |

| HARDWARE | Black |
|--|----------|
| | SKU |
| Heavy-Duty Contemporary Wrap Hinge | 73014300 |
| Gate Handle | 73014320 |
| Gate Stop | 73014321 |
| 24" Heavy-Duty Drop Rod | 73014305 |
| Locking Gravity Latch 2-Sided Key Access | 73050187 |
| 5" x 5" x 82" Gate Post Insert | 73003718 |

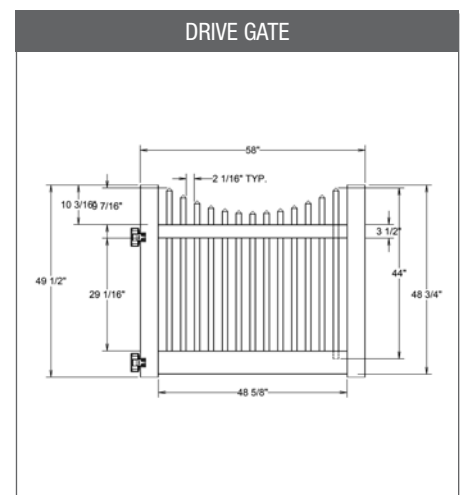
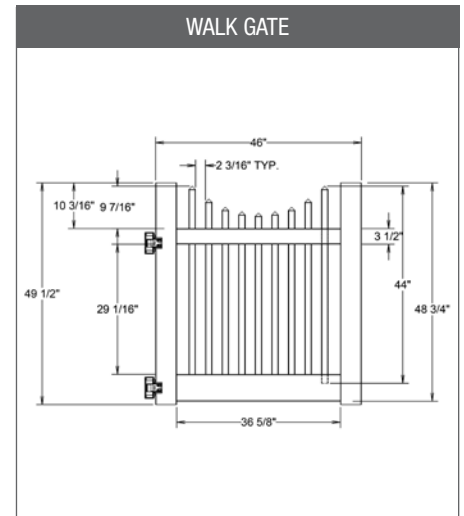
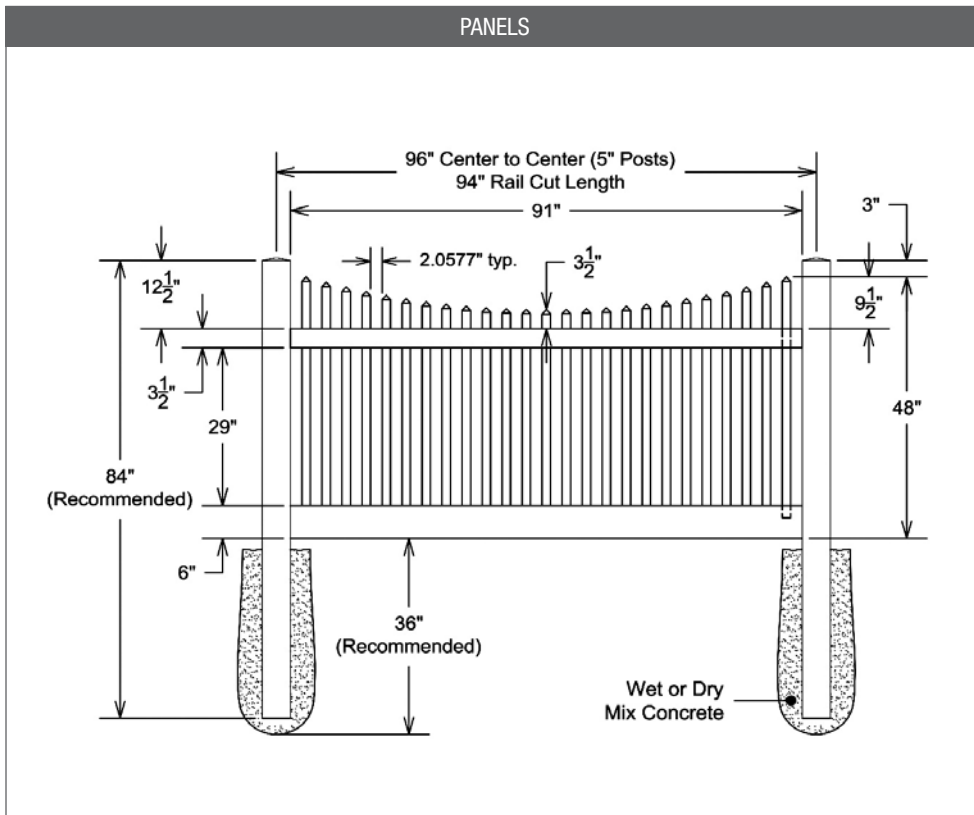


Rail Profile



4' H x 8' W • CLASSIC SCALLOP PICKET 2" x 6" BOTTOM RAIL • 1½" SQ. PICKETS

| DESCRIPTION | White | | Sand | |
|--|----------|-----|----------|-----|
| | MFG# | QTY | MFG# | QTY |
| 4' x 8' Classic Scallop Picket Panel | 73011753 | | 73011759 | |
| 5" x 5" x 84" Line Post | 73011754 | | 73011760 | |
| 5" x 5" x 84" Corner Post | 73011755 | | 73011761 | |
| 5" x 5" x 84" End Post | 73011756 | | 73011762 | |
| 5" x 5" Pyramid Post Cap | 73003093 | | 73003769 | |
| 5" x 5" Internal Post Cap | 73007092 | | 73007093 | |
| 5" x 5" New England Post Cap | 73045003 | | 73045004 | |
| 4' x 46" Classic Scallop Picket Walk Gate | 73014749 | | 73014751 | |
| 4' x 58" Classic Scallop Picket Drive Gate | 73014750 | | 73014752 | |



| FENCE PANEL COMPONENTS | |
|-------------------------------------|-----|
| DESCRIPTION | QTY |
| 2" x 3½" x 94" Rail | 1 |
| 2" x 6" x 94" Rail | 1 |
| 1½" x 1½" x 44" Pyramid Picket Caps | 25 |
| 1.77" x 1.85" x 93" Aluminum Insert | 1 |

| HARDWARE | Black |
|--|----------|
| | SKU |
| Heavy-Duty Contemporary Wrap Hinge | 73014300 |
| Gate Handle | 73014320 |
| Gate Stop | 73014321 |
| 24" Heavy-Duty Drop Rod | 73014305 |
| Locking Gravity Latch 2-Sided Key Access | 73050187 |
| 5" x 5" x 82" Gate Post Insert | 73003718 |



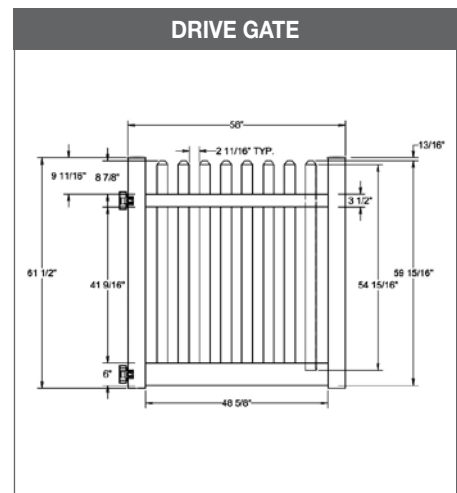
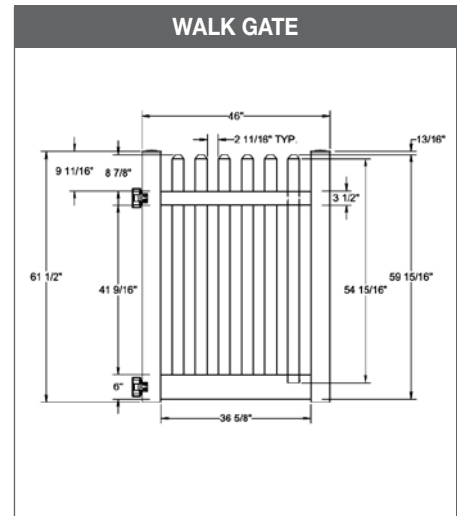
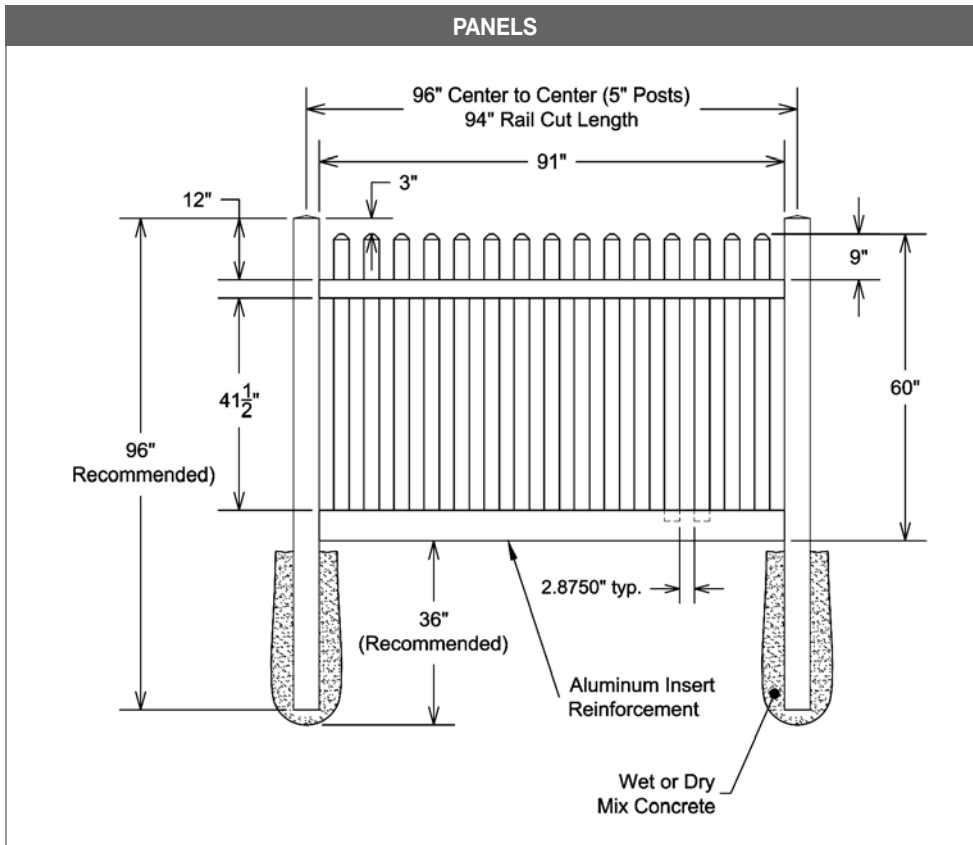
Rail Profile



PICKET — 8 FOOT

5' H x 8' W • DOG-EAR STRAIGHT PICKET 2" x 6" BOTTOM RAIL • 3" PICKETS

| DESCRIPTION | White | | Sand | |
|---|----------|-----|----------|-----|
| | MFG# | QTY | MFG# | QTY |
| 5' x 8' Dog-Ear Straight Picket Panel | 73011885 | | 73011888 | |
| 5" x 5" x 96" Line Post | 73011730 | | 73011736 | |
| 5" x 5" x 96" Corner Post | 73011731 | | 73011737 | |
| 5" x 5" x 96" End Post | 73011732 | | 73011738 | |
| 5" x 5" Pyramid Post Cap | 73003093 | | 73003769 | |
| 5" x 5" Internal Post Cap | 73007092 | | 73007093 | |
| 5" x 5" New England Post Cap | 73045003 | | 73045004 | |
| 5' x 46" Dog-Ear Straight Picket Walk Gate | 73024259 | | 73024261 | |
| 5' x 58" Dog-Ear Straight Picket Drive Gate | 73024260 | | 73024262 | |



| FENCE PANEL COMPONENTS | |
|-------------------------------|-----|
| DESCRIPTION | QTY |
| 2" x 6" x 94" Bottom Rail | 1 |
| 2" x 3 1/2" x 94" Top Rail | 1 |
| 7/8" x 3" x 54 15/16" Pickets | 25 |
| 7/8" x 3" Dog-Ear Caps | 15 |
| 93" Aluminum Insert | 1 |

| HARDWARE | Black |
|--|----------|
| | SKU |
| Heavy-Duty Contemporary Wrap Hinge | 73014300 |
| Gate Handle | 73014320 |
| Gate Stop | 73014321 |
| 24" Heavy-Duty Drop Rod | 73014305 |
| Locking Gravity Latch 2-Sided Key Access | 73050187 |
| 5" x 5" x 94" Gate Post Insert | 73012353 |

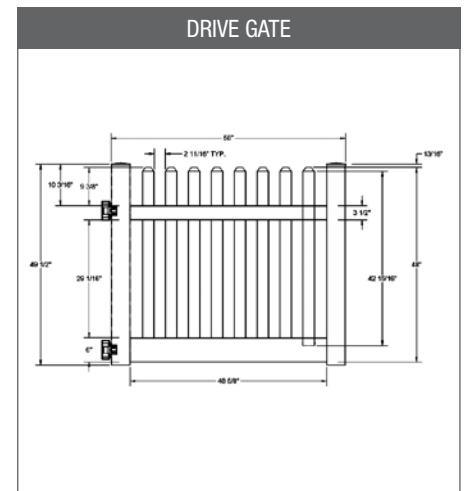
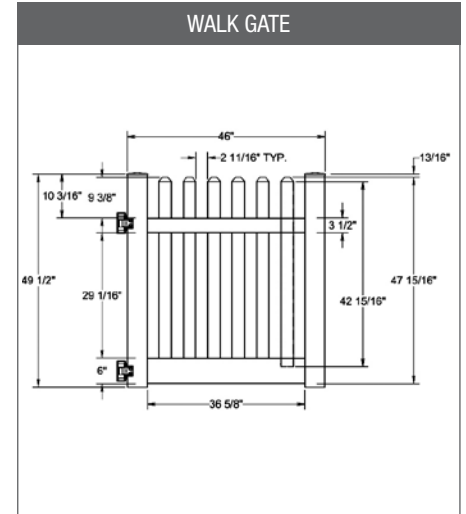
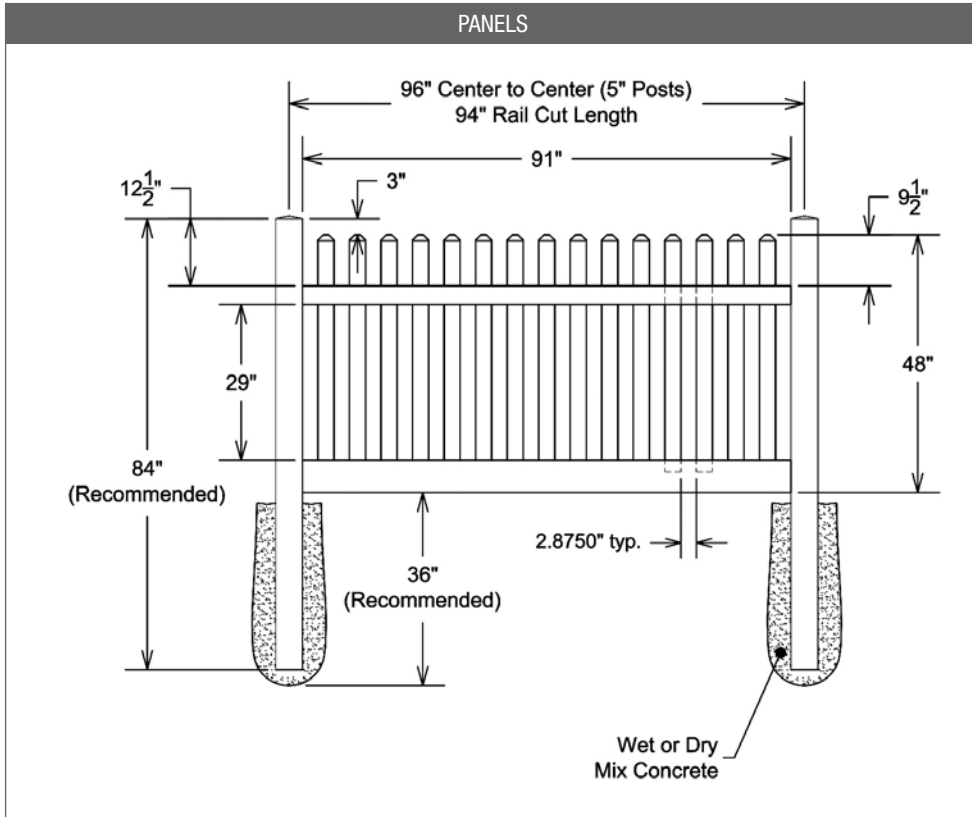


Rail Profile



4' H x 8' W • DOG-EAR STRAIGHT PICKET 2" x 6" BOTTOM RAIL • 3" PICKETS

| DESCRIPTION | White | | Sand | |
|---|----------|-----|----------|-----|
| | MFG# | QTY | MFG# | QTY |
| 4' x 8' Dog-Ear Straight Picket Panel | 73011897 | | 73011900 | |
| 5" x 5" x 84" Line Post | 73011754 | | 73011760 | |
| 5" x 5" x 84" Corner Post | 73011755 | | 73011761 | |
| 5" x 5" x 84" End Post | 73011756 | | 73011762 | |
| 5" x 5" Pyramid Post Cap | 73003093 | | 73003769 | |
| 5" x 5" Internal Post Cap | 73007092 | | 73007093 | |
| 5" x 5" New England Post Cap | 73045003 | | 73045004 | |
| 4' x 46" Dog-Ear Straight Picket Walk Gate | 73014755 | | 73014757 | |
| 4' x 58" Dog-Ear Straight Picket Drive Gate | 73014756 | | 73014758 | |



| FENCE PANEL COMPONENTS | |
|--|-----|
| DESCRIPTION | QTY |
| 2" x 6" x 94" Rail | 1 |
| 2" x 3 1/2" x 94" Rail | 1 |
| 7/8" x 3" x 43.938 Picket Dog-Ear Caps | 15 |

| HARDWARE | Black |
|--|----------|
| | SKU |
| Heavy-Duty Contemporary Wrap Hinge | 73014300 |
| Gate Handle | 73014320 |
| Gate Stop | 73014321 |
| 24" Heavy-Duty Drop Rod | 73014305 |
| Locking Gravity Latch 2-Sided Key Access | 73050187 |
| 5" x 5" x 82" Gate Post Insert | 73003718 |



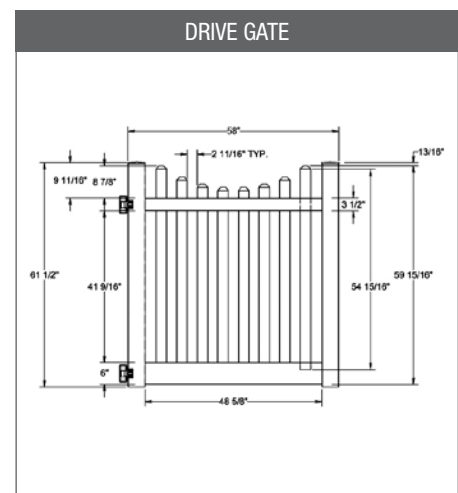
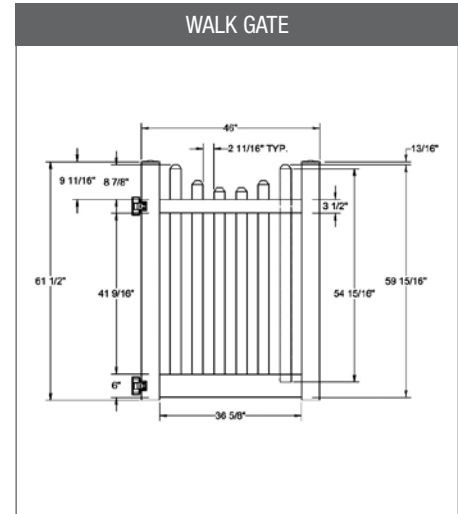
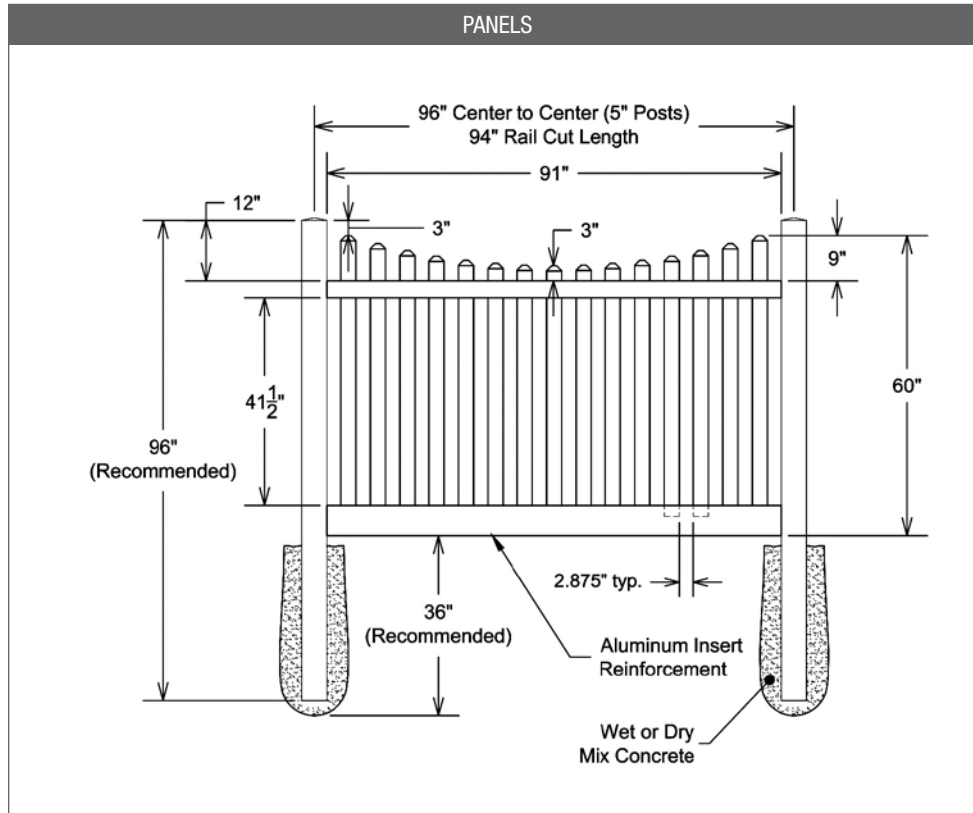
Rail Profile



PICKET — 8 FOOT

5' H x 8' W • DOG-EAR SCALLOP PICKET 2" x 6" BOTTOM RAIL • 3" PICKETS

| DESCRIPTION | White | | Sand | |
|--|----------|-----|----------|-----|
| | MFG# | QTY | MFG# | QTY |
| 5' x 8' Dog-Ear Scallop Picket Panel | 73011933 | | 73011936 | |
| 5" x 5" x 96" Line Post | 73011730 | | 73011736 | |
| 5" x 5" x 96" Corner Post | 73011731 | | 73011737 | |
| 5" x 5" x 96" End Post | 73011732 | | 73011738 | |
| 5" x 5" Pyramid Post Cap | 73003093 | | 73003769 | |
| 5" x 5" Internal Post Cap | 73007092 | | 73007093 | |
| 5" x 5" New England Post Cap | 73045003 | | 73045004 | |
| 5' x 46" Dog-Ear Scallop Picket Walk Gate | 73024274 | | 73024276 | |
| 5' x 58" Dog-Ear Scallop Picket Drive Gate | 73024275 | | 73024277 | |



| FENCE PANEL COMPONENTS | |
|-------------------------------------|-----|
| DESCRIPTION | QTY |
| 2" x 6" x 94" Rail | 1 |
| 2" x 3 1/2" x 94" Rail | 1 |
| 7/8" x 3" Dog-Ear Picket Caps | 15 |
| 1.77" x 1.85" x 93" Aluminum Insert | 1 |

| HARDWARE | Black |
|--|----------|
| | SKU |
| Heavy-Duty Contemporary Wrap Hinge | 73014300 |
| Gate Handle | 73014320 |
| Gate Stop | 73014321 |
| 24" Heavy-Duty Drop Rod | 73014305 |
| Locking Gravity Latch 2-Sided Key Access | 73050187 |
| 5" x 5" x 94" Gate Post Insert | 73012353 |

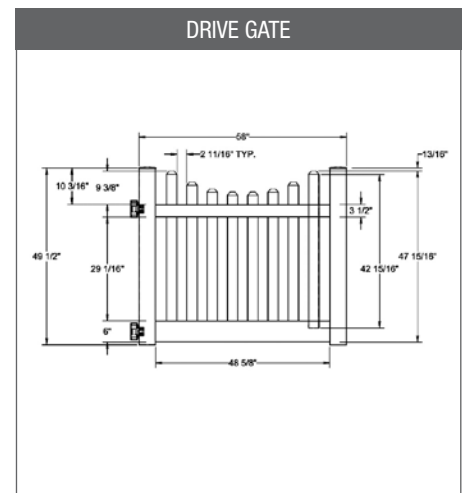
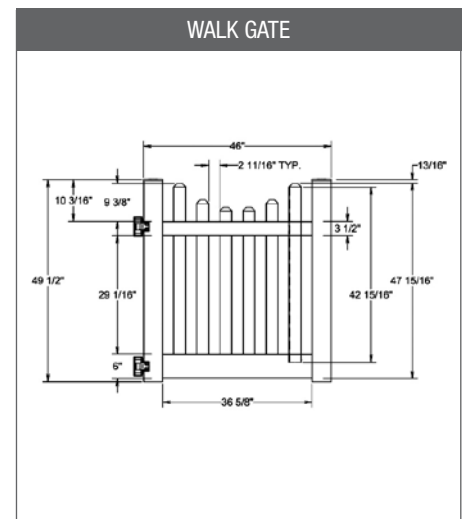
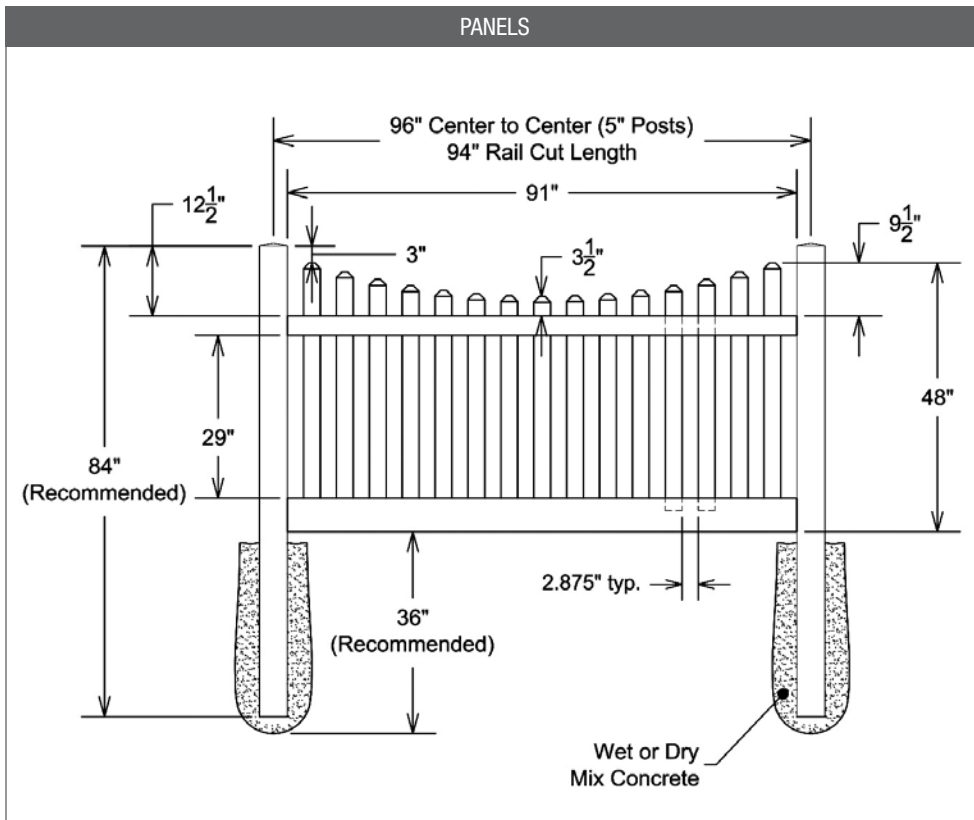


Rail Profile



4' H x 8' W • DOG-EAR SCALLOP PICKET 2" x 6" BOTTOM RAIL • 3" PICKETS

| DESCRIPTION | White | | Sand | |
|--|----------|-----|----------|-----|
| | MFG# | QTY | MFG# | QTY |
| 4' x 8' Dog-Ear Scallop Picket Panel | 73011945 | | 73011948 | |
| 5" x 5" x 84" Line Post | 73011754 | | 73011760 | |
| 5" x 5" x 84" Corner Post | 73011755 | | 73011761 | |
| 5" x 5" x 84" End Post | 73011756 | | 73011762 | |
| 5" x 5" Pyramid Post Cap | 73003093 | | 73003769 | |
| 5" x 5" Internal Post Cap | 73007092 | | 73007093 | |
| 5" x 5" New England Post Cap | 73045003 | | 73045004 | |
| 4' x 46" Dog-Ear Scallop Picket Walk Gate | 73014759 | | 73014761 | |
| 4' x 58" Dog-Ear Scallop Picket Drive Gate | 73014760 | | 73014762 | |



| FENCE PANEL COMPONENTS | |
|-------------------------------------|-----|
| DESCRIPTION | QTY |
| 2" x 6" x 94" Rail | 1 |
| 2" x 3 1/2" x 94" Rail | 1 |
| 7/8" x 3" Dog-Ear Caps | 15 |
| 1.77" x 1.85" x 93" Aluminum Insert | 1 |

| HARDWARE | Black |
|--|----------|
| | SKU |
| Heavy-Duty Contemporary Wrap Hinge | 73014300 |
| Gate Handle | 73014320 |
| Gate Stop | 73014321 |
| 24" Heavy-Duty Drop Rod | 73014305 |
| Locking Gravity Latch 2-Sided Key Access | 73050187 |
| 5" x 5" x 82" Gate Post Insert | 73003718 |



Rail Profile

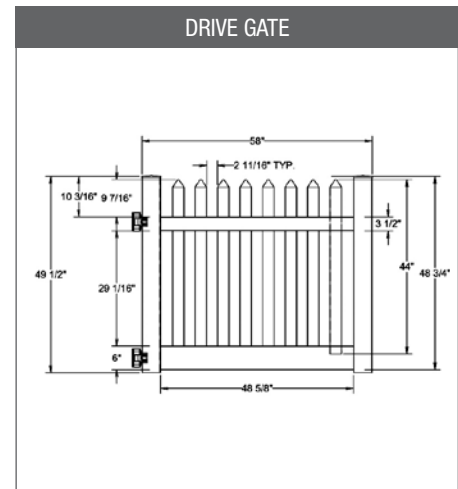
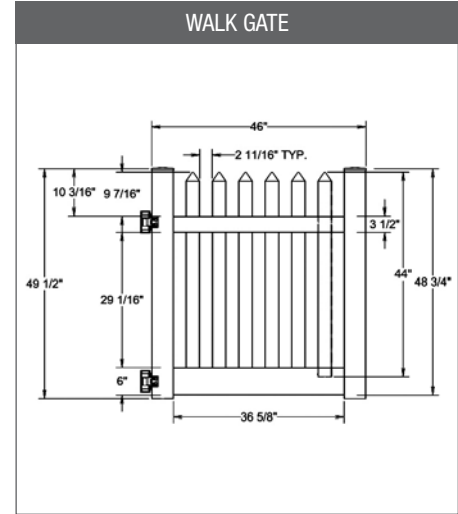
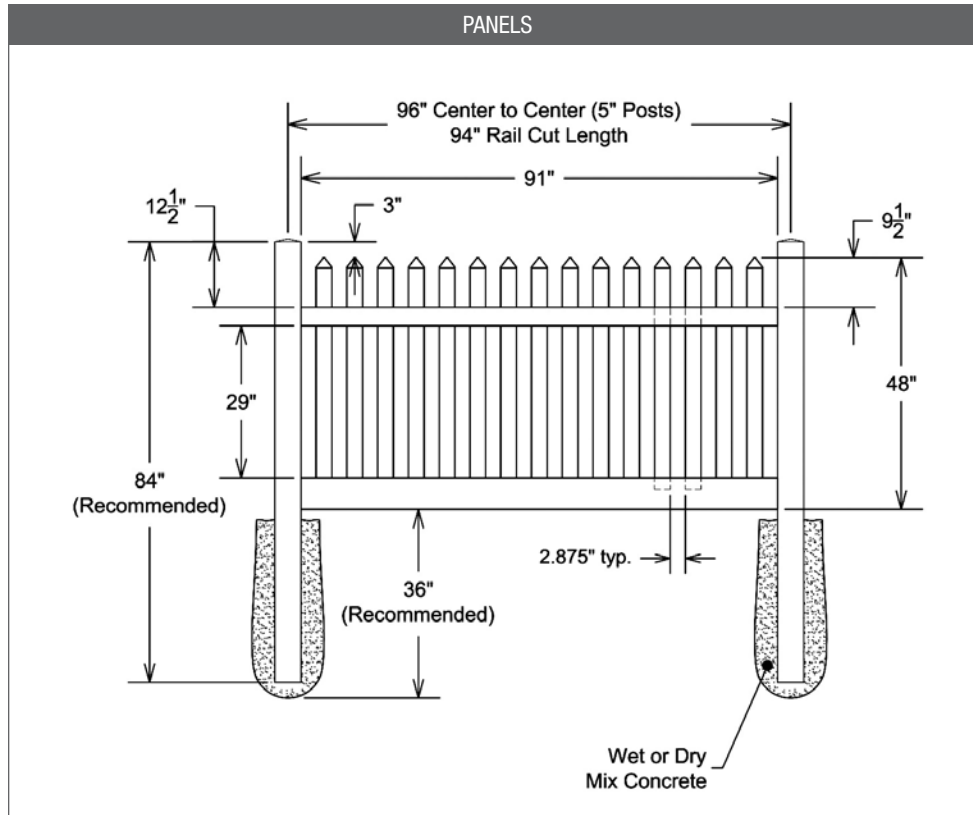


PICKET — 8 FOOT

4' H x 8' W • SPADE STRAIGHT PICKET

2" x 6" BOTTOM RAIL • 3" PICKETS

| DESCRIPTION | White | | Sand | |
|---|----------|-----|----------|-----|
| | MFG# | QTY | MFG# | QTY |
| 4' x 8' Spade Straight Picket Panel | 73011981 | | 73011984 | |
| 5" x 5" x 84" Line Post | 73011754 | | 73011760 | |
| 5" x 5" x 84" Corner Post | 73011755 | | 73011761 | |
| 5" x 5" x 84" End Post | 73011756 | | 73011762 | |
| 5" x 5" Pyramid Post Cap | 73003093 | | 73003769 | |
| 5" x 5" Internal Post Cap | 73007092 | | 73007093 | |
| 5" x 5" New England Post Cap | 73045003 | | 73045004 | |
| 4' x 46" Spade Straight Picket Walk Gate | 73014765 | | 73024292 | |
| 4' x 58" Spade Straight Picket Drive Gate | 73014766 | | 73024293 | |



| FENCE PANEL COMPONENTS | |
|-----------------------------|-----|
| DESCRIPTION | QTY |
| 2" x 6" x 94" Rail | 1 |
| 2" x 3 1/2" x 94" Rail | 1 |
| 7/8" x 3" Spade Picket Caps | 15 |
| 7/8" x 3" x 42" Pickets | 15 |

| HARDWARE | Black |
|--|----------|
| | SKU |
| Heavy-Duty Contemporary Wrap Hinge | 73014300 |
| Gate Handle | 73014320 |
| Gate Stop | 73014321 |
| 24" Heavy-Duty Drop Rod | 73014305 |
| Locking Gravity Latch 2-Sided Key Access | 73050187 |
| 5" x 5" x 82" Gate Post Insert | 73003718 |

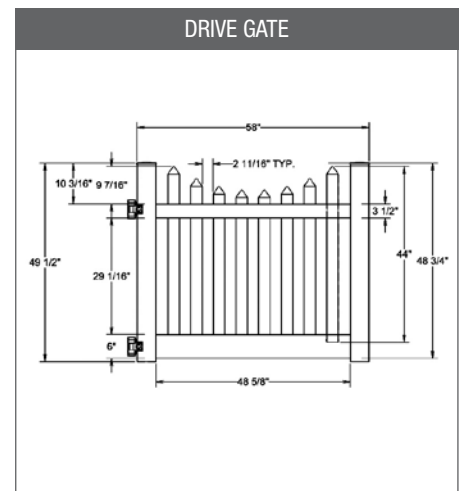
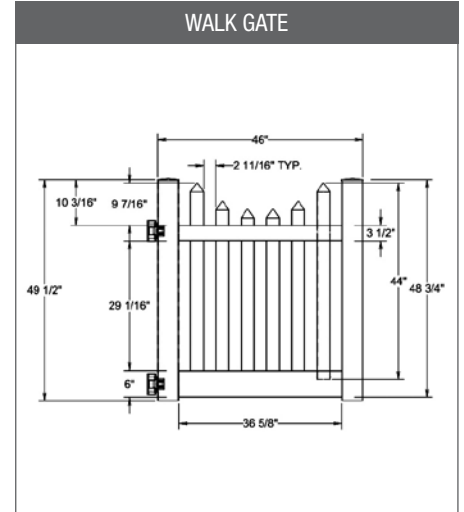
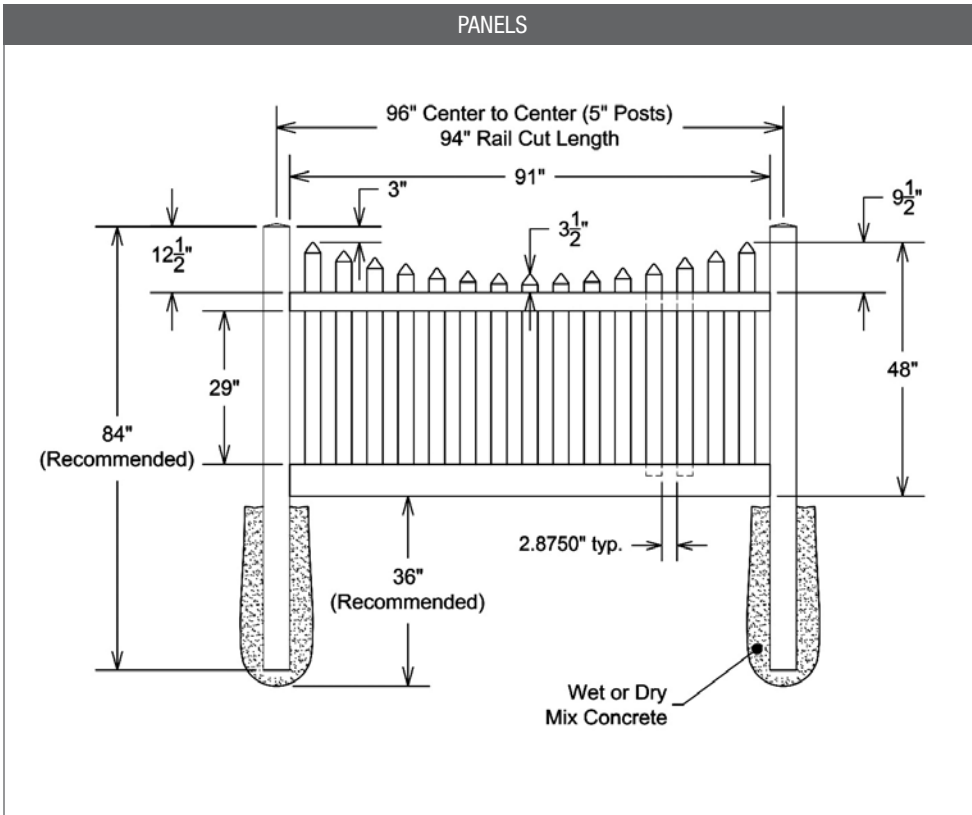


Rail Profile



4' H x 8' W • SPADE SCALLOP PICKET 2" x 6" BOTTOM RAIL • 3" PICKETS

| DESCRIPTION | White | | Sand | |
|--|----------|-----|----------|-----|
| | MFG# | QTY | MFG# | QTY |
| 4' x 8' Spade Scallop Picket Panel | 73012017 | | 73012020 | |
| 5" x 5" x 84" Line Post | 73011754 | | 73011760 | |
| 5" x 5" x 84" Corner Post | 73011755 | | 73011761 | |
| 5" x 5" x 84" End Post | 73011756 | | 73011762 | |
| 5" x 5" Pyramid Post Cap | 73003093 | | 73003769 | |
| 5" x 5" Internal Post Cap | 73007092 | | 73007093 | |
| 5" x 5" New England Post Cap | 73045003 | | 73045004 | |
| 4' x 46" Spade Scallop Picket Walk Gate | 73024308 | | 73024310 | |
| 4' x 58" Spade Scallop Picket Drive Gate | 73024309 | | 73024311 | |



| FENCE PANEL COMPONENTS | |
|-----------------------------------|-----|
| DESCRIPTION | QTY |
| 2" x 6" x 94" Rail | 1 |
| 2" x 3 1/2" x 94" Rail | 1 |
| 7/8" x 3" x 44" Spade Picket Caps | 15 |

| HARDWARE | Black |
|--|----------|
| | SKU |
| Heavy-Duty Contemporary Wrap Hinge | 73014300 |
| Gate Handle | 73014320 |
| Gate Stop | 73014321 |
| 24" Heavy-Duty Drop Rod | 73014305 |
| Locking Gravity Latch 2-Sided Key Access | 73050187 |
| 5" x 5" x 82" Gate Post Insert | 73012353 |



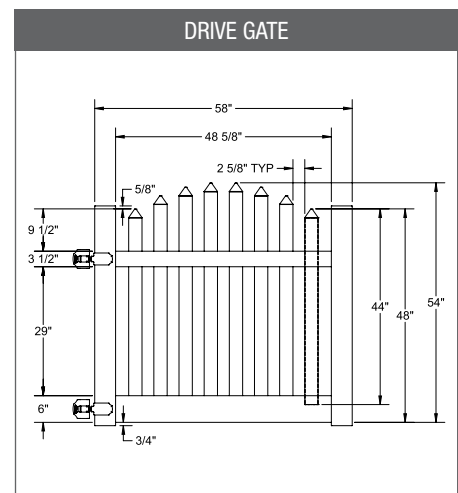
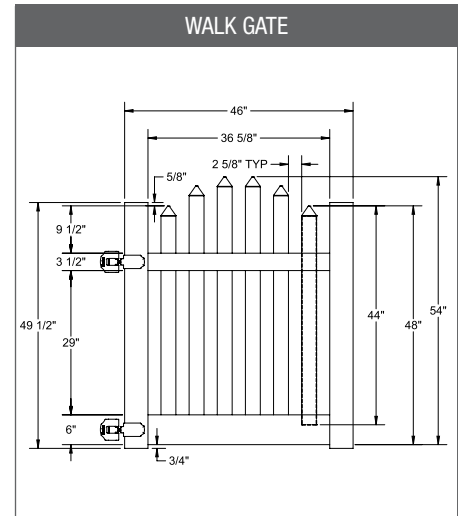
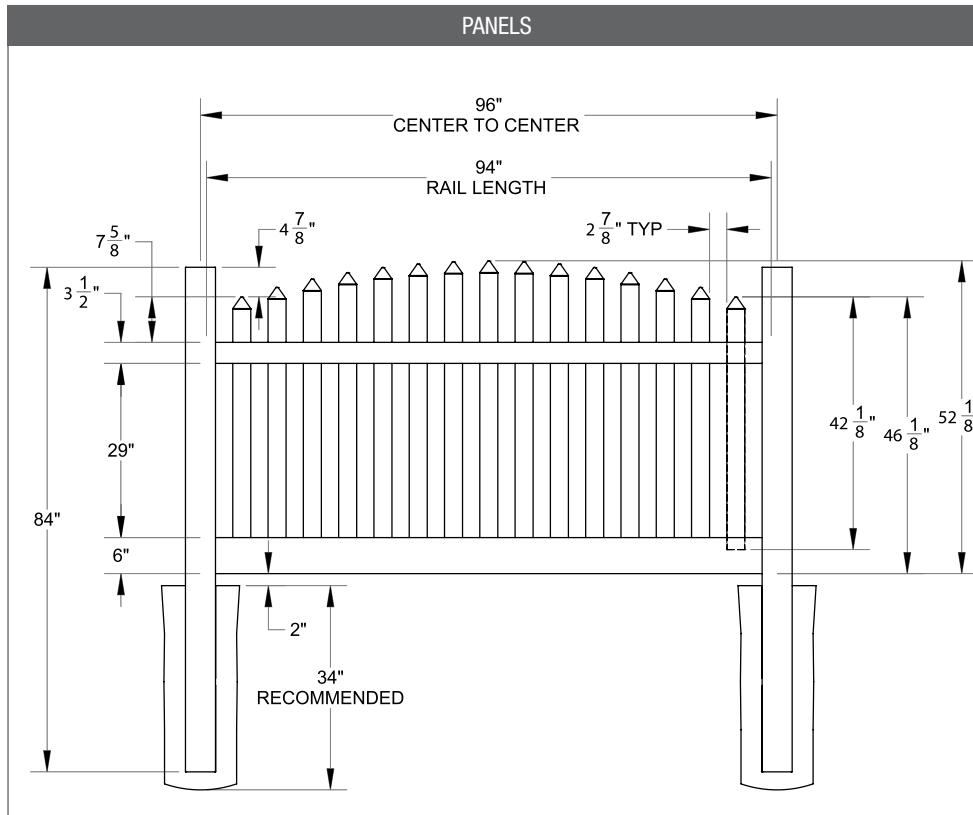
Rail Profile



PICKET — 8 FOOT

4' H x 8' W • SPADE ARCHED PICKET 2" x 6" BOTTOM RAIL • 3" PICKETS

| DESCRIPTION | White | | Sand | |
|---|----------|-----|----------|-----|
| | MFG# | QTY | MFG# | QTY |
| 4' x 8' Spade Arched Picket Panel | 73012053 | | 73012056 | |
| 5" x 5" x 60" Line Post | 73011754 | | 73011760 | |
| 5" x 5" x 60" Corner Post | 73011755 | | 73011761 | |
| 5" x 5" x 60" End Post | 73011756 | | 73011762 | |
| 5" x 5" Pyramid Post Cap | 73003093 | | 73003769 | |
| 5" x 5" Internal Post Cap | 73007092 | | 73007093 | |
| 5" x 5" New England Post Cap | 73045003 | | 73045004 | |
| 3' x 46" Spade Arched Picket Walk Gate | 73024326 | | 73024328 | |
| 3' x 58" Spade Arched Picket Drive Gate | 73024327 | | 73024329 | |



| FENCE PANEL COMPONENTS | |
|---------------------------------------|-----|
| DESCRIPTION | QTY |
| 2" x 6" x 94" Rail | 1 |
| 2" x 3 1/2" x 94" Rail | 1 |
| 7/8" x 3" x 49.938" Spade Picket Caps | 15 |

| HARDWARE | Black |
|--|----------|
| | SKU |
| Heavy-Duty Contemporary Wrap Hinge | 73014300 |
| Gate Handle | 73014320 |
| Gate Stop | 73014321 |
| 24" Heavy-Duty Drop Rod | 73014305 |
| Locking Gravity Latch 2-Sided Key Access | 73050187 |
| 5" x 5" x 58" Gate Post Insert | 73012352 |

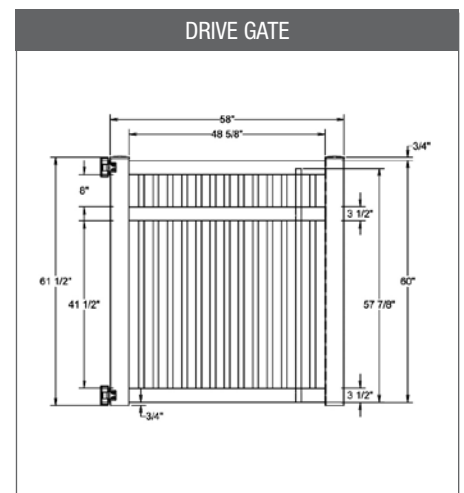
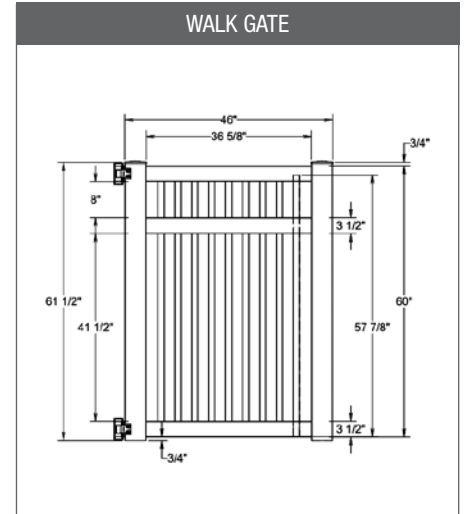
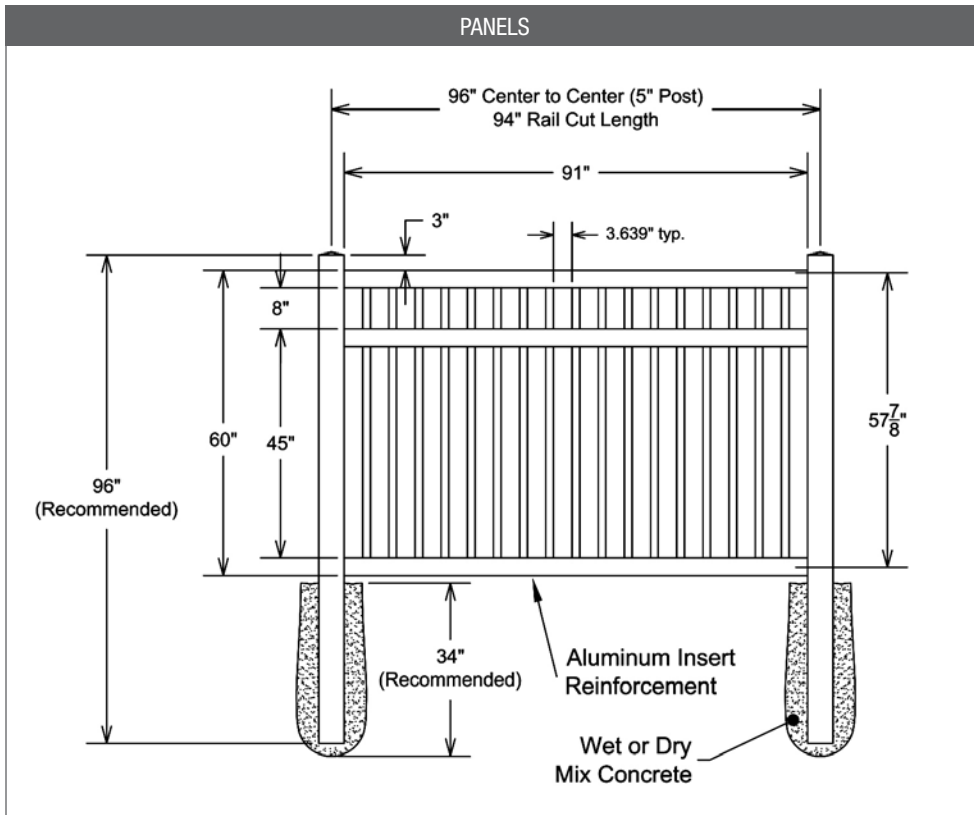


Rail Profile



5' H x 8' W • CLOSED PICKET 3 RAIL 2" x 3½" RAILS • 7/8" x 1½" PICKETS

| DESCRIPTION | White | | Sand | |
|--|----------|-----|----------|-----|
| | MFG# | QTY | MFG# | QTY |
| 5' x 8' Closed Picket 3 Rail Panel | 73012234 | | 73012237 | |
| 5" x 5" x 96" Line Post | 73012090 | | 73012096 | |
| 5" x 5" x 96" Corner Post | 73012091 | | 73012097 | |
| 5" x 5" x 96" End Post | 73012092 | | 73012098 | |
| 5" x 5" Pyramid Post Cap | 73003093 | | 73003769 | |
| 5" x 5" Internal Post Cap | 73007092 | | 73007093 | |
| 5" x 5" New England Post Cap | 73045003 | | 73045004 | |
| 5' x 46" Closed Picket 3 Rail Walk Gate | 73024338 | | 73024340 | |
| 5' x 58" Closed Picket 3 Rail Drive Gate | 73024339 | | 73024341 | |



| FENCE PANEL COMPONENTS | |
|-------------------------------------|-----|
| DESCRIPTION | QTY |
| 2" x 3½" x 94" Rail | 3 |
| 7/8" x 1½" x 57 7/8" Pickets | 17 |
| 1.77" x 1.85" x 93" Aluminum Insert | 1 |

| HARDWARE | Black |
|--|----------|
| | SKU |
| Heavy-Duty Contemporary Wrap Hinge | 73014300 |
| Gate Handle | 73014320 |
| Gate Stop | 73014321 |
| 24" Heavy-Duty Drop Rod | 73014305 |
| Locking Gravity Latch 2-Sided Key Access | 73050187 |
| 5" x 5" x 94" Gate Post Insert | 73012353 |



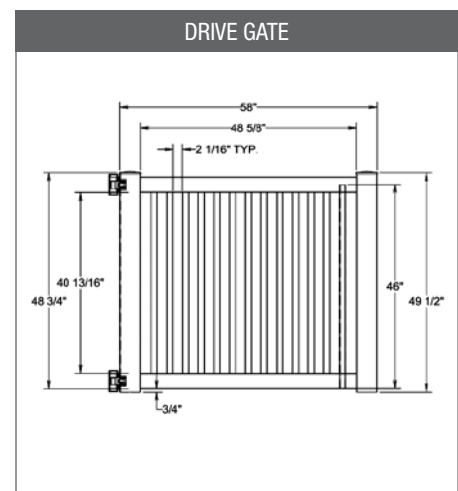
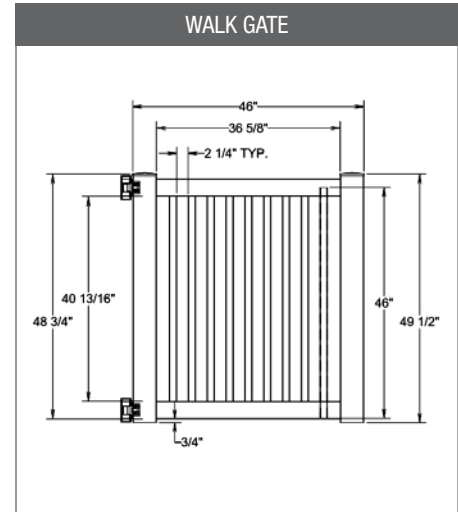
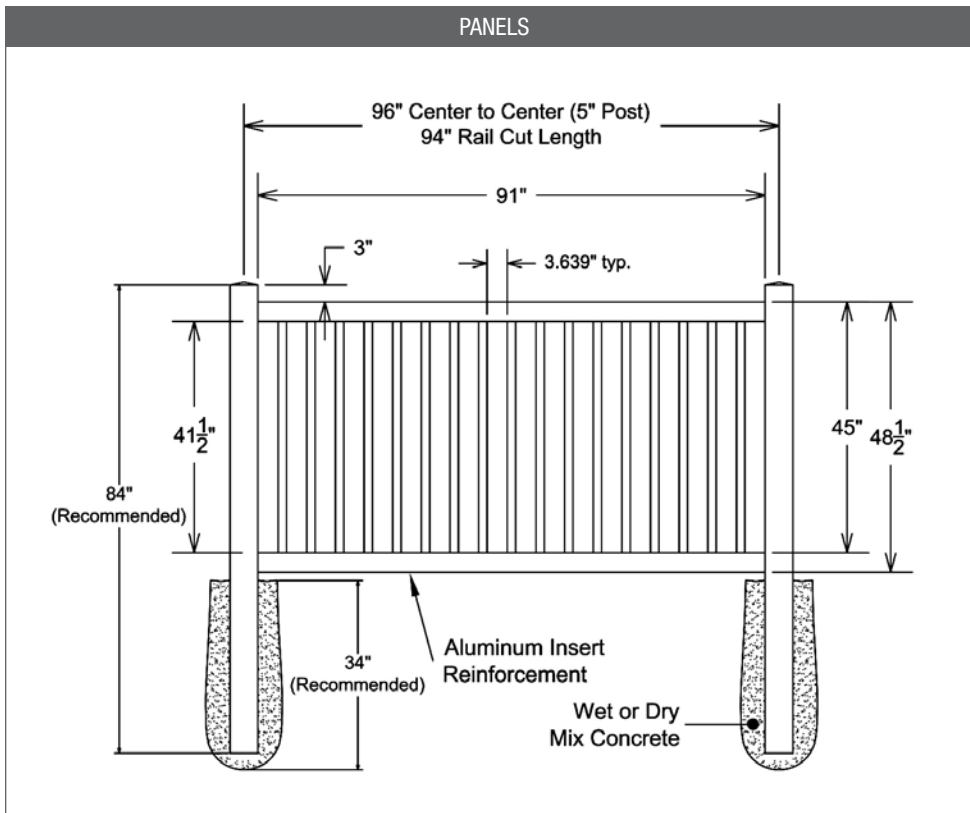
Rail Profile



PICKET — 8 FOOT

4' H x 8' W • CLOSED PICKET 2 RAIL 2" x 3½" RAILS • 7/8" x 1½" PICKETS

| DESCRIPTION | White | | Sand | |
|--|----------|-----|----------|-----|
| | MFG# | QTY | MFG# | QTY |
| 4' x 8' Closed Picket 2 Rail Panel | 73012283 | | 73012286 | |
| 5" x 5" x 84" Line Post | 73012186 | | 73012192 | |
| 5" x 5" x 84" Corner Post | 73012187 | | 73012193 | |
| 5" x 5" x 84" End Post | 73012188 | | 73012194 | |
| 5" x 5" Pyramid Post Cap | 73003093 | | 73003769 | |
| 5" x 5" Internal Post Cap | 73007092 | | 73007093 | |
| 5" x 5" New England Post Cap | 73045003 | | 73045004 | |
| 4' x 46" Closed Picket 2 Rail Walk Gate | 73024344 | | 73024346 | |
| 4' x 58" Closed Picket 2 Rail Drive Gate | 73024345 | | 73024347 | |



| FENCE PANEL COMPONENTS | |
|-------------------------------------|-----|
| DESCRIPTION | QTY |
| 2" x 3½" x 94" Rail | 2 |
| 7/8" x 1½" x 46" Pickets | 17 |
| 1.77" x 1.85" x 93" Aluminum Insert | 1 |

| HARDWARE | Black |
|--|----------|
| | SKU |
| Heavy-Duty Contemporary Wrap Hinge | 73014300 |
| Gate Handle | 73014320 |
| Gate Stop | 73014321 |
| 24" Heavy-Duty Drop Rod | 73014305 |
| Locking Gravity Latch 2-Sided Key Access | 73050187 |
| 5" x 5" x 82" Gate Post Insert | 73003718 |

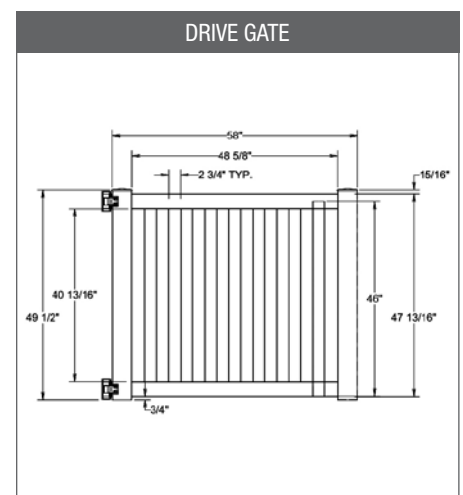
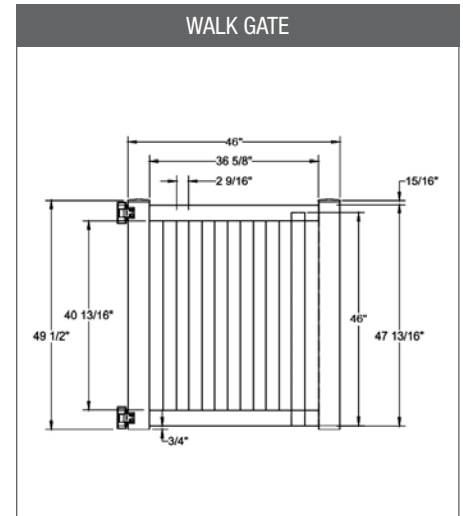
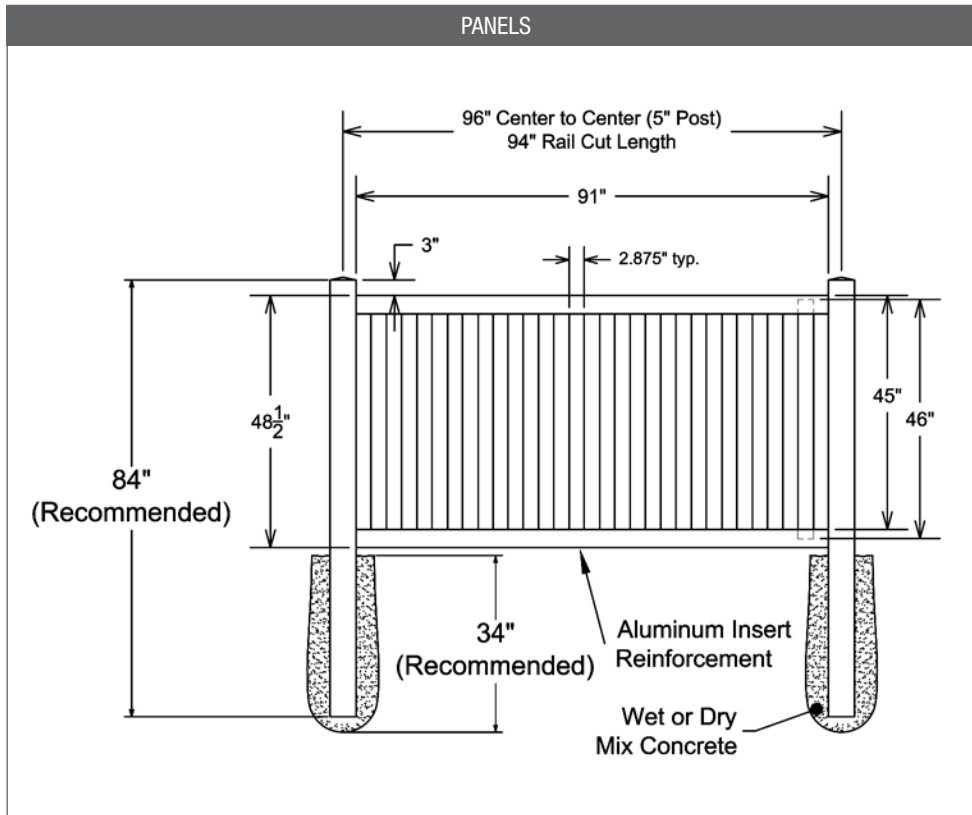


Rail Profile



4' H x 8' W • 3" CLOSED PICKET 2 RAIL 2" x 3½" RAILS • 3" PICKETS

| DESCRIPTION | White | | Sand | |
|--|----------|-----|----------|-----|
| | MFG# | QTY | MFG# | QTY |
| 4' x 8' 3" Closed Picket 2 Rail Panel | 73012319 | | 73012322 | |
| 5" x 5" x 84" Line Post | 73012186 | | 73012192 | |
| 5" x 5" x 84" Corner Post | 73012187 | | 73012193 | |
| 5" x 5" x 84" End Post | 73012188 | | 73012194 | |
| 5" x 5" Pyramid Post Cap | 73003093 | | 73003769 | |
| 5" x 5" Internal Post Cap | 73007092 | | 73007093 | |
| 5" x 5" New England Post Cap | 73045003 | | 73045004 | |
| 4' x 46" Closed Picket 2 Rail Walk Gate | 73014767 | | 73014769 | |
| 4' x 58" Closed Picket 2 Rail Drive Gate | 73014768 | | 73014770 | |



| FENCE PANEL COMPONENTS | |
|-------------------------------------|-----|
| DESCRIPTION | QTY |
| 2" x 3½" x 94" Rail | 2 |
| 7/8" x 1½" x 46" Pickets | 15 |
| 1.77" x 1.85" x 93" Aluminum Insert | 1 |

| HARDWARE | Black |
|--|----------|
| | SKU |
| Heavy-Duty Contemporary Wrap Hinge | 73014300 |
| Gate Handle | 73014320 |
| Gate Stop | 73014321 |
| 24" Heavy-Duty Drop Rod | 73014305 |
| Locking Gravity Latch 2-Sided Key Access | 73050187 |
| 5" x 5" x 82" Gate Post Insert | 73003718 |



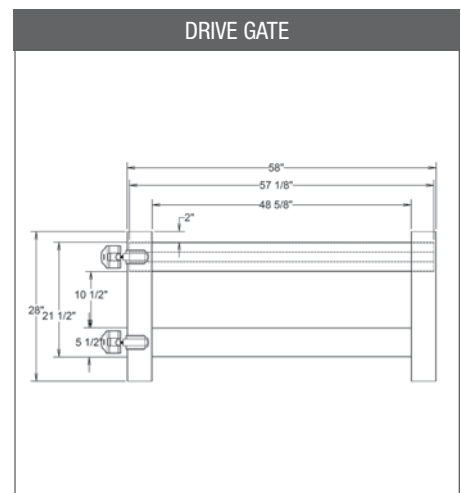
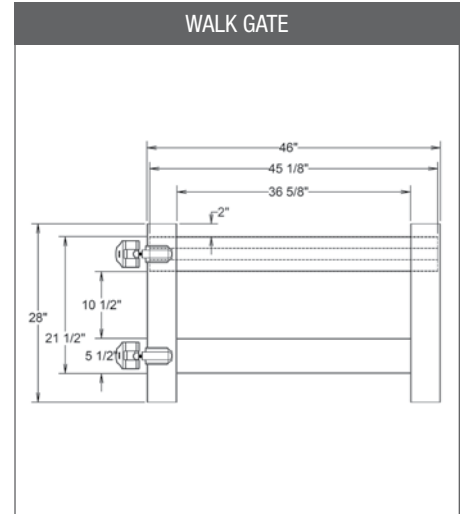
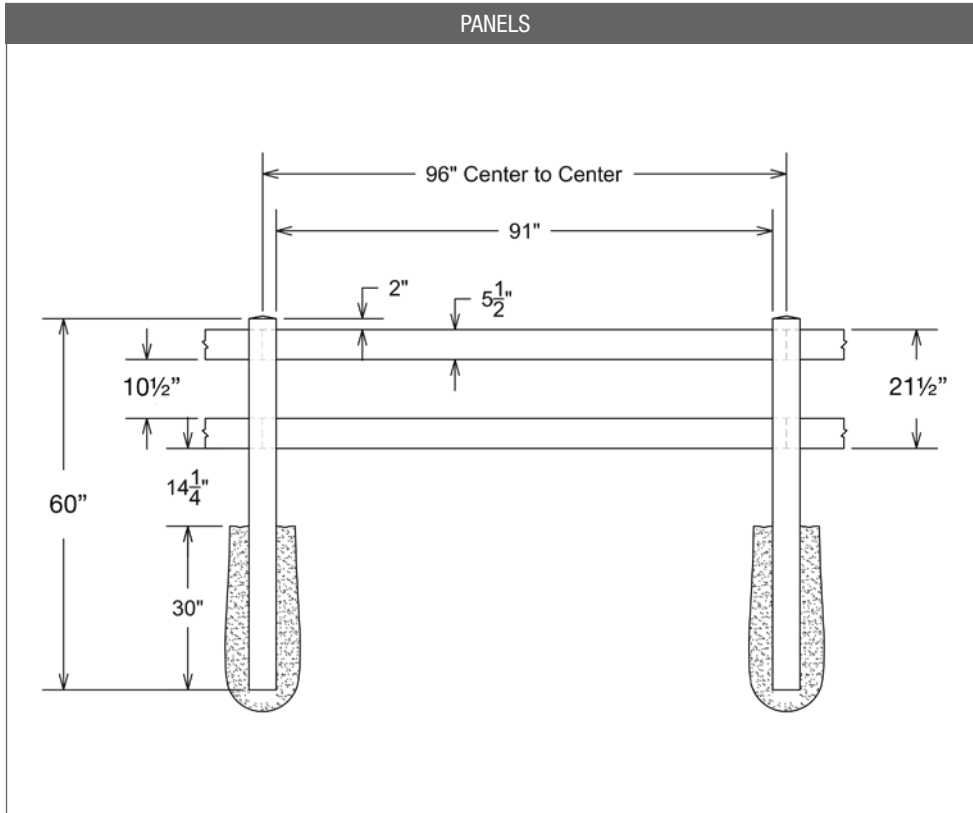
Rail Profile



RANCH RAIL

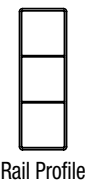
2 RAIL RANCH RAIL 1½" X 5½" RAILS

| DESCRIPTION | White | | Sand | |
|------------------------------------|----------|-----|----------|-----|
| | MFG# | QTY | MFG# | QTY |
| 1½" x 5½" x 96" Rail with Locktabs | 73012399 | | 73012400 | |
| 5" x 5" x 60" Line Post | 73025455 | | 73025458 | |
| 5" x 5" x 60" Corner Post | 73025456 | | 73025459 | |
| 5" x 5" x 60" End Post | 73025457 | | 73025460 | |
| 5" x 5" Pyramid Post Cap | 73003093 | | 73003769 | |
| 5" x 5" Internal Post Cap | 73007092 | | 73007093 | |
| 5" x 5" New England Post Cap | 73045003 | | 73045004 | |
| 46" 2 Rail Walk Gate | 73025437 | | 73025439 | |
| 58" 2 Rail Drive Gate | 73025438 | | 73025440 | |



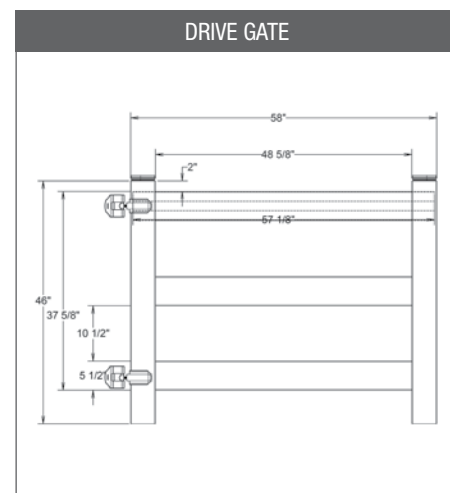
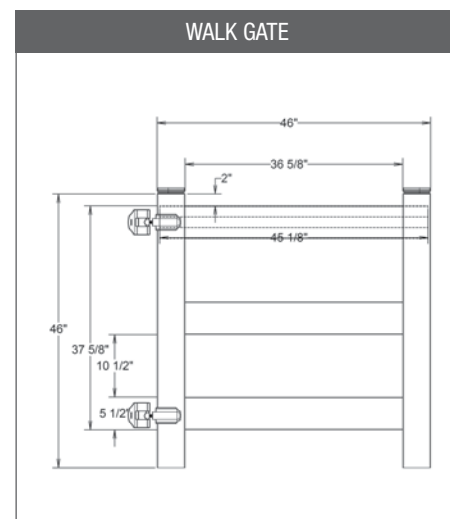
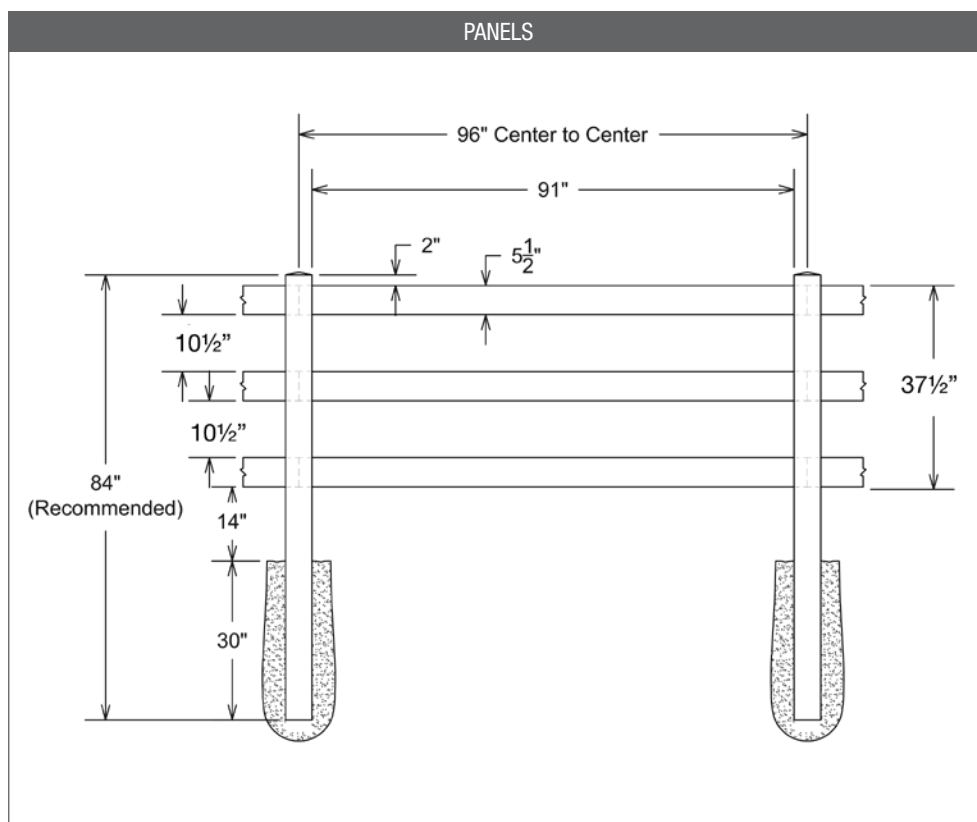
| FENCE PANEL COMPONENTS | |
|------------------------|-----|
| DESCRIPTION | QTY |
| 1½" x 5½" x 96" Rails | 3 |
| 5" x 5" x 84" Posts | 2 |

| HARDWARE | Black |
|--|----------|
| | SKU |
| Heavy-Duty Contemporary Wrap Hinge | 73014300 |
| Gate Handle | 73014320 |
| Gate Stop | 73014321 |
| 24" Heavy-Duty Drop Rod | 73014305 |
| Locking Gravity Latch 2-Sided Key Access | 73050187 |
| 5" x 5" x 58" Gate Post Insert | 73012352 |



3 RAIL RANCH RAIL 1½" X 5½" RAILS

| DESCRIPTION | White | | Sand | |
|------------------------------------|----------|-----|----------|-----|
| | MFG# | QTY | MFG# | QTY |
| 1½" x 5½" x 96" Rail with Locktabs | 73012399 | | 73012400 | |
| 5" x 5" x 84" Line Post | 73025464 | | 73025467 | |
| 5" x 5" x 84" Corner Post | 73025465 | | 73025468 | |
| 5" x 5" x 84" End Post | 73025466 | | 73025469 | |
| 5" x 5" Pyramid Post Cap | 73003093 | | 73003769 | |
| 5" x 5" Internal Post Cap | 73007092 | | 73007093 | |
| 5" x 5" New England Post Cap | 73045003 | | 73045004 | |
| 3 Rail Walk Gate | 73025443 | | 73025445 | |
| 3 Rail Drive Gate | 73025444 | | 73025446 | |



| FENCE PANEL COMPONENTS | |
|------------------------|-----|
| DESCRIPTION | QTY |
| 1½" x 5½" x 96" Rails | 3 |
| 5" x 5" x 96" Posts | 2 |

| HARDWARE | Black |
|--|----------|
| | SKU |
| Heavy-Duty Contemporary Wrap Hinge | 73014300 |
| Gate Handle | 73014320 |
| Gate Stop | 73014321 |
| 24" Heavy-Duty Drop Rod | 73014305 |
| Locking Gravity Latch 2-Sided Key Access | 73050187 |
| 5" x 5" x 82" Gate Post Insert | 73003718 |



Rail Profile

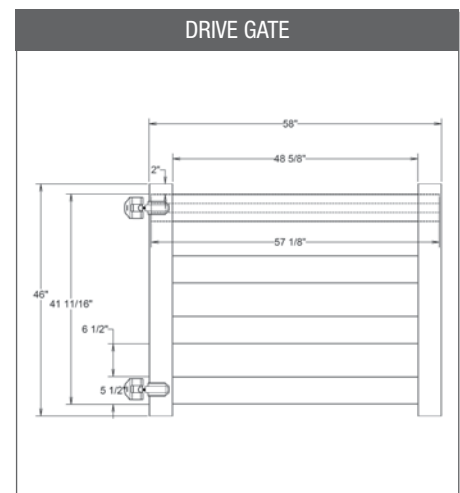
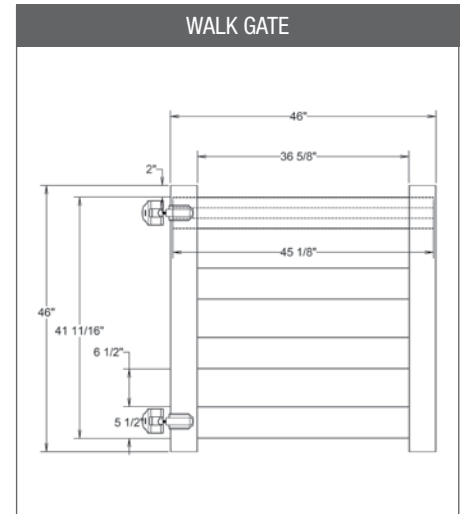
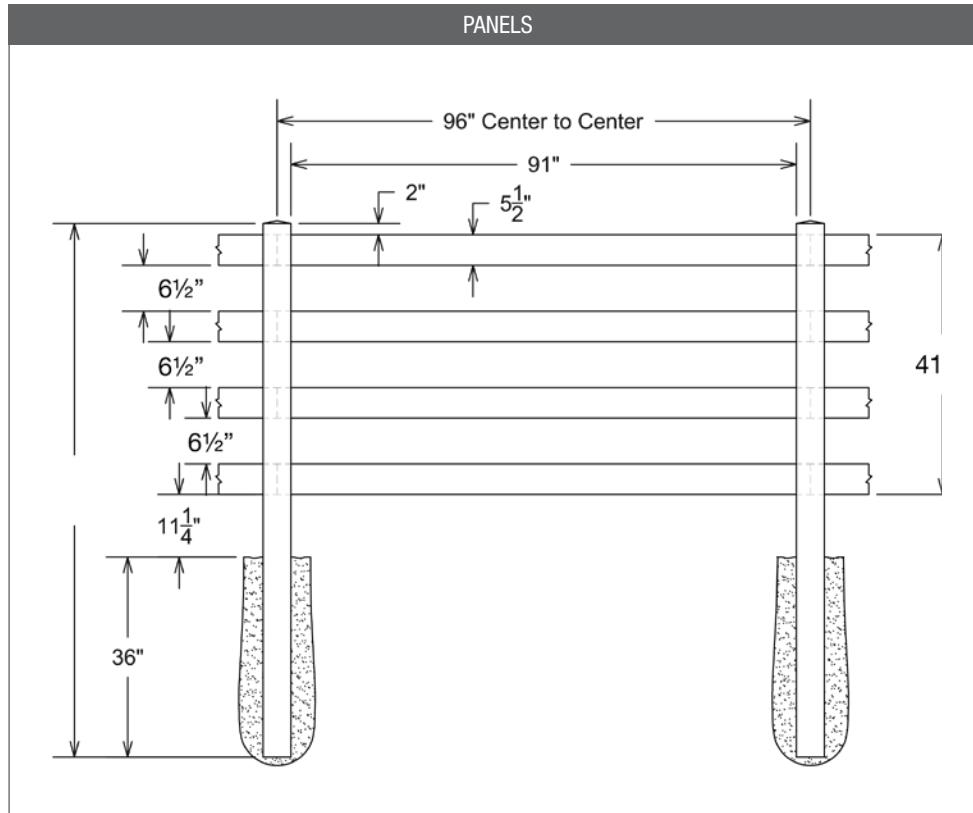


RANCH RAIL

4 RAIL RANCH RAIL 1½" X 5½" RAILS

| DESCRIPTION | White | | Sand | |
|------------------------------------|----------|-----|----------|-----|
| | MFG# | QTY | MFG# | QTY |
| 1½" x 5½" x 96" Rail with Locktabs | 73012399 | | 73012400 | |
| 5" x 5" x 84" Line Post | 73025473 | | 73025476 | |
| 5" x 5" x 84" Corner Post | 73025474 | | 73025477 | |
| 5" x 5" x 84" End Post | 73025475 | | 73025478 | |
| 5" x 5" Pyramid Post Cap | 73003093 | | 73003769 | |
| 5" x 5" Internal Post Cap | 73007092 | | 73007093 | |
| 5" x 5" New England Post Cap | 73045003 | | 73045004 | |
| 46" 4 Rail Walk Gate | 73025449 | | 73025451 | |
| 58" 4 Rail Drive Gate | 73025450 | | 73025452 | |

Four rails needed per section
Heavy-Duty Contemporary Wrap Hinges included



| FENCE PANEL COMPONENTS | |
|------------------------|-----|
| DESCRIPTION | QTY |
| 1½" x 5½" x 96 Rails* | 3 |
| 1½" x 5½" x 96 Rails** | |
| 5" x 5" x 84" Posts | 2 |

*Cut top and bottom of rails back to 4¾ (Max)

**Each cross member requires a 15 degree cut on both sides

| HARDWARE | Black |
|--|----------|
| | SKU |
| Heavy-Duty Contemporary Wrap Hinge | 73014300 |
| Gate Handle | 73014320 |
| Gate Stop | 73014321 |
| 24" Heavy-Duty Drop Rod | 73014305 |
| Locking Gravity Latch 2-Sided Key Access | 73050187 |
| 5" x 5" x 94" Gate Post Insert | 73012353 |



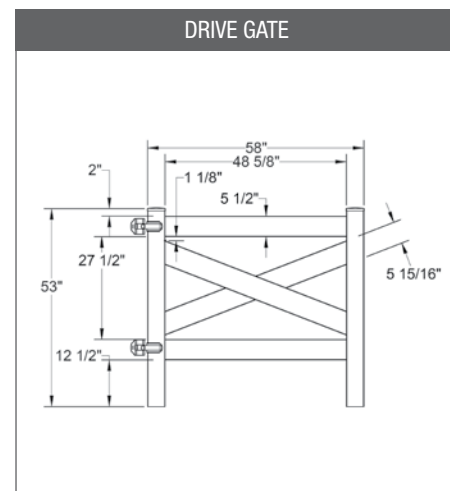
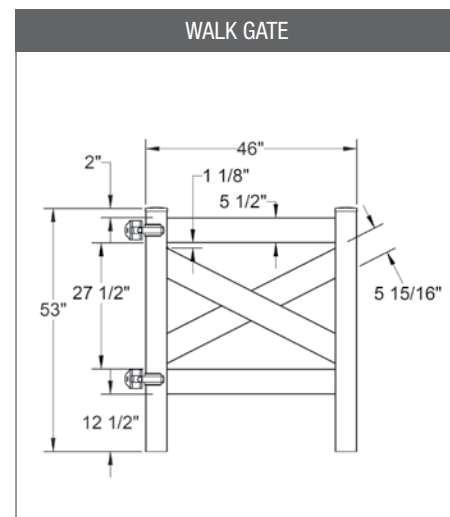
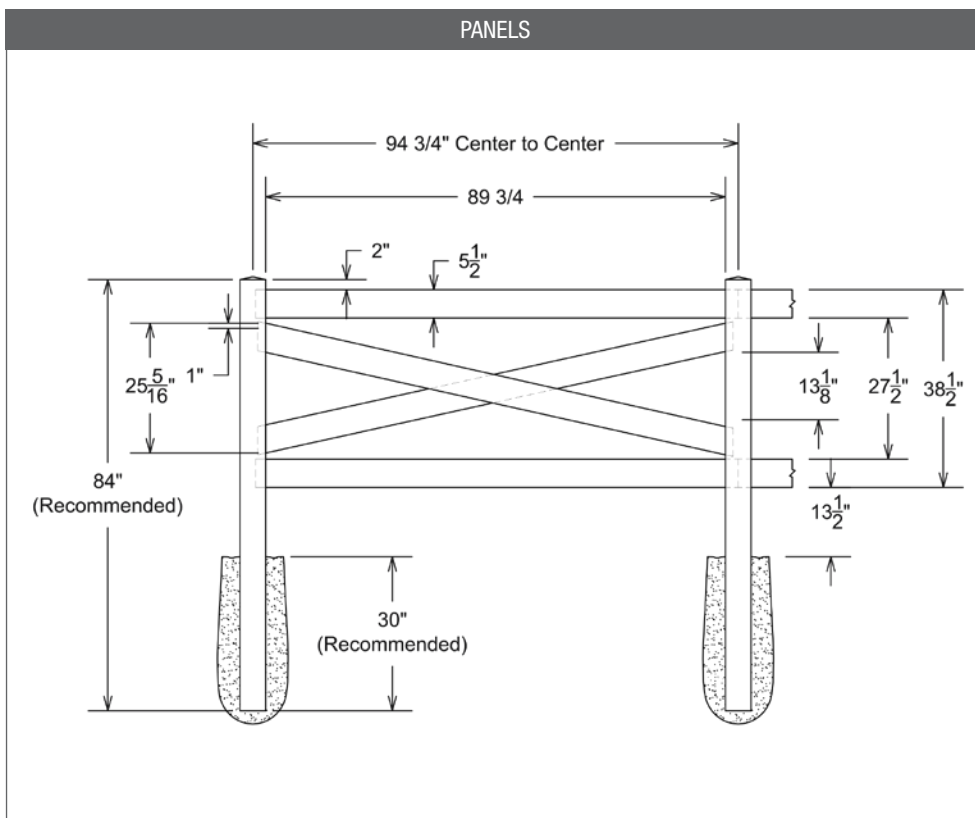
Rail Profile



CROSSBUCK RANCH RAIL 1½" X 5½" RAILS

| DESCRIPTION | White | | Sand | |
|---------------------------------------|----------|-----|----------|-----|
| | MFG# | QTY | MFG# | QTY |
| 1½" x 5½" x 96" Crossbuck | 73012399 | | 73012400 | |
| 5" x 5" x 84" Line Post (.135 wall) | 73010926 | | 73010932 | |
| 5" x 5" x 84" Corner Post (.135 wall) | 73010927 | | 73010933 | |
| 5" x 5" x 84" End Post (.135 wall) | 73010928 | | 73010934 | |
| 5" x 5" Pyramid Post Cap | 73003093 | | 73003769 | |
| 5" x 5" Internal Post Cap | 73007092 | | 73007093 | |
| 5" x 5" New England Post Cap | 73045003 | | 73045004 | |
| 46" Crossbuck Walk Gate | 73024381 | | 73024382 | |
| 58" Crossbuck Drive Gate | 73024384 | | 73024385 | |

Four rails needed per section
Heavy-Duty Contemporary Wrap Hinges included



| HARDWARE | Black |
|--|----------|
| | SKU |
| Heavy-Duty Contemporary Wrap Hinge | 73014300 |
| Gate Handle | 73014320 |
| Gate Stop | 73014321 |
| 24" Heavy-Duty Drop Rod | 73014305 |
| Locking Gravity Latch 2-Sided Key Access | 73050187 |
| 5" x 5" x 94" Gate Post Insert | 73012353 |

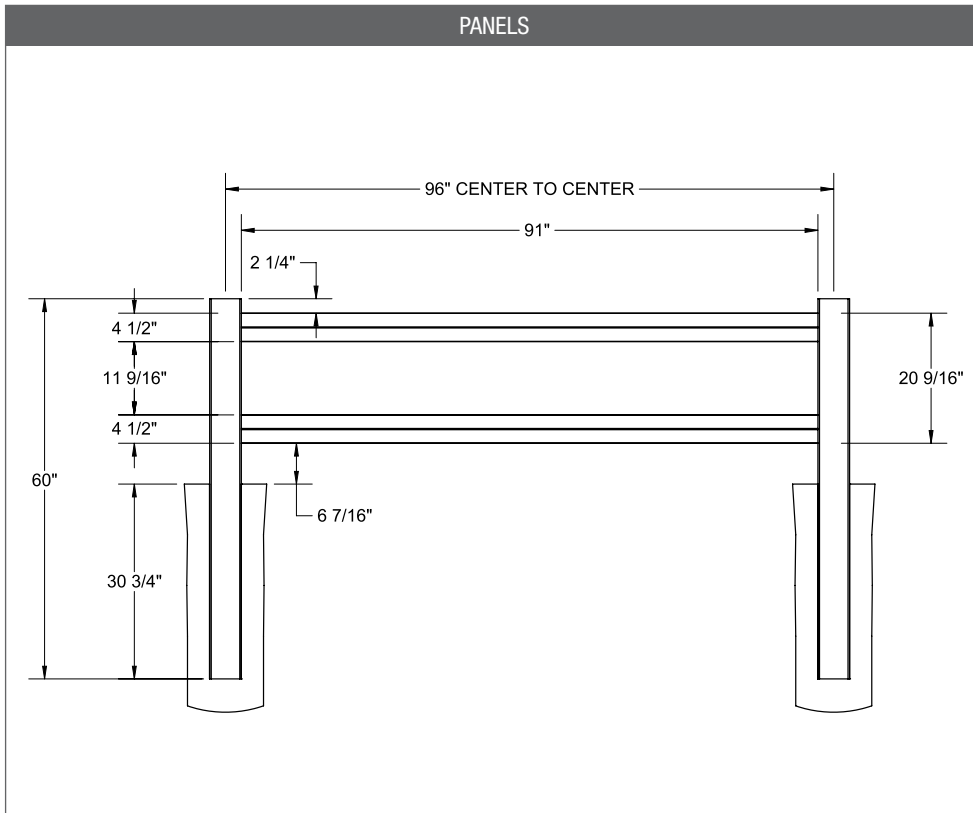


Rail Profile



2 RAIL DIAMOND POST AND RAIL 3/4" X 3/4" RAILS

| DESCRIPTION | White | |
|--------------------------------|----------|-----|
| | MFG# | QTY |
| 3/4" x 3/4" x 96" Diamond Rail | 73045013 | |
| 5" x 5" x 60" Line Post | 73045014 | |
| 5" x 5" x 60" Corner Post | 73045015 | |
| 5" x 5" x 60" End Post | 73045016 | |
| 5" x 5" Pyramid Post Cap | 73003093 | |
| 5" x 5" Internal Post Cap | 73007092 | |
| 5" x 5" New England Post Cap | 73045003 | |

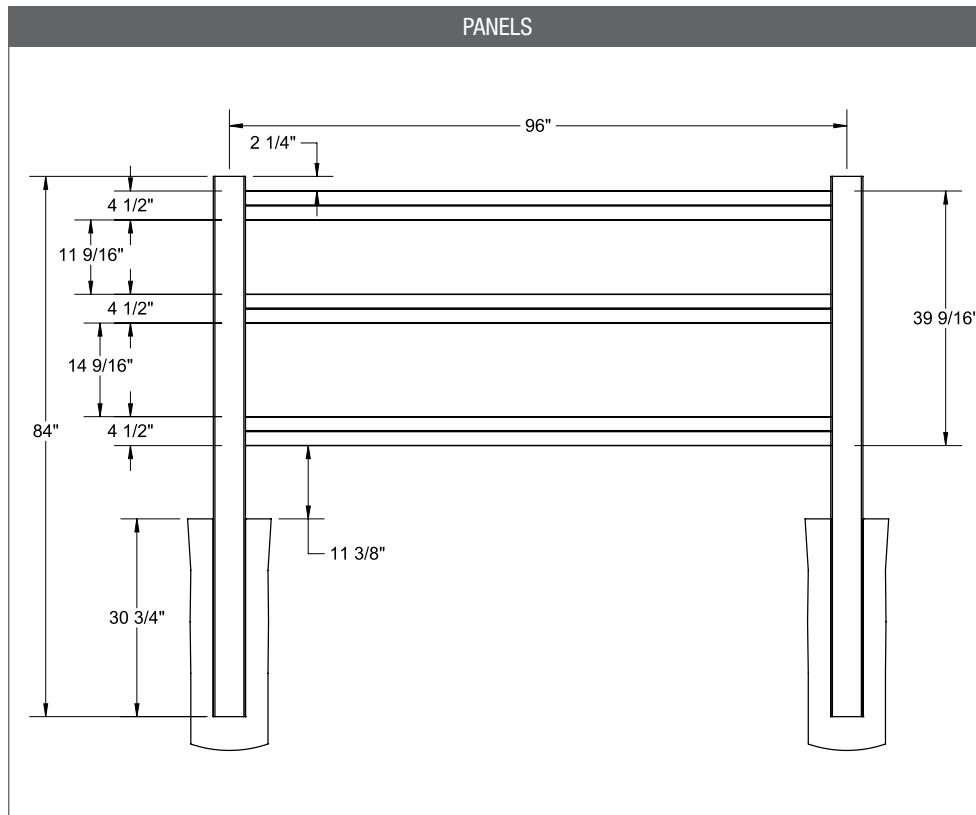


| HARDWARE | Black |
|--|----------|
| | SKU |
| Heavy-Duty Contemporary Wrap Hinge | 73014300 |
| Gate Handle | 73014320 |
| Gate Stop | 73014321 |
| 24" Heavy-Duty Drop Rod | 73014305 |
| Locking Gravity Latch 2-Sided Key Access | 73050187 |
| 5" x 5" x 58" Gate Post Insert | 73012352 |



3 RAIL DIAMOND POST AND RAIL 3/4" X 3/4" RAILS

| DESCRIPTION | White | |
|--------------------------------|----------|-----|
| | MFG# | QTY |
| 3/4" x 3/4" x 96" Diamond Rail | 73045013 | |
| 5" x 5" x 84" Line Post | 73045017 | |
| 5" x 5" x 84" Corner Post | 73045018 | |
| 5" x 5" x 84" End Post | 73045019 | |
| 5" x 5" Pyramid Post Cap | 73003093 | |
| 5" x 5" Internal Post Cap | 73007092 | |
| 5" x 5" New England Post Cap | 73045003 | |

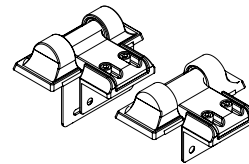


| HARDWARE | Black |
|--|----------|
| | SKU |
| Heavy-Duty Contemporary Wrap Hinge | 73014300 |
| Gate Handle | 73014320 |
| Gate Stop | 73014321 |
| 24" Heavy-Duty Drop Rod | 73014305 |
| Locking Gravity Latch 2-Sided Key Access | 73050187 |
| 5" x 5" x 82" Gate Post Insert | 73003718 |

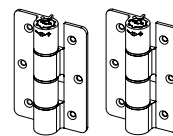


GATE HARDWARE

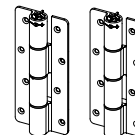
| DESCRIPTION | Black | | White | |
|--|----------|-----|----------|-----|
| | MFG# | QTY | MFG# | QTY |
| HINGES | | | | |
| Standard Wrap Hinge | 73028117 | | 73025512 | |
| Standard Wrap Hinge Pair (Stainless Steel) | 73014252 | | N/A | |
| Standard Butterfly Hinge | 73025681 | | 73025673 | |
| Heavy-Duty Butterfly Hinge | 73025668 | | 73025670 | |
| Heavy-Duty Contemporary Hinge | 73014300 | | 73025542 | |
| Heavy-Duty Contemporary Hinge Pair (Stainless Steel) | 73014250 | | 73025521 | |
| Heavy-Duty Modern Hinge | 73014301 | | 73025523 | |
| Standard Walk Gate Strap Hinge | 73023172 | | 73002181 | |
| Heavy-Duty Drive Gate Strap Hinge | 73014322 | | 73014323 | |
| Compact Butterfly Hinge — 1" or Higher Upright | 73024441 | | N/A | |
| Compact Butterfly Hinge — 1" Upright | 73025667 | | N/A | |
| Compact Polymer Butterfly Hinge | 73024445 | | N/A | |
| DROP RODS | | | | |
| Standard Drop Rod — 36" | 73014303 | | 73014304 | |
| Heavy-Duty Drop Rod — 24" | 73014305 | | 73014306 | |
| Heavy-Duty Drop Rod — 36" | 73024430 | | N/A | |
| Heavy-Duty Drop Rod — 48" | 73025499 | | 73025500 | |
| Heavy-Duty Drop Rod — 24" Stainless Steel | 73024431 | | N/A | |
| Heavy-Duty Drop Rod — 36" Stainless Steel | 73024432 | | N/A | |
| Heavy-Duty Drop Rod — 48" Stainless Steel | 73025503 | | 73025504 | |
| ACCESSORIES | | | | |
| Gate Handle | 73014320 | | N/A | |
| Gate Stop | 73014321 | | 73025508 | |
| EZ Grip Gate Handle | 73024421 | | 73004735 | |
| LATCHES | | | | |
| Gravity Latch | 73002252 | | 73025491 | |
| Gravity Latch Stainless Steel | 73014251 | | N/A | |
| Decorative Gravity Latch | 73050190 | | N/A | |
| Standard Gate Latch | 73023772 | | 73002183 | |
| Heavy-Duty Gate Latch (Stainless Steel) | 73041359 | | N/A | |
| Heavy-Duty Gate Latch | 73002218 | | 73002219 | |
| Locking Gravity Latch with 1-Sided Key Entry | 73050184 | | N/A | |
| Locking Gravity Latch with 2-Sided Key Entry/Push Button | 73050187 | | 73050188 | |
| Locking Pool Safety Latch | 73050191 | | N/A | |
| Compact Locking Pool Safety Latch | 73050192 | | N/A | |
| Flip Latch | 73024426 | | N/A | |
| Flip Latch (Stainless Steel) | 73024427 | | N/A | |
| Slide Bar Latch | 73024428 | | N/A | |
| Slide Bar Latch (Stainless Steel) | 73024429 | | N/A | |



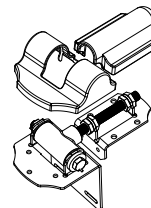
Standard Wrap Hinge



Standard Butterfly Hinge

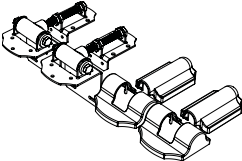


Heavy-Duty Butterfly Hinge

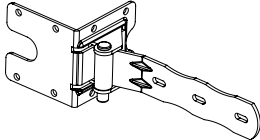


Heavy-Duty Contemporary Hinge Pair

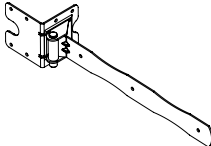
NOTE: All gates come standard with wrap hinges included. Gate hardware and extras can be used for all series fences.



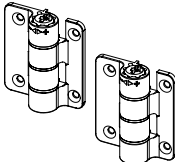
Heavy-Duty Modern Gate Hinge Pair



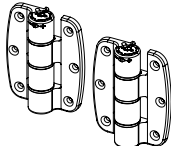
Standard Walk Gate Strap Hinge



Heavy-Duty Drive Gate Strap Hinge



Compact Aluminum Butterfly Hinge



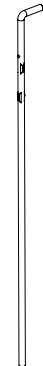
Compact Polymer Butterfly Hinge



36" Standard Drop Rod



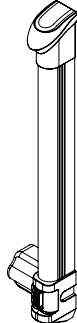
24" Heavy-Duty Drop Rod



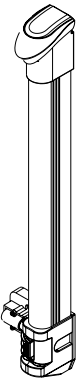
36" Heavy-Duty Drop Rod



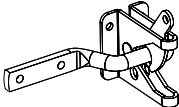
48" Heavy-Duty Drop Rod



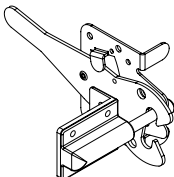
Compact Locking Pool Safety Latch



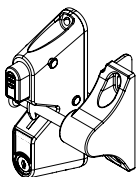
Locking Pool Safety Latch



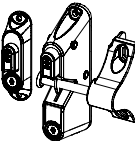
Gravity Latch



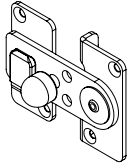
Heavy-Duty Gate Latch



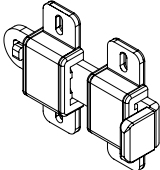
Locking Gravity Latch with 1-sided Key Entry



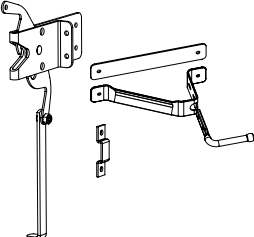
Locking Gravity Latch with 2-sided Key Entry/ Push Button



Flip Latch



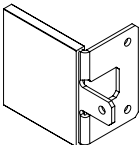
Slide Bar Latch



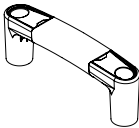
Standard Gate Latch



Gate Handle



Gate Stop



EZ Grip Gate Handle

POSTS & INSERTS

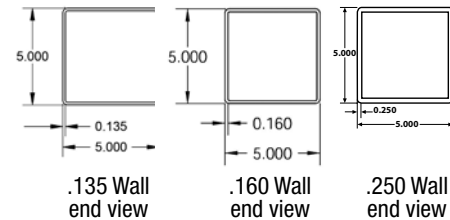
POSTS

| DESCRIPTION | White | | Sand | | Clay | | Gray | |
|----------------------------------|----------|-----|----------|-----|----------|-----|----------|-----|
| | MFG# | QTY | MFG# | QTY | MFG# | QTY | MFG# | QTY |
| 4" x 4" x 72" Post (.100 wall) | 73014067 | | 73014066 | | 73054311 | | 73055415 | |
| 4" x 4" x 194½" Post (.100 wall) | 73051590 | | 73051581 | | 73051555 | | 73051578 | |

BLANK POSTS

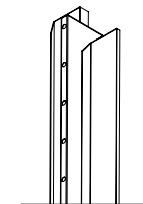
| DESCRIPTION | White | | Sand | | Clay | | Gray | |
|---------------------------------------|----------|-----|----------|-----|----------|-----|----------|-----|
| | MFG# | QTY | MFG# | QTY | MFG# | QTY | MFG# | QTY |
| 5" x 5" x 60" Blank Post (.135 Wall) | 73051998 | | 73051992 | | 73054314 | | N/A | |
| 5" x 5" x 84" Blank Post (.135 Wall) | 73003872 | | 73051997 | | 73054974 | | 73055418 | |
| 5" x 5" x 96" Blank Post (.135 Wall) | 73003873 | | 73051668 | | 73051631 | | 73051656 | |
| 5" x 5" x 102" Blank Post (.135 Wall) | 73003694 | | 73014148 | | 73054315 | | 73055420 | |
| 5" x 5" x 108" Blank Post (.135 Wall) | 73003874 | | 73051659 | | 73051619 | | 73051646 | |

| DESCRIPTION | Cypress | | Driftwood | |
|---------------------------------------|----------|-----|-----------|-----|
| | MFG# | QTY | MFG# | QTY |
| 5" x 5" x 60" Blank Post (.135 Wall) | N/A | | N/A | |
| 5" x 5" x 84" Blank Post (.135 Wall) | N/A | | N/A | |
| 5" x 5" x 96" Blank Post (.135 Wall) | N/A | | N/A | |
| 5" x 5" x 102" Blank Post (.135 Wall) | N/A | | N/A | |
| 5" x 5" x 108" Blank Post (.135 Wall) | 73013858 | | 73042814 | |

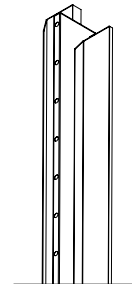


GATE POST INSERTS

| DESCRIPTION | Aluminum | |
|---------------------------------|----------|-----|
| | MFG# | QTY |
| 4" x 4" x 58" Gate Post Insert | 73014646 | |
| 5" x 5" x 58" Gate Post Insert | 73012352 | |
| 5" x 5" x 82" Gate Post Insert | 73003718 | |
| 5" x 5" x 94" Gate Post Insert | 73012353 | |
| 5" x 5" x 100" Gate Post Insert | 73040719 | |
| 5" x 5" x 106" Gate Post Insert | 73041348 | |



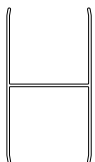
5" x 5" x 82"
Gate Post Insert



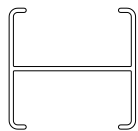
5" x 5" x 106"
Gate Post Insert

RAIL INSERTS

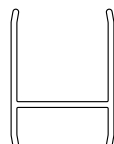
| DESCRIPTION | Aluminum | |
|----------------------------------|----------|-----|
| | MFG# | QTY |
| 2" x 3½" x 93" Rail Post Insert | 73003318 | |
| 2" x 6" x 93" Rail Post Insert | 73012643 | |
| 1½" x 5½" x 93" Rail Post Insert | 73003717 | |
| 1¾" x 5½" x 70" Rail Post Insert | 73003718 | |
| 1¾" x 5½" x 93" Rail Post Insert | 73007058 | |



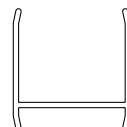
2" x 3½" x 93"
Rail Post Insert



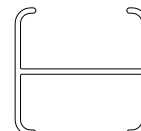
2" x 6" x 93"
Rail Post Insert



1½" x 5½" x 93"
Rail Post Insert



1¾" x 5½" x 70"
Rail Post Insert

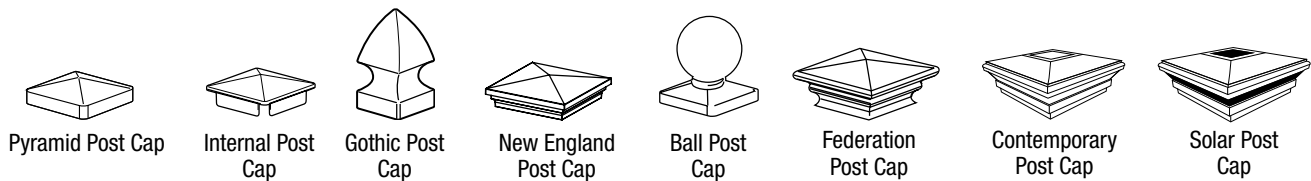


1¾" x 5½" x 93"
Rail Post Insert

| DESCRIPTION | White | | Sand | | Clay | | Gray | |
|-------------------------------|----------|-----|----------|-----|----------|-----|----------|-----|
| | MFG# | QTY | MFG# | QTY | MFG# | QTY | MFG# | QTY |
| 5" x 5" Pyramid Post Cap | 73003093 | | 73003769 | | 73054107 | | 73053068 | |
| 5" x 5" Internal Post Cap | 73007092 | | 73007093 | | 73024884 | | N/A | |
| 5" x 5" New England Post Cap | 73045003 | | 73045004 | | 73054108 | | 73053093 | |
| 5" x 5" Gothic Post Cap | 73003094 | | 73003760 | | 73024885 | | N/A | |
| 5" x 5" Ball Post Cap | 73007099 | | 73007100 | | 73040213 | | N/A | |
| 5" x 5" Federation Post Cap | 73003721 | | 73003762 | | 73040215 | | N/A | |
| 5" x 5" Contemporary Post Cap | 73013124 | | 73013807 | | 73024887 | | N/A | |
| 5" x 5" Solar Post Cap | 73013110 | | 73025652 | | N/A | | N/A | |
| 6" x 6" Pyramid Post Cap | 73054353 | | 73054354 | | N/A | | N/A | |
| 6" x 6" New England Post Cap | 73054355 | | 73054356 | | N/A | | N/A | |

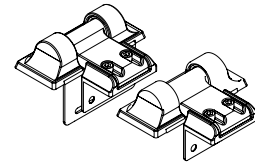
| DESCRIPTION | Cypress | | Driftwood | |
|-------------------------------|----------|-----|-----------|-----|
| | MFG# | QTY | MFG# | QTY |
| 5" x 5" Pyramid Post Cap | 73013829 | | 73042811 | |
| 5" x 5" Internal Post Cap | 73013827 | | 73042812 | |
| 5" x 5" New England Post Cap | 73045007 | | 73045008 | |
| 5" x 5" Gothic Post Cap | N/A | | N/A | |
| 5" x 5" Ball Post Cap | N/A | | N/A | |
| 5" x 5" Federation Post Cap | N/A | | N/A | |
| 5" x 5" Contemporary Post Cap | 73013836 | | N/A | |
| 5" x 5" Solar Post Cap | N/A | | N/A | |
| 6" x 6" Pyramid Post Cap | N/A | | N/A | |
| 6" x 6" New England Post Cap | N/A | | N/A | |

| DESCRIPTION | Coastal Cedar | | Weathered Aspen | | Mesquite | |
|-------------------------------|---------------|-----|-----------------|-----|----------|-----|
| | MFG# | QTY | MFG# | QTY | MFG# | QTY |
| 5" x 5" Pyramid Post Cap | 73053064 | | 73053069 | | 73053065 | |
| 5" x 5" Internal Post Cap | N/A | | N/A | | N/A | |
| 5" x 5" New England Post Cap | 73053088 | | 73053094 | | 73053091 | |
| 5" x 5" Gothic Post Cap | N/A | | N/A | | N/A | |
| 5" x 5" Ball Post Cap | N/A | | N/A | | N/A | |
| 5" x 5" Federation Post Cap | N/A | | N/A | | N/A | |
| 5" x 5" Contemporary Post Cap | N/A | | N/A | | N/A | |
| 5" x 5" Solar Post Cap | N/A | | N/A | | N/A | |
| 6" x 6" Pyramid Post Cap | N/A | | N/A | | N/A | |
| 6" x 6" New England Post Cap | N/A | | N/A | | N/A | |

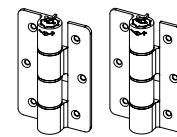


DROP RODS • HINGES • HANDLES

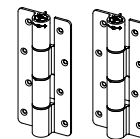
| DESCRIPTION | Black | | White | |
|--|-------|----------|-------|----------|
| | QTY | MFG# | QTY | MFG# |
| HINGES | | | | |
| Standard Wrap Hinge | | 73028117 | | 73025512 |
| Standard Wrap Hinge Pair (Stainless Steel) | | 73014252 | | N/A |
| Standard Butterfly Hinge | | 73025681 | | 73025673 |
| Heavy-Duty Butterfly Hinge | | 73025668 | | 73025670 |
| Heavy-Duty Contemporary Hinge | | 73014300 | | 73025542 |
| Heavy-Duty Contemporary Hinge Pair (Stainless Steel) | | 73014250 | | 73025521 |
| Heavy-Duty Modern Hinge | | 73014301 | | 73025523 |
| Standard Walk Gate Strap Hinge | | 73023172 | | 73002181 |
| Heavy-Duty Drive Gate Strap Hinge | | 73014322 | | 73014323 |
| Compact Butterfly Hinge — 1" or Higher Upright | | 73024441 | | N/A |
| Compact Butterfly Hinge — 1" Upright | | 73025667 | | N/A |
| Compact Polymer Butterfly Hinge | | 73024445 | | N/A |
| DROP RODS | | | | |
| Standard Drop Rod — 36" | | 73014303 | | 73014304 |
| Heavy-Duty Drop Rod — 24" | | 73014305 | | 73014306 |
| Heavy-Duty Drop Rod — 36" | | 73024430 | | N/A |
| Heavy-Duty Drop Rod — 48" | | 73025499 | | 73025500 |
| Heavy-Duty Drop Rod — 24" Stainless Steel | | 73024431 | | N/A |
| Heavy-Duty Drop Rod — 36" Stainless Steel | | 73024432 | | N/A |
| Heavy-Duty Drop Rod — 48" Stainless Steel | | 73025503 | | 73025504 |
| ACCESSORIES | | | | |
| Gate Handle | | 73014320 | | N/A |
| Gate Stop | | 73014321 | | 73025508 |
| EZ Grip Gate Handle | | 73024421 | | 73004735 |
| LATCHES | | | | |
| Gravity Latch | | 73002252 | | 73025491 |
| Gravity Latch Stainless Steel | | 73014251 | | N/A |
| Decorative Gravity Latch | | 73050190 | | N/A |
| Standard Gate Latch | | 73023772 | | 73002183 |
| Heavy-Duty Gate Latch (Stainless Steel) | | 73041359 | | N/A |
| Heavy-Duty Gate Latch | | 73002218 | | 73002219 |
| Locking Gravity Latch with 1-Sided Key Entry | | 73050184 | | N/A |
| Locking Gravity Latch with 2-Sided Key Entry/Push Button | | 73050187 | | 73050188 |
| Locking Pool Safety Latch | | 73050191 | | N/A |
| Compact Locking Pool Safety Latch | | 73050192 | | N/A |
| Flip Latch | | 73024426 | | N/A |
| Flip Latch (Stainless Steel) | | 73024427 | | N/A |
| Slide Bar Latch | | 73024428 | | N/A |
| Slide Bar Latch (Stainless Steel) | | 73024429 | | N/A |



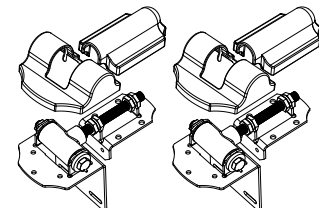
Standard Wrap Hinge



Standard Butterfly Hinge

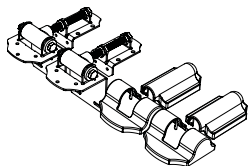


Heavy-Duty Butterfly Hinge

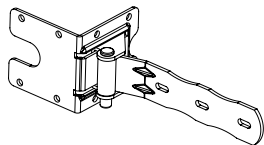


Heavy-Duty Contemporary Hinge Pair

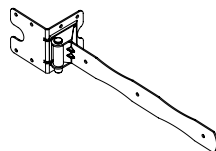
NOTE: All gates come standard with wrap hinges included. Gate hardware and extras can be used for all series fences.



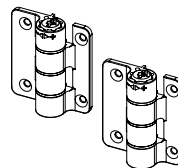
Heavy-Duty Modern Gate Hinge Pair



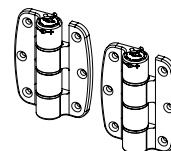
Standard Walk Gate Strap Hinge



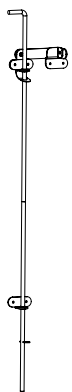
Heavy-Duty Drive Gate Strap Hinge



Compact Aluminum Butterfly Hinge



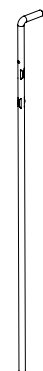
Compact Polymer Butterfly Hinge



36" Standard Drop Rod



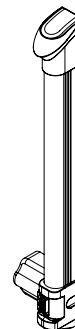
24" Heavy-Duty Drop Rod



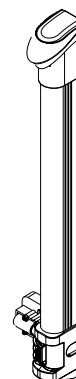
36" Heavy-Duty Drop Rod



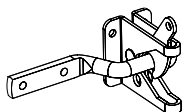
48" Heavy-Duty Drop Rod



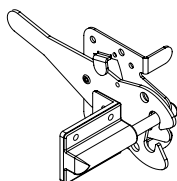
Compact Locking Pool Safety Latch



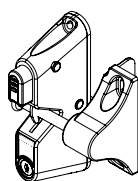
Locking Pool Safety Latch



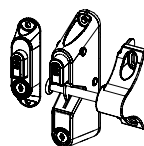
Gravity Latch



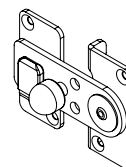
Heavy-Duty Gate Latch



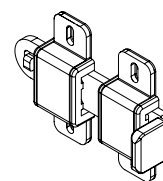
Locking Gravity Latch with 1-sided Key Entry



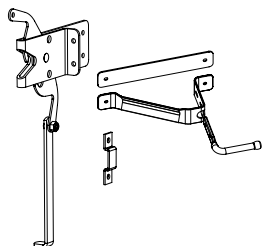
Locking Gravity Latch with 2-sided Key Entry/Push Button



Flip Latch



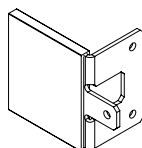
Slide Bar Latch



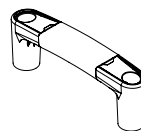
Standard Gate Latch



Gate Handle



Gate Stop



EZ Grip Gate Handle

VINYL FENCE — TRANSFERABLE LIMITED LIFETIME WARRANTY

WHO IS COVERED:

- The limited lifetime warranty covers single-family residential properties only. This limited warranty extends to the original purchaser and one (1) individual transferee as specified herein.
- A thirty (30) year limited warranty covers any other type of building or property including those owned by corporations, governmental agencies, partnerships, trusts, religious organizations, schools, condominiums, homeowner associations, cooperative housing arrangements and apartment buildings. The warranty period will be thirty (30) years following the original date of Product purchase.

WHAT IS COVERED: Barrette Outdoor Living warrants that its vinyl fencing products ("Product") will be free from defects in material and workmanship for the warranty period. This limited warranty is valid beginning on the date of Product purchase.

Barrette Outdoor Living warrants the Product against peeling, flaking, rotting, chipping, cracking, blistering, or abnormal discoloration/fading* under normal atmosphere and weather conditions.

**After prolonged exposure to outdoor environments, all products will experience some gradual fading over time and is considered normal (up to a standard variation determined by Delta E color measurement, not to exceed Delta 5). Degrees of fading vary depending on geographical location, air pollution, exposure and other factors.*

WHAT THIS WARRANTY DOES NOT COVER: This limited warranty will not cover a change in color due to a buildup of accumulation of stains, dirt, mold, mildew or any other deficiency caused by lack of any maintenance by the owner. This limited warranty does not cover damage resulting from: misuse, abuse, improper storage or handling, improper installation, other vinyl products and accessories not manufactured by Barrette Outdoor Living, or manufactured for specific use in vinyl fence applications; impact of foreign objects, fire, earthquake, flood, lightning, hail, hurricane, tornado or other casualty or act of God; movements, distortion, collapse or settling of ground or structure on which the fence is installed; distortion or melting due to external heat sources; fence that has been painted, varnished, or coated over manufacturer's finish. This limited warranty does not cover costs of removal or disposal of product, or reinstallation of replacement product.

WHAT BARRETTE OUTDOOR LIVING DOES TO REMEDY THE PROBLEM: Should your Barrette Outdoor Living product prove defective under warranty, visit the website or call the phone number listed below. Barrette Outdoor Living requires written notice or phone call within thirty (30) days of discovering the defect and you must show original proof of purchase receipt. You will be required to provide to Barrette Outdoor Living pictures and/or samples of the defective Product. If it is determined by Barrette Outdoor Living, in its sole discretion, the Product has a manufacturer defect in material or workmanship, Barrette Outdoor Living will replace or repair with new or equivalent products; labor is not included in warranty. If the Product is discontinued, Barrette Outdoor Living will repair or replace the Product with a product in comparable quality or price range.

Barrette Outdoor Living reserves the right to discontinue or modify any of its products, including the color of its products

without notice to the purchaser. Barrette Outdoor Living does not warrant that any replacement material will match or be identical to the original Product as replacement products may vary in color or gloss in comparison to the original Product as a result of normal weathering.

TRANSFEREE COVERAGE: Limited lifetime warranty coverage will be extended to one (1) transferee with the following limitations: the one (1) transfer shall only be from residential homeowner (original Product purchaser) to a second homeowner. After a transfer, the warranty is valid thirty (30) years from the date of the original purchase.

The thirty (30) year limited warranty for commercial installations cannot be transferred.

REGISTRATION: To activate this warranty, fill out the product registration form on the website listed below, or mail the completed registration card to Barrette Outdoor Living. Registration of Product must be within thirty (30) days from date of Product purchase for warranty to be valid.

Except as expressly set forth in this warranty, Barrette Outdoor Living HEREBY EXPRESSLY DISCLAIMS ANY REPRESENTATION, WARRANTY, PROMISE, GUARANTEE OR OTHER ASSURANCE OF ANY KIND, EXPRESS OR IMPLIED, ORAL OR WRITTEN, STATUTORY OR OTHERWISE, RELATING TO THE PRODUCT. STATE LAW WILL DETERMINE THE PERIOD OF TIME FOLLOWING THE SALE THAT YOU MAY SEEK A REMEDY UNDER THE IMPLIED WARRANTY OF MERCHANTABILITY OR FITNESS FOR A PARTICULAR PURPOSE.

NO DISTRIBUTOR, DEALER OR OTHER PERSON IS AUTHORIZED BY BARRETTE OUTDOOR LIVING TO CHANGE THIS WARRANTY OR TO MAKE ANY ADDITIONAL REPRESENTATION, WARRANTY, PROMISE, GUARANTEE OR OTHER ASSURANCE ON BEHALF OF BARRETTE OUTDOOR LIVING RELATING TO THE PRODUCT. THIS WARRANTY GIVES YOU SPECIFIC LEGAL RIGHTS, AND YOU MAY ALSO HAVE OTHER RIGHTS WHICH VARY STATE TO STATE.

LIMITATION OF LIABILITY: THE REMEDIES DESCRIBED ABOVE ARE YOUR SOLE AND EXCLUSIVE REMEDIES AND BARRETTE OUTDOOR LIVING'S ENTIRE LIABILITY FOR ANY BREACH OF THIS LIMITED WARRANTY. BARRETTE OUTDOOR LIVING'S LIABILITY SHALL UNDER NO CIRCUMSTANCES EXCEED THE ACTUAL AMOUNT PAID BY YOU FOR THE DEFECTIVE PRODUCT, NOR SHALL BARRETTE OUTDOOR LIVING BE LIABLE FOR ANY CONSEQUENTIAL, INCIDENTAL, SPECIAL OR PUNITIVE DAMAGES OR LOSSES, WHETHER DIRECT OR INDIRECT. SOME STATES DO NOT ALLOW THE EXCLUSION OR LIMITATION OF INCIDENTAL OR CONSEQUENTIAL DAMAGES, SO THE ABOVE LIMITATION OR EXCLUSION MAY NOT APPLY TO YOU.

THIS WARRANTY IS VALID ONLY IN THE UNITED STATES AND CANADA.

This warranty is effective for products purchased after January 1, 2021.

This warranty can also be found online at:
www.BarretteOutdoorLiving.com

In case of a warranty claim, call 1-800-336-2383

HARDWARE — LIMITED LIFETIME WARRANTY

WHO IS COVERED: The limited lifetime warranty covers residential and commercial properties. This limited warranty extends to the original purchaser and one (1) transferee as specified herein.

WHAT IS COVERED: Barrette Outdoor Living warrants that its hardware products ("Product") will be free from defects in design, material and workmanship for the warranty period. This limited warranty is valid beginning on the date of Product purchase.

WHAT THIS WARRANTY DOES NOT COVER: This limited warranty will not cover normal wear and tear; failure to follow any procedures specified or recommended by Barrette Outdoor Living for the installation, operation and maintenance of the Product; any act or circumstance beyond Barrette Outdoor Living's control including tampering, unauthorized repairs, misuse, abnormal use, abuse, accident, damage after delivery to the consumer, damage caused by events beyond human control including but not limited to damage caused by animals or natural events, surface tarnishing and/or damage to components caused by corrosion or other environmental conditions; any defect of or in any framework or material supporting the Product; faulty workmanship of any person other than Barrette Outdoor Living, including the installer of the Product. This limited warranty does not cover costs of removal or disposal of product, or reinstallation of replacement product. Any service provided outside the scope of this limited warranty shall be at Barrette Outdoor Living's standard rate and terms then in effect.

WHAT BARRETTE OUTDOOR LIVING DOES TO REMEDY THE PROBLEM: Should your Barrette Outdoor Living Product prove defective under warranty, visit the website or call the phone number listed below. Barrette Outdoor Living requires written notice or phone call within thirty (30) days of discovering the defect and you must show original proof of purchase receipt. You will be required to provide to Barrette Outdoor Living pictures and/or samples of the defective Product. If it is determined by Barrette Outdoor Living, in its sole discretion, the Product has a manufacturer defect in material or workmanship, Barrette Outdoor Living will replace or repair with new or equivalent products; labor is not included in warranty. If the Product is discontinued, Barrette Outdoor Living will repair or replace the Product with a product in comparable quality or price range.

Barrette Outdoor Living reserves the right to discontinue or modify any of its products, including the color of its products without notice to the purchaser. Barrette Outdoor Living does not warrant that any replacement material will match or be identical to the original Product as replacement products may vary in color or gloss in comparison to the original Product as a result of normal weathering.

Except as expressly set forth in this warranty, Barrette Outdoor Living HEREBY EXPRESSLY DISCLAIMS ANY REPRESENTATION, WARRANTY, PROMISE, GUARANTEE OR OTHER ASSURANCE OF ANY KIND, EXPRESS OR IMPLIED, ORAL OR WRITTEN, STATUTORY OR OTHERWISE, RELATING TO THE PRODUCT. STATE LAW WILL DETERMINE THE PERIOD OF TIME FOLLOWING THE SALE THAT YOU MAY SEEK A REMEDY UNDER THE IMPLIED WARRANTY OF MERCHANTABILITY OR FITNESS FOR A PARTICULAR PURPOSE.

NO DISTRIBUTOR, DEALER OR OTHER PERSON IS AUTHORIZED BY BARRETTE OUTDOOR LIVING TO CHANGE THIS WARRANTY OR TO MAKE ANY ADDITIONAL REPRESENTATION, WARRANTY, PROMISE, GUARANTEE OR OTHER ASSURANCE ON BEHALF OF BARRETTE OUTDOOR LIVING RELATING TO THE PRODUCT. THIS WARRANTY GIVES YOU SPECIFIC LEGAL RIGHTS, AND YOU MAY ALSO HAVE OTHER RIGHTS WHICH VARY STATE TO STATE.

LIMITATION OF LIABILITY: THE REMEDIES DESCRIBED ABOVE ARE YOUR SOLE AND EXCLUSIVE REMEDIES AND Barrette Outdoor Living'S ENTIRE LIABILITY FOR ANY BREACH OF THIS LIMITED WARRANTY. BARRETTE OUTDOOR LIVING'S LIABILITY SHALL UNDER NO Circumstances EXCEED THE ACTUAL AMOUNT PAID BY YOU FOR THE DEFECTIVE PRODUCT, NOR SHALL BARRETTE OUTDOOR LIVING BE LIABLE FOR ANY CONSEQUENTIAL, INCIDENTAL, SPECIAL OR PUNITIVE DAMAGES OR LOSSES, WHETHER DIRECT OR INDIRECT. SOME STATES DO NOT ALLOW THE EXCLUSION OR LIMITATION OF INCIDENTAL OR CONSEQUENTIAL DAMAGES, SO THE ABOVE LIMITATION OR EXCLUSION MAY NOT APPLY TO YOU.

THIS WARRANTY IS VALID ONLY IN THE UNITED STATES AND CANADA.

This warranty is effective for products purchased after January 1, 2021.

This warranty can also be found online at:
www.BarretteOutdoorLiving.com

In case of a warranty claim, call 1-800-336-2383

ORDERING + PAYMENT

ORDERING PROCESS

- All orders must be submitted in writing via email or fax. Orders will not be taken over the phone.
- You must reference the MFG #s provided in this catalog in your order.
- Upon receipt of an order, a confirmation will be sent back to you via email or fax, either the same or following business day with a request for final signature.
- Order will be released and lead time will begin upon receipt of signed order confirmation and credit approval. Any changes to an existing order, will reset the lead time for that order.
- To check order status please provide Barrette Outdoor Living order number, purchase order, or customer account number to your customer service representative.
- Orders are shipped prepaid, unless otherwise agreed in writing.

PAYMENT METHODS AND CREDIT

Sales Tax

Barrette Outdoor Living will charge state sales tax to all customers unless a current resale certificate is on file.

Credit Line Establishment and Standard Payment Terms

- In order to purchase Barrette Outdoor Living material all customers must complete a credit application. Upon approval, a line of credit and standard terms will be established.
- At Barrette Outdoor Living's discretion, existing credit lines will be reviewed periodically, which may involve completing additional credit application forms and/or submitting updated financials.
- Barrette Outdoor Living reserves the right, at its sole discretion, to suspend or terminate credit.

OTHER FORMS OF PAYMENT

Pay in Advance

Payment must be received before order processing can begin.

- Bank (Cashiers) Check: Made payable to Barrette Outdoor Living
- Company Check: If no prior arrangement has been made with Barrette Outdoor Living to establish credit and the Customer chooses to pay by company check, the check must be received by Barrette Outdoor Living and clear the bank (usually 3 to 5 business days) before order processing and lead time can begin.
- Electronic Wire Transfer
- Personal Check: Check must be received and clear the bank (usually 3 to 5 business days) before order processing can begin.
- Credit Card: All credit card orders are subject to include a 3.5% convenience fee.

WIRE TRANSFER/ACH BANKING INFORMATION

Barrette Outdoor Living's banking arrangements are with the BMO-Harris bank. Your payments should be directed to our accounts as follows:

INCOMING ACH AND INCOMING DOMESTIC WIRES (WITHIN THE USA):

Bank Name: Harris N.A., Chicago, Illinois
Bank Routing #: 071000288
Beneficiary Name: Barrette Outdoor Living, Inc.
Beneficiary Account #: 1814243

INCOMING INTERNATIONAL WIRES (OUTSIDE THE USA):

Bank Name: Harris N.A., Chicago, Illinois
Bank Routing #: 071000288
Swift Code: HATRUS44
Beneficiary Name: Barrette Outdoor Living, Inc.
7830 Freeway Circle
Middleburg Heights, Ohio 44130
Beneficiary Account #: 1814243

INCOMING CHECK PAYMENT MAILING ADDRESS:

Barrette Outdoor Living
PO Box 74732
Chicago, IL 60694-4732

Please confirm your payment and forward the confirmation to:

Credit.Collections@us.ebarrette.com

Please include "**Wire Transfer Payment**" or "**ACH Debit Payment**" and your customer name and number in the subject line.

TERMS

- Payment terms will be stated on each order confirmation and invoice.
- Barrette Outdoor Living reserves the right to withdraw or change amount of credit, require partial or full payment in advance and to change the terms of payment with respect to future orders.
- The calculations for discount are predicated on the date the customer's payment is received by Barrette Outdoor Living.
- Unauthorized deductions are not allowed. A "delinquency charge" will be assessed on any past due amounts owed to Barrette Outdoor Living, from the net due date. The delinquency charge will be calculated at prime lending rate + 2% per annum on the past due amounts until paid.

COLLECTIONS

In the event of credit default, the customer is responsible for all legal and other fees Barrette Outdoor Living may incur during the collection process.

PRICE AND PROGRAM CHANGES

In the event of a price change, all customers will be notified with at least 30 days prior notice. Program offering is subject to change without notice, although not expected.

CONDITIONS

All information contained in Terms of Sale is subject to change with 30 day written notice.

LEAD TIMES

Subject to plant shutdowns, truck availability and holidays.

If your scheduled ship date falls on a non-business day, it will be moved forward to the next business day.

Upon verification of credit standing, stock, and signed order confirmation, orders will ship in the following time frames.

Changes or Cancellations of Orders

Orders may only be revised or cancelled by the customer in writing and under the following circumstances:

- Made To Stock (MTS) Job Lot Orders cannot be changed or cancelled upon receipt of order confirmation.
- Made to Order (MTO) Job Lot Orders can only be changed or cancelled up until the time the order enters production.
- Lineal orders cannot be changed or cancelled once load is staged.

Contact your customer service representative for order status.

Note: Any changes to an existing order will reset the lead time for that order.

SHIPPING & HANDLING

Vinyl Fence Pallet/Package Details

- Each Barrette Outdoor Living vinyl kit is wrapped and banded in plastic to provide a protective barrier.
- Barrette Outdoor Living uses a high quality, two-way access pallet with oversized deck boards to protect shipments from forklift damage.
- Unbroken Full Units can be stacked.
- All routed posts will be bagged/wrapped.

FREIGHT

- Orders can be expedited at the customers' expense.
- For full truckload orders only, customers have the option of arranging their own transportation. If you would prefer this; please make sure your customer service representative knows when placing your order.
- Once the order confirmation is signed and returned to Barrette Outdoor Living, no changes can be made by customer in regards to freight.

DAMAGE/SHORTAGE CLAIMS

Upon receiving order, the customer is responsible for accurately counting and signing the Bill of Lading for number of boxes and pallets received and specific condition in which order was received. The customer must sign Bill of Lading "Subject to Inspection" if there are any signs of rips, tears or breakage to the wrapping, packages or pallets.

If paperwork is not signed for properly, and damages are found at a later date, the customer may be charged for replacement as Barrette Outdoor Living can only file a claim if signed as possible damages.

All shipments delivered to the customer from Barrette Outdoor Living shall be deemed to have been received by the customer in good condition unless the customer notes on Bill of Lading and advises their Barrette Outdoor Living customer service representative otherwise as soon as possible.

The customer is liable for any loss of or damage to goods accepted by the customer or its representatives except for loss or damage mentioned on the bill of lading, upon receiving.

In the event a shortage or damage is found, a replacement order will be expedited or credited at Barrette Outdoor Living's discretion. Photographs of damaged items must be submitted for product to be considered for replacement or credit. If possible damage is noted, product must be held for approximately 60-90 days for carrier to pick up at their discretion.

EXPEDITE POLICY

- Orders can be expedited at the request and expense of the customer.
- Replacement orders for damages or shortages will be completed and shipped within three (3) business days.

RETURN POLICY

Returns will only be considered at no charge to the customer if there is an issue related to the material concerning its condition thereby defined as defective or incorrect material. Authorized returns will only be made under the following circumstances:

- a. Barrette Outdoor Living delivered defective material; or
- b. Barrette Outdoor Living delivered wrong material.

In the event that defective or wrong material was shipped to the customer, the customer can return material to Barrette Outdoor Living under the following process:

- a. The customer must contact their customer service representative to obtain a Return Goods Authorization (RGA) number within 30 days of receipt of shipment. This number must be included on all paperwork, boxes, and pallets.
- b. Barrette Outdoor Living will pay return shipping costs. Barrette Outdoor Living reserves the right and will assign the freight carrier of their choice. All returned materials must arrive at the point of return designated by Barrette Outdoor Living. If a freight carrier is used other than those specified by Barrette Outdoor Living or the shipment is returned to an undesignated location, the customer will be charged and shall accept to pay any additional freight charges incurred by Barrette Outdoor Living.
- c. Product must be returned in original condition as received. The customer acknowledges that Barrette Outdoor Living reserves the right and will inspect all returned items to ensure product is in its original condition prior to approving or issuing any credit.
- d. A 25% restocking fee and return freight fee will be charged back to the customer for items that are returned due to customer order error.

VINYL FENCE WIND CODE

Stamped engineering drawings can be obtained through your Barrette Outdoor Living representative.



POOL CODE APPROVED

Certain styles of Barrette Outdoor Living vinyl fences are pool code approved at the national level. Please note that codes not only vary by state, but also by locality. Our pool code products may not meet your local pool code requirements. Be sure to check the codes in your area before ordering.



National Fence Specifications

Panel Specifications:

- Fence panel must be at least 48" tall
- Distance from the top of the bottom rail to the top of the next highest rail must be at least 45"
- Spacing between pickets must be less than 4"
- Space from the bottom of the bottom rail to the ground must be less than 4"

Gate Specifications:

- Must have self-closing hinges
- Must have self-closing latches
- Need to open out (away from pool area)
- Opening mechanism of the latch must be at least 54" above the ground
- Must not use a cross brace on gates

INSTALLATION

Please see full installation instructions available in product packaging.

CARE AND MAINTENANCE

Vinyl Fence Cleaning

- Most dirt can be washed off with a mild soap and water solution.
- Heavier stains can be cleaned with any non-toxic household cleaner.

How Do I Clean My Vinyl Fence?

- On occasion you may want to spray your fence with a garden hose. This will remove grass clippings, dirt and fertilizer chemicals and keep it looking as new as possible.
- To remove minor stains use a non-abrasive liquid cleaner.
- For removal of major stains follow the manufacturer's directions for one of the following cleaning agents:
 - Simple Green® All Purpose Cleaner
 - Mr. Clean® Magic Eraser
 - Mineral Spirits
 - Trichloroethylene
 - CLR (Calcium, Lime and Rust) Cleaner
 - Vinegar

**Note: Goof Off® and Goo Gone® are not recommended to remove stains.*

Maintenance Tips

To maximize the life of your fence address these areas:

- Adjust the gate every Spring — As a reminder, gate adjustments and leveling are normal care and maintenance items that the homeowner is responsible for.
- Oil the gate hinges and tighten the screws once a year.
- Do not let the gate swing in the wind. Keep it secured.
- Deter children from swinging on the gate.
- Re-tamp and realign loose posts.



barretteoutdoorliving.com